

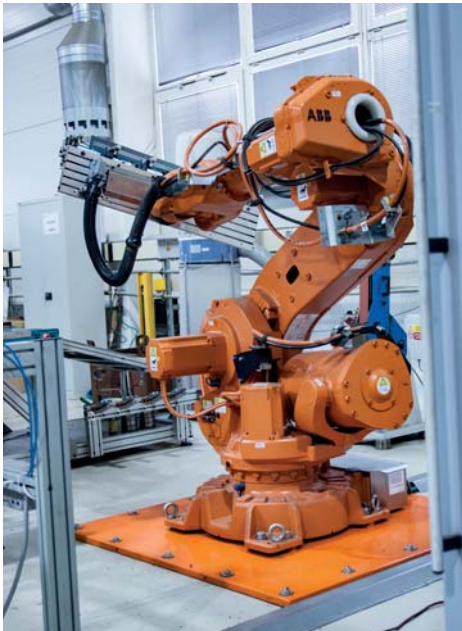
Alca PLAST®

Product catalogue 2019

SANITARY SYSTEMS



CZECH
PRODUCT



Content

| | | | |
|--|-----------|--|------------|
| PRE-WALL INSTALLATION SYSTEMS _____ | 9 | OUTDOOR DRAINAGE SYSTEM _____ | 99 |
| Pre-wall installation systems _____ | 10 | Outdoor drain channels _____ | 100 |
| Pre-wall installation systems for people with reduced mobility _____ | 18 | Universal rain drums _____ | 110 |
| Pre-wall installation systems Slim _____ | 19 | Universal rain drums – accessories _____ | 110 |
| Sanitary ware _____ | 20 | FLOOR DRAINS _____ | 113 |
| Pre-wall installation systems – accessories _____ | 20 | Stainless steel floor drains _____ | 114 |
| Insulation boards _____ | 23 | Floor drains with design grids _____ | 115 |
| Flush plates for pre-wall installation systems _____ | 26 | Floor drains with stainless steel grids _____ | 115 |
| Sensor program _____ | 30 | Floor drains with plastic grids _____ | 117 |
| Remote flushing _____ | 31 | Floor drains – parts _____ | 119 |
| Mounting frames for plumbing fixtures _____ | 34 | Waterproofing foil _____ | 120 |
| VALVES _____ | 41 | WASTES AND TRAPS _____ | 123 |
| Fill valves _____ | 42 | Bath wastes and traps _____ | 124 |
| Flush valves _____ | 43 | Shower wastes and traps _____ | 131 |
| Plastic WC cisterns _____ | 44 | Wash-basin wastes and traps _____ | 136 |
| Fill and flush kits _____ | 45 | Metal program _____ | 138 |
| Valves – accessories _____ | 47 | Sink wastes and traps _____ | 142 |
| WC SEATS _____ | 49 | Wash-basin and sink wastes and traps – accessories _____ | 147 |
| WC seats Antibacterial _____ | 52 | Urinal and bidet traps _____ | 150 |
| WC seats Basic _____ | 52 | Traps for dripping condensation _____ | 151 |
| WC seats Duroplast _____ | 54 | Washing machine traps _____ | 152 |
| WC seats SOFTCLOSE _____ | 56 | Washing machine traps – accessories _____ | 152 |
| WC seats SLIM _____ | 58 | FLEXI PIPES _____ | 155 |
| WC seats – hinges _____ | 60 | Flexi pipes PREMIUM _____ | 152 |
| LINEAR DRAINS _____ | 63 | Flexi pipes – accessories _____ | 157 |
| Linear shower drains _____ | 64 | WC ACCESSORIES _____ | 159 |
| Waste systems _____ | 74 | WC flexi connectors _____ | 160 |
| Corner shower drain _____ | 79 | WC connectors _____ | 160 |
| Linear shower drains Antivandal _____ | 80 | Air admittance heads _____ | 162 |
| Linear shower drains – accessories _____ | 81 | Bath access doors _____ | 163 |
| Plastic linear shower drains _____ | 82 | INDEX _____ | 169 |
| Stainless steel strips for sloped floor _____ | 81 | | |
| Swimming pool grates _____ | 86 | | |
| INDUSTRIAL STAINLESS STEEL DRAINAGE SYSTEM _____ | 89 | | |
| Box drains _____ | 90 | | |
| Slotted drains _____ | 92 | | |
| Drainage channels _____ | 94 | | |



New



For outdoor use



Diameter of the hole in the shower tray



Flushing system 2/4 I



For interior use



Material with antibacterial properties



Extended guarantee



For use indoors and outdoors



Simple removal system



One-button START/STOP system



System with connector for removing the extraction



WC seat slow-closing safety system



Flushing DUAL 3 I/6 I



Combined odour trap SMART



Load class

Czech tradition and world design together with us create Alcaplast



QUALITY CONTROL

The production process is controlled by the quality management system ISO 9001:2015 and is certified by Det Norske Veritas. The products are tested and certified by the Institute for Testing and Certification ITC Zlín in the Czech Republic and OFI in Austria. All products are continuously monitored in our own in house laboratory guaranteeing a high level of quality and reliability.

ALCA – A PREMIUM BRAND

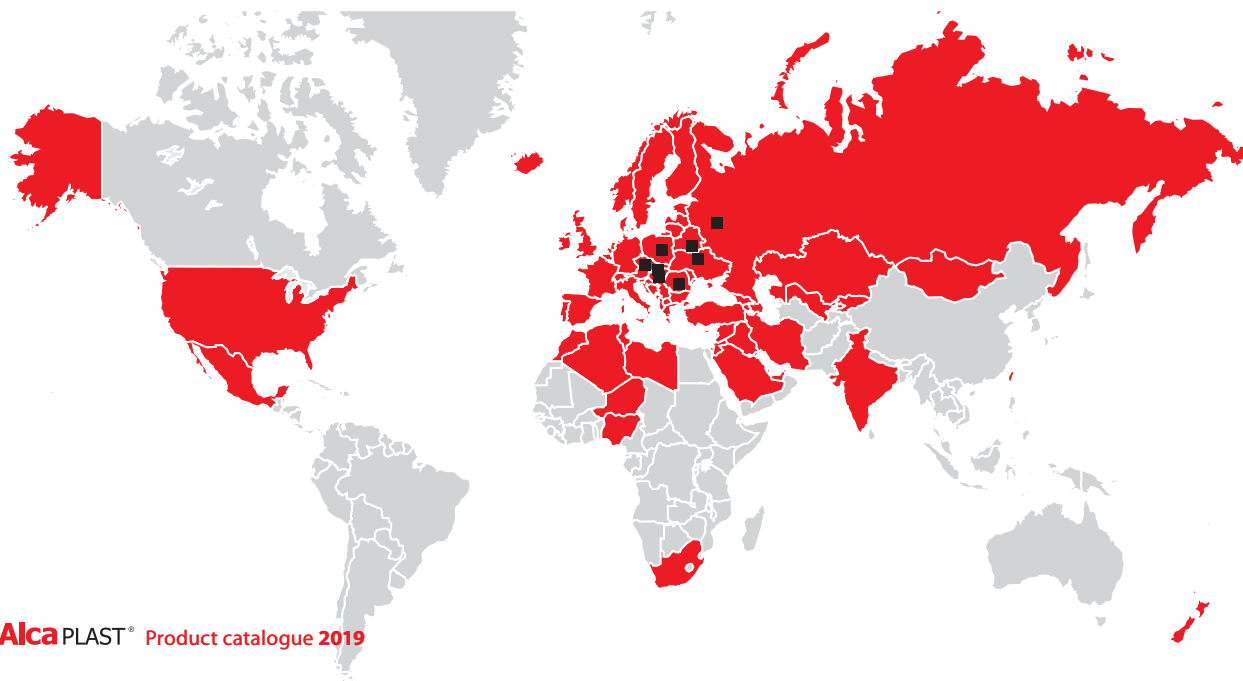
Premium brand ALCA represents a number of design products thoroughly elaborated with high utility value. Alcaplast is the creator of the new trends in sanitary technology. Our cooperation with leading Czech designers in creating new product lines has won us several prestigious awards.

COMPANY FOUNDATION

Alcaplast company was founded in 1998 by husband and wife Radka Prokopová and František Fabičovic. Since they have started manufacturing of the first inlet and outlet valves in Břeclav, they expanded and upgraded its portfolio of products significantly. Currently Alcaplast with its wide range of products fits into the role of market leader indicating trends on the field of sanitary systems in Central and Eastern Europe, with expansion into many other countries.

SEVEN INTERNATIONAL BRANCHES ALCAPLAST

We design our products so that they can simplify life across many countries. They are universal and they meet demanding international standards. Alcaplast distribution warehouses and sales teams in countries outside of the Czech Republic provide flexible communication and service to our customers.





FLUSH PLATES NIGHT LIGHT AND FLAT – WORLD DESIGN

Alcaplast is a trendsetter in the world of design. This is confirmed by two awards, which the company received in recent years. Prestigious iF Design Award 2018 evaluated the novelty – touch-free flush plate NIGHT LIGHT – the winner in the Product category of the Bathrooms section. Their predecessor, the collection of flush plates FLAT, was rewarded by the jury at the Red Dot Award product design competition in 2014.

CZECH PRODUCTS FROM CZECH ENGINEERS

Quality, technical solutions, innovation, design – these are the primary characteristics of Alcaplast products. High level of professionalism and skill of our Czech technicians is based on the historical tradition of Czech industry, which is over 100 years old, and renowned worldwide for its top quality products that are modern and extremely reliable.



Alca PLAST[®]

ALCAPLAST ACADEMY

The Alcaplast Academy was established in 2009. The training center was introduced to support education of Alcaplast customers based on the presentation and direct professional



training associated with our products. Alcaplast Academy was ranked second in the category of training centers in "Business Project 2010". Over 3,000 professionals pass through our training every year. They are a guarantee of professional installation and technical support in the market.

Alca PLAST[®] Academy

ŠKOLICÍ STŘEDISKO TRAINING CENTRE



CZECH 100 BEST COMPANIES

In 2017 we fulfilled the criteria for inclusion in the list of the 100 Best Companies in the Czech Republic. Our continued company development and growth has allowed us to maintain this status in 2018.

We make your life easier and more stylish for 20 years

1999

First inlet fill valve CH11



2000

2001

New production facilities



Introduction of premium product range ALCA

Alca PLAST® Academy

SKOLICI STREDISKO TRAINING CENTRE

2009



Alcaplast Academy was established to support education of customers



1999

Bath pop-up waste

2003

Launch of production of pre-wall installation systems



2009



Launch of production of stainless steel shower drains ALCA

1998

Alca PLAST®



COMPANY FOUNDATION

The Czech family based company was founded in 1998

Alca PLAST[®]



reddot award 2014
winner

We have been rewarded Red Dot Award 2014 for collection of flush plates FLAT

2015



Opening of production Hall D



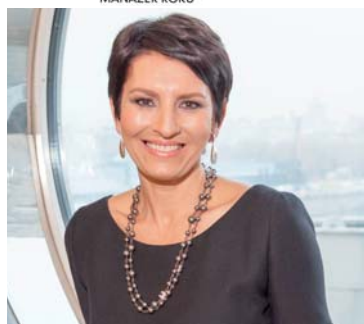
We have been rewarded iF Design Award 2018 for flush plates NIGHT LIGHT

2012



Opening of production Hall B

2016



Victory of our Executive Director Radka Prokopová in the most prestigious managerial competition in the Czech Republic "Manager of the Year 2015"



2018 Opening of Hall C



We opened the largest production hall in history of the company with an area of 20 000 m²

2017

**60 000 m²
production area**



CZECH 100 BEST

In 2017 we fulfilled the criteria for inclusion in the list of the 100 Best Companies in the Czech Republic. Our continued company development and growth has allowed us to maintain this status in 2018.



**SEVEN INTERNATIONAL BRANCHES ALCAPLAST
EXPORT TO MORE THAN 70 COUNTRIES WORLDWIDE**

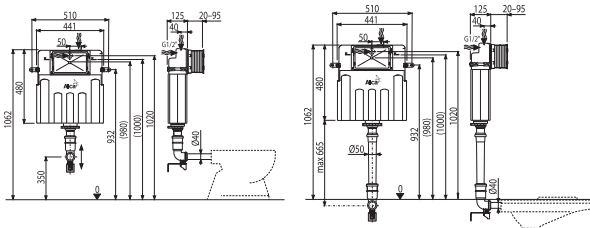


Pre-wall installation systems

| | |
|--|----|
| Pre-wall installation systems | 10 |
| Pre-wall installation systems for people with reduced mobility | 18 |
| Pre-wall installation systems Slim | 19 |
| Sanitary ware | 20 |
| Pre-wall installation systems – accessories | 20 |
| Insulation boards | 23 |
| Flush plates for pre-wall installation systems | 26 |
| Flush plates THIN | 28 |
| Basic flush plates | 28 |
| Flush plates FLAT | 29 |
| Flush plates FLAT ALUNOX | 29 |
| Flush plates FLAT INOX | 29 |
| Flush plates FLAT COLOUR | 29 |
| Flush plates FLAT GLASS | 29 |
| Flush plates FLAT BRONZE-ANTIC | 29 |
| Flush plates FLAT ALUNOX illuminated | 29 |
| Touch-free flush plates | 29 |
| Antivandal flush plates | 30 |
| Remote flushing | 31 |
| Sensor program | 30 |
| Flush plates with sensor | 30 |
| Automatic WC flushing systems | 30 |
| Automatic flushing systems for urinals | 30 |
| Sensor program power supply units | 32 |
| Mounting frames for plumbing fixtures | 34 |

AM112 Basicmodul

Wall concealed WC cistern

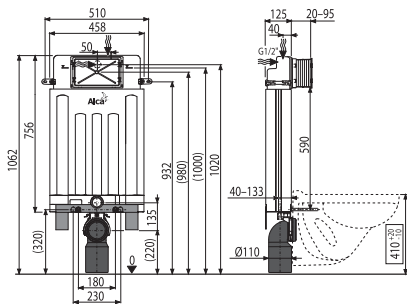


| | |
|--------------------|-----------------|
| Quantity (packing) | 1 pc |
| Quantity (pallet) | 20 pcs |
| Dimensions (piece) | 1050x480x140 mm |
| Weight (piece) | 4.5453 kg |
| Small/big flush | 2.5-3.5 l/6-9 l |
| Headroom | 1062 mm |



AM100/1000 Alcamodul

Pre-wall installation system for building into solid walls

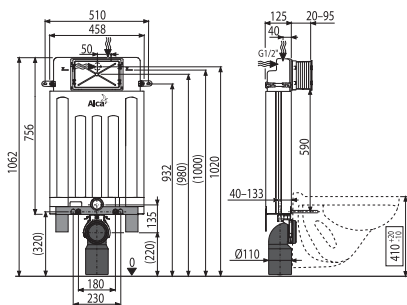


| | |
|--------------------|-----------------|
| Quantity (packing) | 1 pc |
| Quantity (pallet) | 20 pcs |
| Dimensions (piece) | 1045x140x475 mm |
| Weight (piece) | 7.48 kg |
| Small/big flush | 2.5-3.5 l/6-9 l |
| Headroom | 1062 mm |



AM100/1000E Alcamodul

Pre-wall installation system ECOLOGY for building into solid walls

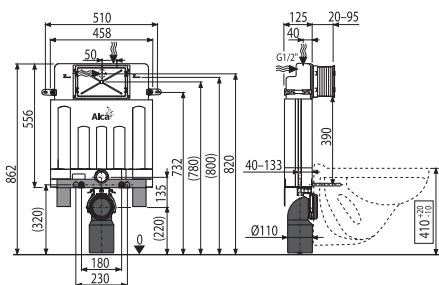


| | |
|--------------------|-----------------|
| Quantity (packing) | 1 pc |
| Quantity (pallet) | 20 pcs |
| Dimensions (piece) | 1045x140x475 mm |
| Weight (piece) | 7.2856 kg |
| Small/big flush | 2-4 l/3.5-6 l |
| Headroom | 1062 mm |



AM100/850 Alcamodul

Pre-wall installation system for building into solid walls

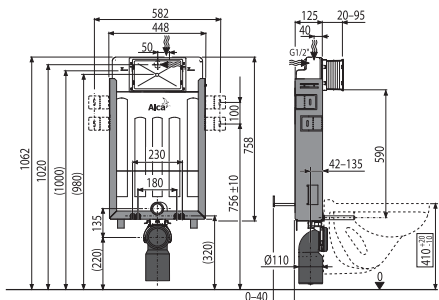


| | |
|--------------------|-----------------|
| Quantity (packing) | 1 pc |
| Quantity (pallet) | 20 pcs |
| Dimensions (piece) | 1045x140x475 mm |
| Weight (piece) | 7.0327 kg |
| Small/big flush | 2.5-3.5 l/6-9 l |
| Headroom | 862 mm |



AM115/1000 Renovmodul

Pre-wall installation system for building into solid walls

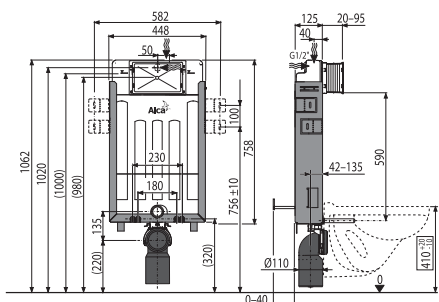


| | |
|--------------------|-----------------|
| Quantity (packing) | 1 pc |
| Quantity (pallet) | 20 pcs |
| Dimensions (piece) | 1045x140x475 mm |
| Weight (piece) | 9.7968 kg |
| Small/big flush | 2.5-3.5 l/6-9 l |
| Headroom | 1062 mm |



AM115/1000E Renovmodul

Pre-wall installation system ECOLOGY for building into solid walls

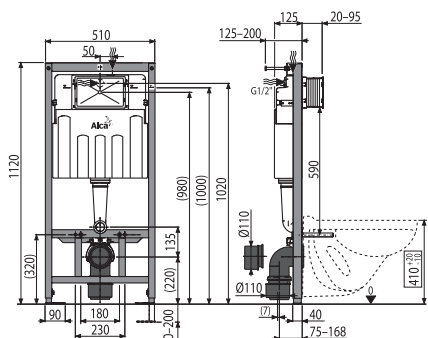


| | |
|--------------------|-----------------|
| Quantity (packing) | 1 pc |
| Quantity (pallet) | 20 pcs |
| Dimensions (piece) | 1045x140x475 mm |
| Weight (piece) | 9.8327 kg |
| Small/big flush | 2-4 l/3.5-6 l |
| Headroom | 1062 mm |



AM101/1120 Sádromodul

Pre-wall installation system for dry build up (plasterboard)



| | |
|--------------------|-----------------|
| Quantity (packing) | 1 pc |
| Quantity (pallet) | 15 pcs |
| Dimensions (piece) | 1130x145x520 mm |
| Weight (piece) | 13.8441 kg |
| Small/big flush | 2.5-3.5 l/6-9 l |
| Headroom | 1120 mm |

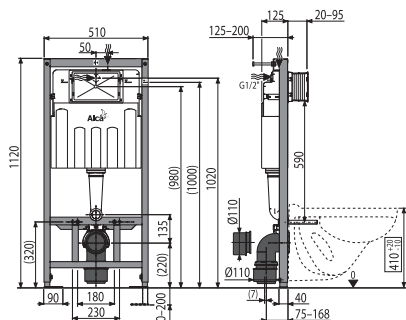


15

YEAR GUARANTEE

AM101/1120E Sádromodul

Pre-wall installation system ECOLOGY for dry build up (plasterboard)



| | |
|--------------------|-----------------|
| Quantity (packing) | 1 pc |
| Quantity (pallet) | 15 pcs |
| Dimensions (piece) | 1130x145x520 mm |
| Weight (piece) | 13.6405 kg |
| Small/big flush | 2-4 l/3.5-6 l |
| Headroom | 1120 mm |



ECOLOGY

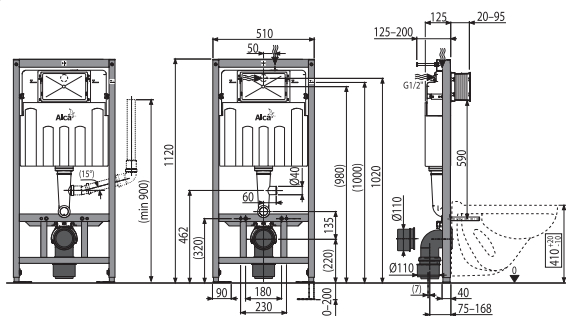
2/4 l

15

YEAR GUARANTEE

AM101/1120V Sádromodul

Pre-wall installation system with ventilation for dry build up (plasterboard)



| | |
|--------------------|-----------------|
| Quantity (packing) | 1 pc |
| Quantity (pallet) | 15 pcs |
| Dimensions (piece) | 1130x145x520 mm |
| Weight (piece) | 13.6676 kg |
| Small/big flush | 2.5-3.5 l/6-9 l |
| Headroom | 1120 mm |

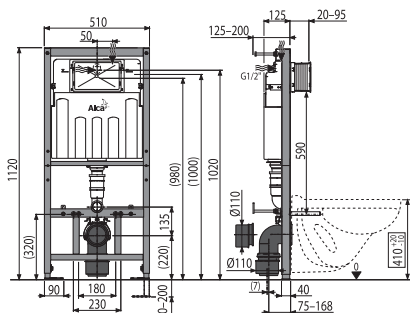


15

YEAR GUARANTEE

AM101/1120D Sádromodul

Pre-wall installation system buildable for dry build up (plasterboard)

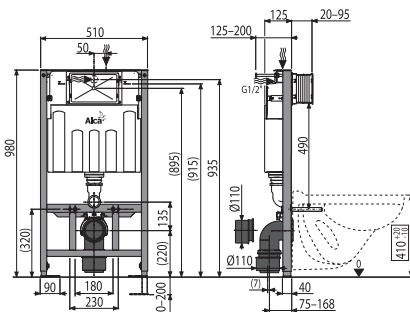


| | |
|--------------------|-----------------|
| Quantity (packing) | 1 pc |
| Quantity (pallet) | 15 pcs |
| Dimensions (piece) | 1130x145x520 mm |
| Weight (piece) | 15.6157 kg |
| Small/big flush | 2.5-3.5 l/6-9 l |
| Headroom | 1120 mm |



AM101/1000 Sádromodul

Pre-wall installation system for dry build up (plasterboard)

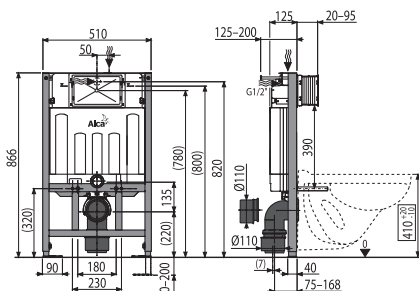


| | |
|--------------------|-----------------|
| Quantity (packing) | 1 pc |
| Quantity (pallet) | 15 pcs |
| Dimensions (piece) | 1130x145x520 mm |
| Weight (piece) | 13.3652 kg |
| Small/big flush | 2.5-3.5 l/6-9 l |
| Headroom | 1062 mm |



AM101/850 Sádromodul

Pre-wall installation system for dry build up (plasterboard)

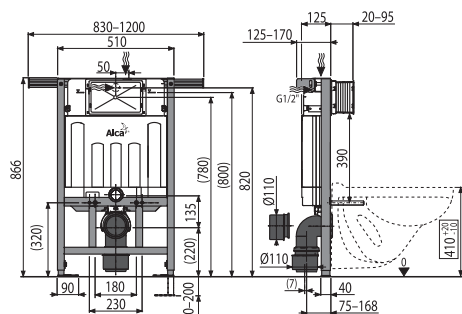


| | |
|--------------------|-----------------|
| Quantity (packing) | 1 pc |
| Quantity (pallet) | 15 pcs |
| Dimensions (piece) | 1130x145x520 mm |
| Weight (piece) | 13.0316 kg |
| Small/big flush | 2.5-3.5 l/6-9 l |
| Headroom | 866 mm |



AM102/850 Jádromodul

Pre-wall installation system for dry build up (especially for renovation of concrete panel housing units)

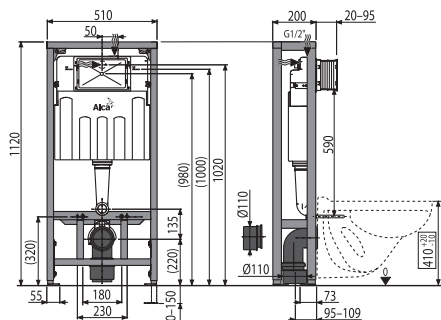


| | |
|--------------------|-----------------|
| Quantity (packing) | 1 pc |
| Quantity (pallet) | 15 pcs |
| Dimensions (piece) | 1130x145x520 mm |
| Weight (piece) | 15.6493 kg |
| Small/big flush | 2.5-3.5 l/6-9 l |
| Headroom | 866 mm |



AM116/1120 Solomodul

Pre-wall installation system for dry build up (self-supporting)



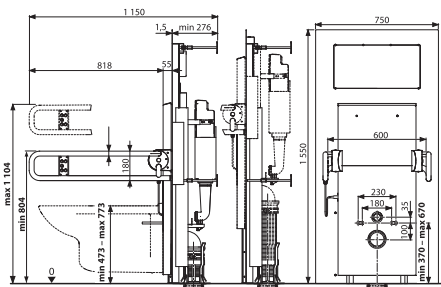
| | |
|--------------------|-----------------|
| Quantity (packing) | 1 pc |
| Quantity (pallet) | 15 pcs |
| Dimensions (piece) | 1195x220x525 mm |
| Weight (piece) | 20.5019 kg |
| Small/big flush | 2.5-3.5 l/6-9 l |
| Headroom | 1120 mm |



AM101/1500L MEDIC ASSISTANT

N

Pre-wall installation system for dry build up, height adjustable – for people with reduced mobility



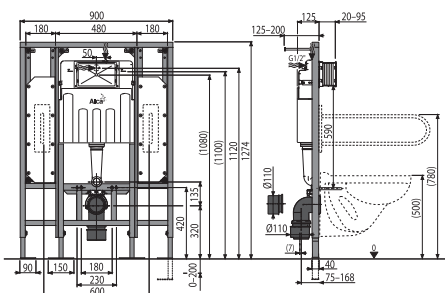
| | |
|--------------------|-----------------|
| Quantity (packing) | 1 pc |
| Quantity (pallet) | 1 pcs |
| Dimensions (piece) | 1686x835x654 mm |
| Weight (piece) | 105.802 kg |
| Small/big flush | 2-9 l/2-9 l |
| Headroom | 1550 mm |



15
YEAR GUARANTEE

AM101/1300H Sádromodul

Pre-wall installation system for dry build up (plasterboard) – for people with reduced mobility



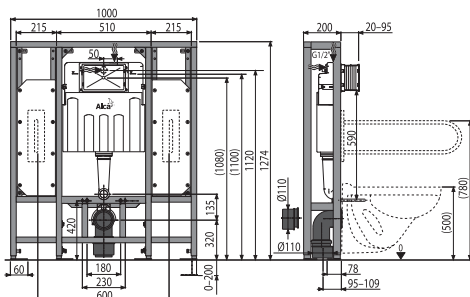
| | |
|--------------------|-----------------|
| Quantity (packing) | 1 pc |
| Quantity (pallet) | 10 pcs |
| Dimensions (piece) | 1195x145x520 mm |
| Weight (piece) | 30.9555 kg |
| Small/big flush | 2.5-3.5 l/6-9 l |
| Headroom | 1274 mm |



15
YEAR GUARANTEE

AM116/1300H Solomodul

Pre-wall installation system for dry build up (self-supporting) – for people with reduced mobility



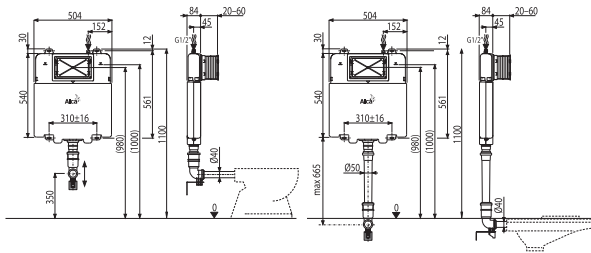
| | |
|--------------------|------------------|
| Quantity (packing) | 1 pc |
| Quantity (pallet) | 5 pcs |
| Dimensions (piece) | 1010x1285x210 mm |
| Weight (piece) | 46.0403 kg |
| Small/big flush | 2.5-3.5 l/6-9 l |
| Headroom | 1274 mm |



15
YEAR GUARANTEE

AM1112 Basicmodul Slim

Wall concealed WC cistern



| | |
|--------------------|----------------|
| Quantity (packing) | 1 pc |
| Quantity (pallet) | 20 pcs |
| Dimensions (piece) | 965x515x110 mm |
| Weight (piece) | 5.2697 kg |
| Small/big flush | 3 l/6 l |
| Headroom | 1100 mm |

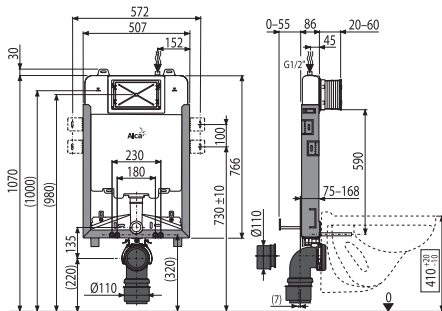


15

YEAR GUARANTEE

AM1115/1000 Renovmodul Slim

Pre-wall installation system for building into solid walls



| | |
|--------------------|-----------------|
| Quantity (packing) | 1 pc |
| Quantity (pallet) | 20 pcs |
| Dimensions (piece) | 1086x528x145 mm |
| Weight (piece) | 9.8337 kg |
| Small/big flush | 3 l/6 l |
| Headroom | 1070 mm |

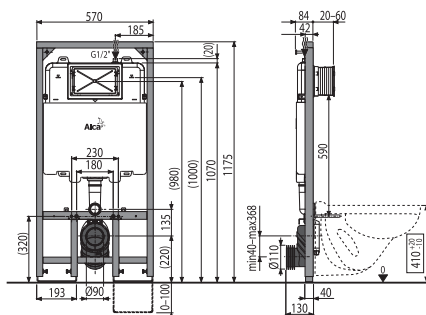


15

YEAR GUARANTEE

AM1101/1200 Sádromodul Slim

Pre-wall installation system for dry build up (plasterboard)



| | |
|--------------------|-----------------|
| Quantity (packing) | 1 pc |
| Quantity (pallet) | 15 pcs |
| Dimensions (piece) | 1210x140x590 mm |
| Weight (piece) | 16.4478 kg |
| Small/big flush | 3 l/6 l |
| Headroom | 1175 mm |



15

YEAR GUARANTEE

WC ALCA

Wall-hung WC



| | |
|--------------------|----------|
| Quantity (packing) | 1 pc |
| Quantity (pallet) | 12 pcs |
| Material | ceramics |

WS ALCA

Waste sink with cover grid



| | |
|--------------------|----------|
| Quantity (packing) | 1 pc |
| Quantity (pallet) | 12 pcs |
| Material | ceramics |

WC Alca MEDIC

Wall-hung WC for people with reduced mobility



| | |
|--------------------|----------|
| Quantity (packing) | 1 pc |
| Quantity (pallet) | 6 pcs |
| Material | ceramics |

WC RIMFLOW

Wall-hung WC



| | |
|--------------------|----------|
| Quantity (packing) | 1 pc |
| Quantity (pallet) | pcs |
| Material | ceramics |

AC01

Bidet TREND



| | |
|--------------------|----------|
| Quantity (packing) | 1 pc |
| Quantity (pallet) | 6 pcs |
| Material | ceramics |

P128

Extraction fan for pre-wall installation systems with ventilation



| | |
|--------------------|---------|
| Quantity (packing) | 7 pc |
| Quantity (pallet) | 112 pcs |
| Material | plastic |

P115

Water flow speed regulator



| | |
|--------------------|---------------|
| Quantity (packing) | 100 pcs |
| Quantity (pallet) | 3200 pcs |
| Material | polypropylene |

M9006

Elbow waste connector DN90/110 flexi



| | |
|--------------------|---------------|
| Quantity (packing) | 25 pcs |
| Quantity (pallet) | 400 pcs |
| Material | polypropylene |

P103

Water supply console



| | |
|--------------------|----------------------------|
| Quantity (packing) | 1 pcs |
| Quantity (pallet) | - pcs |
| Material | brass, powder-coated metal |

M906

Elbow waste connector set DN90/110



| | |
|--------------------|--------------|
| Quantity (packing) | 20 pcs |
| Quantity (pallet) | 320 pcs |
| Material | polyethylene |

M908

Elbow waste connector set DN90/90



| | |
|--------------------|--------------|
| Quantity (packing) | 20 pcs |
| Quantity (pallet) | 320 pcs |
| Material | polyethylene |

M907

Reduction set DN90/110



| | |
|--------------------|--------------|
| Quantity (packing) | 60 pcs |
| Quantity (pallet) | 960 pcs |
| Material | polyethylene |

M909

Double elbow 90° with sealing



| | |
|--------------------|--------------|
| Quantity (packing) | 10 pcs |
| Quantity (pallet) | 160 pcs |
| Material | polyethylene |

MS906

Elbow waste connector set DN90/110 Slim



| | |
|--------------------|---------|
| Quantity (packing) | 10 pcs |
| Quantity (pallet) | 160 pcs |
| Material | PVC |

M900

Accessories set



| | |
|--------------------|---------------------------------|
| Quantity (packing) | 15 pcs |
| Quantity (pallet) | 240 pcs |
| Material | polypropylene, galvanized metal |

M9000

Complete extended accessories to be used with WC for handicapped



| | |
|--------------------|---------------------------------|
| Quantity (packing) | 10 pcs |
| Quantity (pallet) | 160 pcs |
| Material | polypropylene, galvanized metal |

M901

Inlet seal + outlet + wrapping seal 45x58x25



| | |
|--------------------|---------------|
| Quantity (packing) | 50 pcs |
| Quantity (pallet) | 800 pcs |
| Material | polypropylene |

M147

Extended connector to be used with WC for handicapped



| | |
|--------------------|---------------|
| Quantity (packing) | 75 pcs |
| Quantity (pallet) | 2100 pcs |
| Material | polypropylene |

M902

Drainage seal + connector + connector seal



| | |
|--------------------|---------------|
| Quantity (packing) | 20 pcs |
| Quantity (pallet) | 320 pcs |
| Material | polypropylene |

M148

Complete extended accessories to be used with WC for handicapped



| | |
|--------------------|---------------|
| Quantity (packing) | 15 pcs |
| Quantity (pallet) | 240 pcs |
| Material | polypropylene |

M90

Legs for pre-wall installation systems



| | |
|--------------------|---------------------|
| Quantity (packing) | 1 pcs |
| Quantity (pallet) | – pcs |
| Material | powder-coated metal |

P118

Prolonged legs for pre-wall installation systems



| | |
|--------------------|---------------------|
| Quantity (packing) | 1 pcs |
| Quantity (pallet) | – pcs |
| Material | powder-coated metal |

M918

Adapter for corner installations



| | |
|--------------------|--|
| Quantity (packing) | 40 pcs |
| Quantity (pallet) | 1120 pcs |
| Material | plastic, galvanized metal, stainless steel |

M91

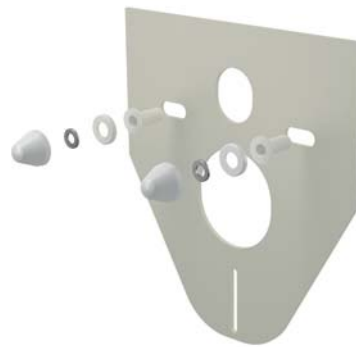
Noise insulation for wall-hung WC toilets and bidets



| | |
|--------------------|---------|
| Quantity (packing) | 150 pcs |
| Quantity (pallet) | 600 pcs |
| Material | XPLE |

M910

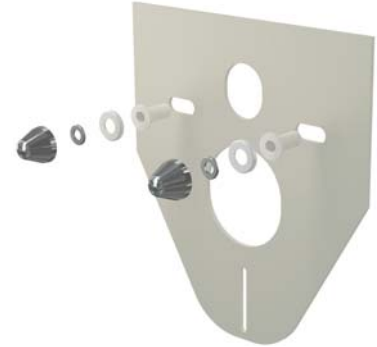
Noise insulation for wall-hung WC toilets and bidets with accessories including cover cap (white)



| | |
|--------------------|---------|
| Quantity (packing) | 50 pcs |
| Quantity (pallet) | 800 pcs |
| Material | XPLE |

M910CR

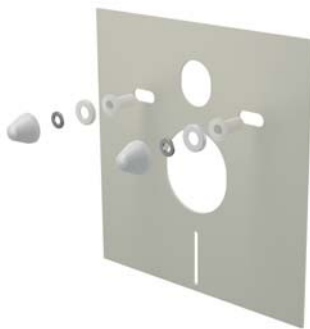
Noise insulation for wall-hung WC toilets and bidets with accessories including cover cap (chrome)



| | |
|--------------------|---------|
| Quantity (packing) | 50 pcs |
| Quantity (pallet) | 800 pcs |
| Material | XPLE |

M930

Noise insulation for wall-hung WC toilets and bidets with accessories including cover cap (white)



| | |
|--------------------|---------|
| Quantity (packing) | 50 pcs |
| Quantity (pallet) | 800 pcs |
| Material | XPLE |

M930CR

Noise insulation for wall-hung WC toilets and bidets with accessories including cover cap (chrome)



| | |
|--------------------|---------|
| Quantity (packing) | 50 pcs |
| Quantity (pallet) | 800 pcs |
| Material | XPLE |

M920

Noise insulation for floor standing WC toilets and bidets



| | |
|--------------------|---------|
| Quantity (packing) | 150 pcs |
| Quantity (pallet) | 600 pcs |
| Material | XPLE |

M940

Noise insulation for wall-hung wash-basins



| | |
|--------------------|---------|
| Quantity (packing) | 150 pcs |
| Quantity (pallet) | 600 pcs |
| Material | XPLE |



M950

Noise insulation for wall-hung urinals



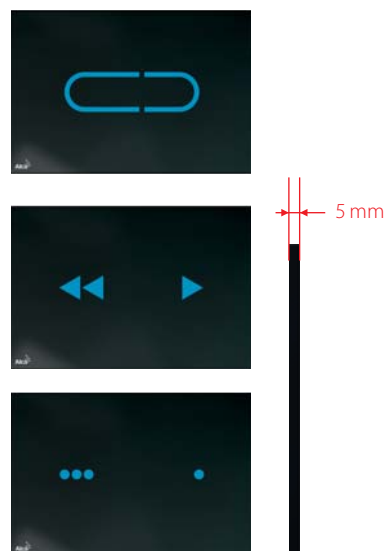
| | |
|--------------------|---------|
| Quantity (packing) | 60 pcs |
| Quantity (pallet) | 240 pcs |
| Material | XPLE |

PRE-WALL INSTALLATION SYSTEMS CHARACTERISTICS

| Code | ECOLOGY  | With ventilation  | Slim | For building into solid walls | For dry build up | With top or front actuation | For people with reduced mobility | Self-supporting / In front of supporting wall |
|----------------------------------|--|---|------|-------------------------------|------------------|-----------------------------|----------------------------------|---|
| Wall concealed WC cistern | | | | | | | | |
| AM112 | | | | ■ | | | | |
| AM1112 | | | ■ | ■ | | | | |
| Alcamodul | | | | | | | | |
| AM100/1000 | | | | ■ | | | | |
| AM100/1000E | ■ | | | ■ | | | | |
| AM100/850 | | | | ■ | | | | |
| Sádro modul | | | | | | | | |
| AM101/1000 | | | | | ■ | | | |
| AM101/1000E | ■ | | | | ■ | | | |
| AM101/1120 | | | | | ■ | | | |
| AM101/1120D | | | | | ■ | | | |
| AM101/1120E | ■ | | | | ■ | | | |
| AM101/1120V | | ■ | | | ■ | | | |
| AM101/1120ZN | | | | | ■ | | | |
| AM101/1300H | | | | | ■ | | ■ | |
| AM101/850 | | | | | ■ | | | |
| AM1101/1200 | | | ■ | | ■ | | | |
| AM118/1000 | | | | | ■ | ■ | | |
| AM118/850 | | | | | ■ | ■ | | |
| Jádro modul | | | | | | | | |
| AM102/1000 | | | | | | | | |
| AM102/1120 | | | | | | | | |
| AM102/1120E | ■ | | | | | | | |
| AM102/1120V | | ■ | | | | | | |
| AM102/850 | | | | | | | | |
| Renovomodul | | | | | | | | |
| AM115/1000 | | | | ■ | | | | |
| AM115/1000E | ■ | | | ■ | | | | |
| AM115/1000V | | ■ | | ■ | | | | |
| AM1115/1000 | | | ■ | ■ | | | | |
| AM119/1000 | | | | ■ | | ■ | | |
| AM119/850 | | | | ■ | | ■ | | |
| Solomodul | | | | | | | | |
| AM116/1120 | | | | | ■ | | | ■ |
| AM116/1300H | | | | | ■ | | ■ | ■ |
| MEDIC ASSISTANT | | | | | | | | |
| AM101/1500L | | | | | | | ■ | ■ |

Touch-free flush plates

We introduce our new touch-free flush plates NIGHT LIGHT, the winner of the international competition iF Design Award 2018 in the Product category of the Bathrooms section. Three design variants and sophisticated system of backlight settings and other parameters enables a unique look to any bathroom or toilet.



Barbra Škorpilová

Architect, designer and the creator of the FLAT flush plates, NIGHT LIGHT and M370–M475 for Alcaplast, Barbra is today known for her association with the MIMOLIMIT studio which she founded in 2001.



reddot award 2014
winner

Flush plates FLAT



Elegant and beautiful – this is the right characteristic of the flush plates FLAT. They were designed for the most demanding customers. They meet the demands of modern interior design by their original and clean lines which match the other elements in the bathroom.

The mechanism is fully recessed into the wall, so the flush plate effectively merges with the surrounding tiles. The plate itself is made of brushed metal, on which fingerprints are not visible. Furthermore, the FLAT flush plates are fully compatible with all our ALCA pre-wall installation systems.

Flush plates FLAT won in a prestigious product-design competition Red Dot Award 2014.

Flush plates THIN



Introducing the new flush plates labeled THIN, which thanks to its flat profile stand out only five millimeters above the tiles. Series flush plates THIN is available in five colours from the traditional white, through the favourite chrome, extravagant gold to black-matt finish. Two new series of flush plates with round design complement the square shapes of the previous range. It's only up to you to choose the right ring color.



N THIN (THICKNESS 5 MM)

FROM 4/2019



M770 White/chrome-polished



M771 Chrome-polished/chrome-matt



M772 Chrome-matt/chrome-polished



M778 Black-matt/chrome-polished



M775 White/gold

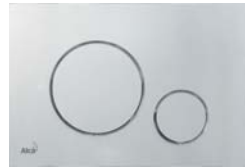
FROM 3/2019



M670 White



M671 Chrome-polished



M672 Chrome-matt



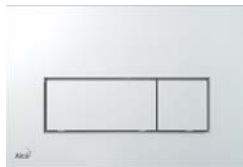
M678 Black-matt



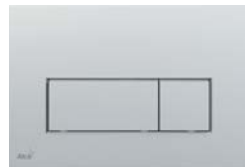
M675 Gold



M570 White



M571 Chrome-polished



M572 Chrome-matt



M578 Black-matt



M575 Gold

BASIC



M70 White



M71 Chrome-polished



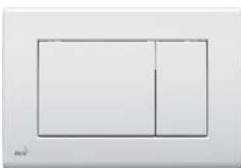
M72 Chrome-matt



M73 Chrome-polished/matt



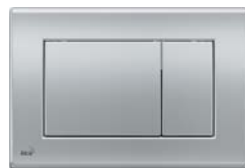
M75 Gold



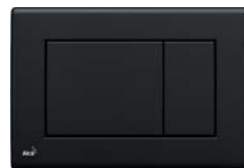
M270 White



M271 Chrome-polished



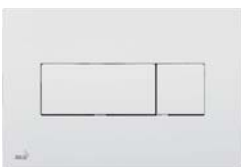
M272 Chrome-matt



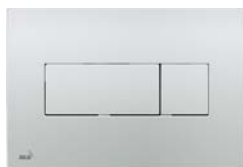
M278 Black-matt



M275 Gold



M370 White



M371 Chrome-polished



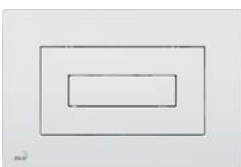
M372 Chrome-matt



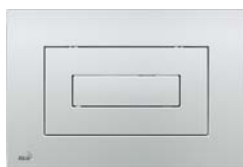
M378 Black



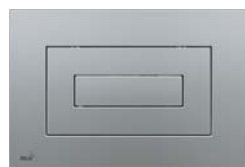
M375 Gold



M470 White



M471 Chrome-polished



M472 Chrome-matt



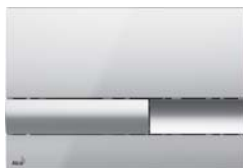
M478 Black



M475 Gold

BASIC

M1710 White

M1710-8 White/black

M1741 Chrome-polished

M1718 Black

M1713 Chrome-polished/
matt

M1720-1 White/chrome-
polished

M1721 Chrome-polished

M1722 Chrome-matt

M1728-2 Black/chrome-matt

M1725 Gold

| | |
|----------------------|---------|
| Quantity (packing) | 25 pcs |
| Quantity (pallet) | 700 pcs |
| BASIC, THIN material | plastic |

FLAT ALUNOX (ALUMINUM) / FLAT INOX (STAINLESS STEEL)

TURN Alunox-matt/polished

TURN-INOX Inox-semi matt/
polished

STING Alunox-matt/polished

STING-INOX Inox-semi matt/
polished

FUN Alunox-matt

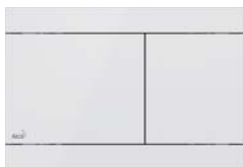
FUN-INOX Inox-semi matt

STRIPE Alunox-matt/polished

STRIPE-INOX Inox-semi matt/
polished

AIR Alunox-matt

AIR-INOX Inox-semi matt

FLAT COLOUR (COLOUR HIGH GLOSS)

FUN-WHITE Inox-white
polished

STRIPE-WHITE Inox-white
polished

STRIPE-BLACK Inox-black
polished

STRIPE-GL1200 Glass-white

STRIPE-GL1204 Glass-black

FLAT GLASS (GLASS)
AIR LIGHT (ALUMINUM WITH ILLUMINATION)

AIR LIGHT Alunox-matt

FLAT ANTIC (BRONZE-ANTIC)

FUN-ANTIC Bronze-antic

| | |
|----------------------------|--|
| Quantity (packing) | 10 pcs |
| Quantity (pallet) | 280 pcs |
| FLAT ALUNOX material | anodized aluminum, stainless steel |
| FLAT COLOUR material | stainless steel, painted colour finish |
| FLAT GLASS material | stainless steel, glass |
| AIR LIGHT material | anodized aluminum, stainless steel |
| FLAT BRONZE-ANTIC material | brass with bronze-antic finish |

TOUCH-FREE (GLASS)

NIGHT LIGHT-1
Glass-black

NIGHT LIGHT-1-SLIM Glass-black

NIGHT LIGHT-2
Glass-black

NIGHT LIGHT-2-SLIM Glass-black

NIGHT LIGHT-3
Glass-black

NIGHT LIGHT-3-SLIM Glass-black

| | |
|--------------------|--------|
| Quantity (packing) | 6 pcs |
| Quantity (pallet) | 96 pcs |
| Material | glass |



ANTIVANDAL



M279 Metal



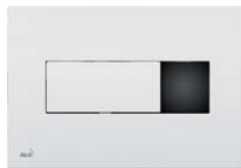
M279S Metal (AC power supply)

M279SB Metal (DC battery operated)

M279S-SLIM Metal (AC power supply)



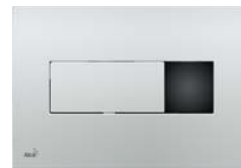
WITH SENSOR



M370S White (AC power supply)

M370SB White (DC battery operated)

M370S-SLIM White (AC power supply)



M371S Chrome-polished (AC power supply)

M371SB Chrome-polished (DC battery operated)

M371S-SLIM Chrome-polished (AC power supply)



| | |
|--------------------|-----------------|
| Quantity (packing) | 10 pcs |
| Quantity (pallet) | 280 pcs |
| Material | stainless steel |

| | |
|--------------------|---------|
| Quantity (packing) | 10 pcs |
| Quantity (pallet) | 160 pcs |
| Material | plastic |

ASP3

Automatic WC flushing system, chrome, 12 V (AC power supply)

ASP3-B

Automatic WC flushing system, chrome, 6 V (DC battery operated)



| | |
|--------------------|---|
| Quantity (packing) | 12 pcs |
| Quantity (pallet) | 192 pcs |
| Material | stainless steel, chrome-plated plastic |

ASP3-K

Automatic WC flushing system, metal, 12 V (AC power supply)

ASP3-KB

Automatic WC flushing system, metal, 6 V (DC battery operated)



| | |
|--------------------|-----------------|
| Quantity (packing) | 12 pcs |
| Quantity (pallet) | 192 pcs |
| Material | stainless steel |

ASP3-KT

Automatic WC flushing system, metal, manual, 12 V (AC power supply)

ASP3-KBT

Automatic WC flushing system, metal, manual, 6 V (DC battery operated)



| | |
|--------------------|-----------------|
| Quantity (packing) | 12 pcs |
| Quantity (pallet) | 192 pcs |
| Material | stainless steel |

ASP4

Automatic flushing system for urinal, chrome, 12 V (AC power supply)

ASP4-B

Automatic flushing system for urinal, chrome, 6 V (DC battery operated)



| | |
|--------------------|---|
| Quantity (packing) | 16 pcs |
| Quantity (pallet) | 256 pcs |
| Material | stainless steel, chrome-plated plastic |

ASP4-K

Automatic flushing system for urinal, metal, 12 V (AC power supply)

ASP4-KB

Automatic flushing system for urinal, metal, 6 V (DC battery supply)



| | |
|--------------------|-----------------|
| Quantity (packing) | 16 pcs |
| Quantity (pallet) | 256 pcs |
| Material | stainless steel |

ASP4-KT

Automatic flushing system for urinal, metal, manual, 12 V (AC power supply)



| | |
|--------------------|-----------------|
| Quantity (packing) | 16 pcs |
| Quantity (pallet) | 256 pcs |
| Material | stainless steel |

MPO10

Remote pneumatic flush for hand operation, white, installation: into the wall



| | |
|--------------------|--------------------|
| Quantity (packing) | 10 pcs |
| Quantity (pallet) | 160 pcs |
| Material | ABS, polypropylene |

MPO11

Remote pneumatic flush for hand operation, chrome-polished, installation: into the wall



| | |
|--------------------|-----------------------|
| Quantity (packing) | 10 pcs |
| Quantity (pallet) | 160 pcs |
| Material | chrome-plated plastic |

MPO12

Remote pneumatic flush for foot operation, metal, installation: into the floor



| | |
|--------------------|-------------------------------------|
| Quantity (packing) | 10 pcs |
| Quantity (pallet) | 160 pcs |
| Material | stainless steel, ABS, polypropylene |

MPO13

Remote pneumatic flush for foot operation, metal, installation: onto the wall



| | |
|--------------------|-------------------------------------|
| Quantity (packing) | 10 pcs |
| Quantity (pallet) | 160 pcs |
| Material | stainless steel, ABS, polypropylene |

P120

Cover plate for pre-wall installation systems, alunox-matt



| | |
|--------------------|-------------------|
| Quantity (packing) | 25 pcs |
| Quantity (pallet) | 700 pcs |
| Material | anodized aluminum |

AEZ310

Power supply 230 V AC/12 V DC/12 W, IP20



Quantity (packing) 1 pc
Quantity (pallet) – pcs

AEZ311

Power supply 230 V AC/12 V DC/30 W, IP20



Quantity (packing) 1 pc
Quantity (pallet) – pcs

AEZ320

Power supply 230 V AC/12 V DC/18 W, IP67



Quantity (packing) 1 pc
Quantity (pallet) – pcs

AEZ331

Battery for flush plates with sensors



Quantity (packing) 1 pc
Quantity (pallet) – pcs

AEZ340

Battery charger AEZ331



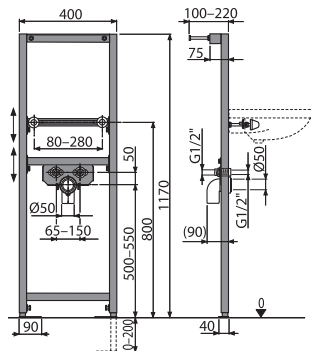
Quantity (packing) 1 pc
Quantity (pallet) – pcs

POWER SOURCE LOAD TABLE

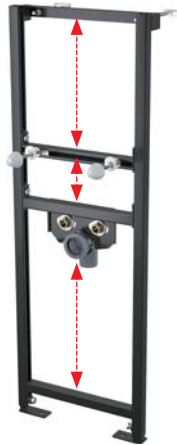
| Title | | Code | | Title | | Code | |
|---|------------------------------------|--------|------|--------|---|------|-----------------|
| Sensor flush plates (AC power supply) | M279S, M370S, M371S | 710 mA | 12 V | 8,52 W | 10 VA | 12 V | AEZ310 |
| Sensor flush plates (AC power supply)SLIM | M279S-SLIM, M370S-SLIM, M371S-SLIM | 710 mA | 12 V | 8,52 W | 30 VA | 12 V | AEZ311 |
| Sensor urinals (AC power supply) | ASP4, ASP4-K, ASP4-KT | 710 mA | 12 V | 8,52 W | 18 VA | 12 V | AEZ320 |
| Sensor WC (AC power supply) | ASP3, ASP3-K, ASP3-KT | 710 mA | 12 V | 8,52 W | 1,3 Ah | 6 V | AEZ331 + AEZ340 |
| Sensor flush plates (DC battery operated) | M279SB, M370SB, M371SB | 370 mA | 6 V | 2,22 W | Battery for flush plates with sensors Battery charger AEZ331 | | |
| Sensor urinals (DC battery operated) | ASP4-B, ASP4-KB | 370 mA | 6 V | 2,22 W | | | |
| Sensor WC (DC battery operated) | ASP3-B, ASP3-KB, ASP3-KBT | 370 mA | 6 V | 2,22 W | | | |
| AIR LIGHT – White | AEZ110 | 250 mA | 12 V | 3,0 W | | | |
| AIR LIGHT – Blue | AEZ111 | 240 mA | 12 V | 2,9 W | | | |
| AIR LIGHT – Green | AEZ112 | 250 mA | 12 V | 3,0 W | | | |
| AIR LIGHT – Red | AEZ113 | 250 mA | 12 V | 3,0 W | | | |
| AIR LIGHT – Rainbow | AEZ114 | 610 mA | 12 V | 7,3 W | | | |
| ALCA LIGHT – White | AEZ120 | | 12 V | 5,0 W | | | |
| ALCA LIGHT – Blue | AEZ121 | | 12 V | 5,0 W | | | |
| ALCA LIGHT – Green | AEZ122 | | 12 V | 5,0 W | | | |
| ALCA LIGHT – Red | AEZ123 | | 12 V | 5,0 W | | | |
| ALCA LIGHT – Rainbow | AEZ124 | | 12 V | 12,0 W | | | |

A104/1200

Mounting frame for wash-basin

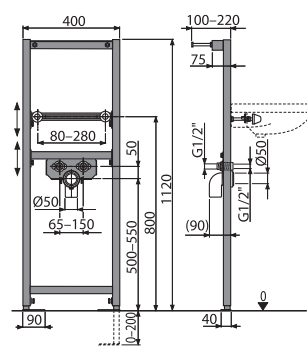


| | |
|--------------------|----------------|
| Quantity (packing) | 1 pc |
| Quantity (pallet) | 30 pcs |
| Dimensions (piece) | 1195x410x82 mm |
| Weight (piece) | 8.2992 kg |
| Headroom | 1170 mm |

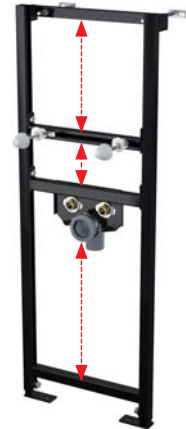


A104/1120

Mounting frame for wash-basin

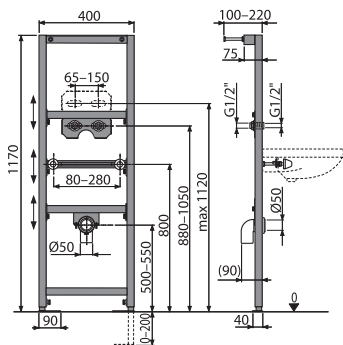


| | |
|--------------------|----------------|
| Quantity (packing) | 1 pc |
| Quantity (pallet) | 30 pcs |
| Dimensions (piece) | 1195x82x410 mm |
| Weight (piece) | 5.4278 kg |
| Headroom | 1120 mm |



A104A/1200

Mounting frame for wash-basin and faucet

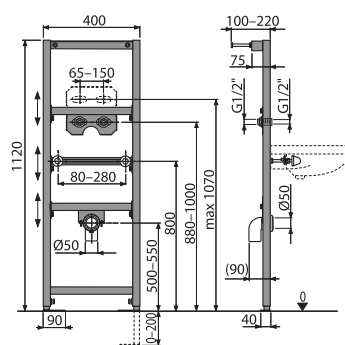


| | |
|--------------------|----------------|
| Quantity (packing) | 1 pc |
| Quantity (pallet) | 30 pcs |
| Dimensions (piece) | 1195x410x82 mm |
| Weight (piece) | 9.12 kg |
| Headroom | 1170 mm |



A104A/1120

Mounting frame for wash-basin and faucet

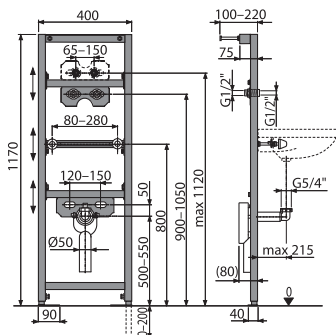


| | |
|--------------------|----------------|
| Quantity (packing) | 1 pc |
| Quantity (pallet) | 30 pcs |
| Dimensions (piece) | 1195x82x410 mm |
| Weight (piece) | 6.228 kg |
| Headroom | 1120 mm |



A104AVS/1200

Mounting frame for wash-basin and faucet with built-in trap

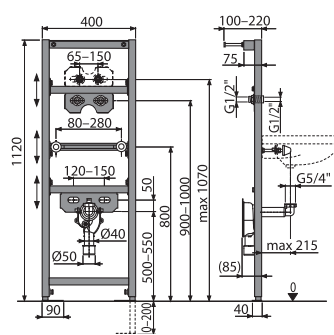


| | |
|--------------------|----------------|
| Quantity (packing) | 1 pc |
| Quantity (pallet) | 30 pcs |
| Dimensions (piece) | 1195x410x82 mm |
| Weight (piece) | 9.503 kg |
| Headroom | 1170 mm |



A104AVS/1120

Mounting frame for wash-basin and faucet with built-in trap

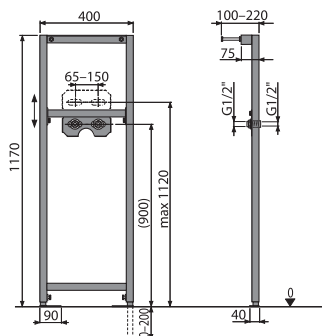


| | |
|--------------------|----------------|
| Quantity (packing) | 1 pc |
| Quantity (pallet) | 30 pcs |
| Dimensions (piece) | 1195x82x410 mm |
| Weight (piece) | 6.614 kg |
| Headroom | 1120 mm |

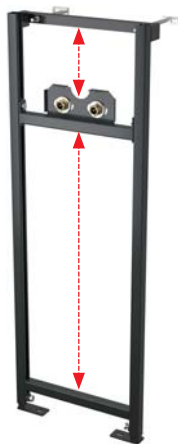


A104B/1200

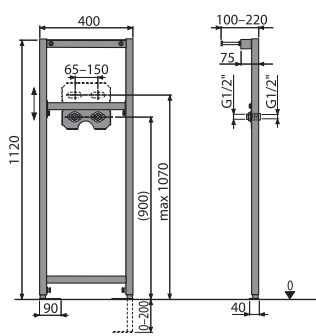
Mounting frame for faucet



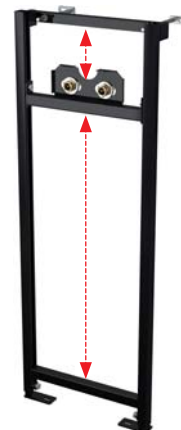
| | |
|--------------------|----------------|
| Quantity (packing) | 1 pc |
| Quantity (pallet) | 30 pcs |
| Dimensions (piece) | 1195x410x82 mm |
| Weight (piece) | 2.2264 kg |
| Headroom | 1170 mm |


A104B/1120

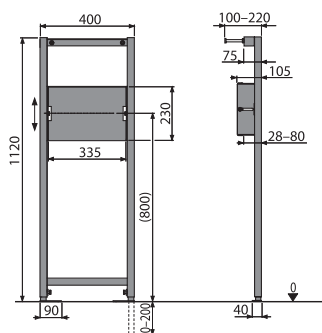
Mounting frame for faucet



| | |
|--------------------|----------------|
| Quantity (packing) | 1 pc |
| Quantity (pallet) | 30 pcs |
| Dimensions (piece) | 1195x82x410 mm |
| Weight (piece) | 4.3765 kg |
| Headroom | 1120 mm |


A104PB/1120

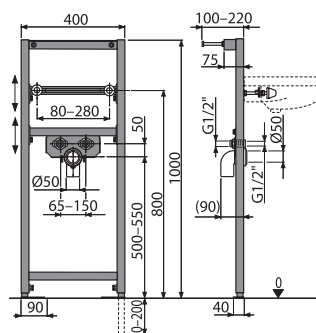
Mounting frame for built-in mixer



| | |
|--------------------|----------------|
| Quantity (packing) | 1 pc |
| Quantity (pallet) | 30 pcs |
| Dimensions (piece) | 1195x410x82 mm |
| Weight (piece) | 4.7348 kg |
| Headroom | 1120 mm |


A104/1000

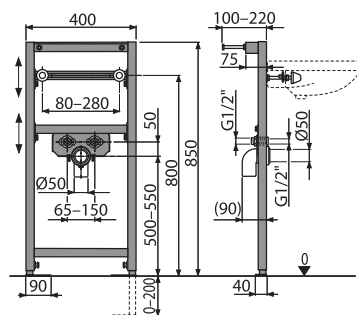
Mounting frame for wash-basin



| | |
|--------------------|----------------|
| Quantity (packing) | 1 pc |
| Quantity (pallet) | 30 pcs |
| Dimensions (piece) | 1195x410x82 mm |
| Weight (piece) | 7.8799 kg |
| Headroom | 1000 mm |


A104/850

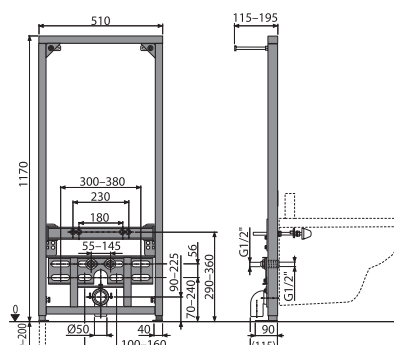
Mounting frame for wash-basin



| | |
|--------------------|----------------|
| Quantity (packing) | 1 pc |
| Quantity (pallet) | 30 pcs |
| Dimensions (piece) | 1195x410x82 mm |
| Weight (piece) | 5.9232 kg |
| Headroom | 850 mm |


A105/1200

Mounting frame for bidet

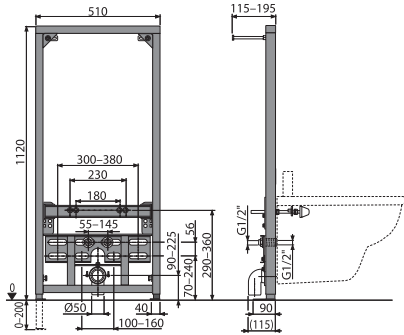


| | |
|--------------------|----------------|
| Quantity (packing) | 1 pc |
| Quantity (pallet) | 20 pcs |
| Dimensions (piece) | 1190x523x90 mm |
| Weight (piece) | 11.7195 kg |
| Headroom | 1170 mm |



A105/1120

Mounting frame for bidet

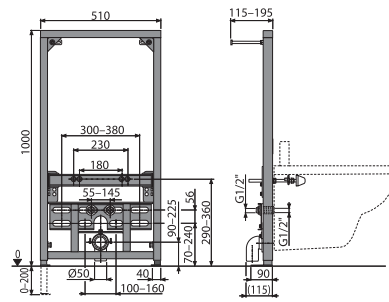


| | |
|--------------------|----------------|
| Quantity (packing) | 1 pc |
| Quantity (pallet) | 18 pcs |
| Dimensions (piece) | 1190x90x523 mm |
| Weight (piece) | 11.8373 kg |
| Headroom | 1120 mm |



A105/1000

Mounting frame for bidet

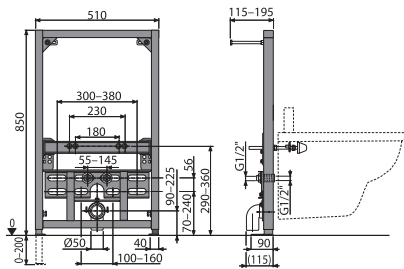


| | |
|--------------------|----------------|
| Quantity (packing) | 1 pc |
| Quantity (pallet) | 20 pcs |
| Dimensions (piece) | 1190x523x90 mm |
| Weight (piece) | 10.9313 kg |
| Headroom | 1000 mm |



A105/850

Mounting frame for bidet

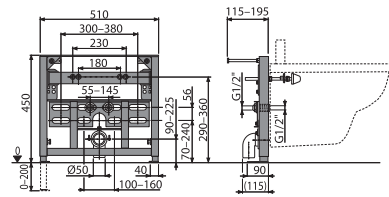


| | |
|--------------------|----------------|
| Quantity (packing) | 1 pc |
| Quantity (pallet) | 20 pcs |
| Dimensions (piece) | 1190x523x90 mm |
| Weight (piece) | 10.4653 kg |
| Headroom | 850 mm |



A105/450

Mounting frame for bidet

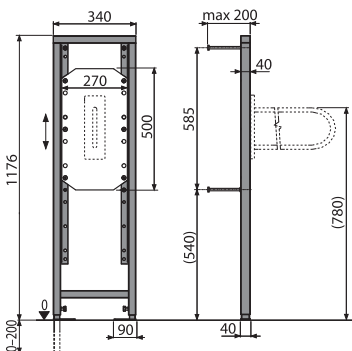


| | |
|--------------------|---------------|
| Quantity (packing) | 1 pc |
| Quantity (pallet) | 20 pcs |
| Dimensions (piece) | 520x450x90 mm |
| Weight (piece) | 8.724 kg |
| Headroom | 450 mm |



A106/1200

Mounting frame for handle

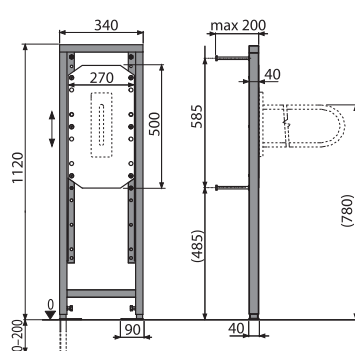


| | |
|--------------------|----------------|
| Quantity (packing) | 1 pc |
| Quantity (pallet) | 30 pcs |
| Dimensions (piece) | 1195x410x82 mm |
| Weight (piece) | 11.2411 kg |
| Headroom | 1176 mm |



A106/1120

Mounting frame for handle

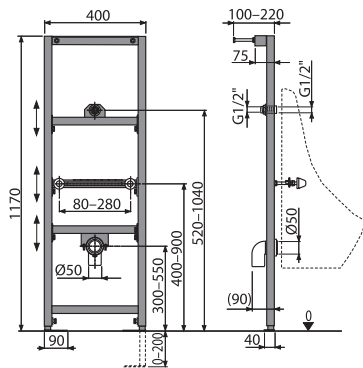


| | |
|--------------------|----------------|
| Quantity (packing) | 1 pc |
| Quantity (pallet) | 30 pcs |
| Dimensions (piece) | 1195x410x82 mm |
| Weight (piece) | 11.2151 kg |
| Headroom | 1120 mm |



A107/1200

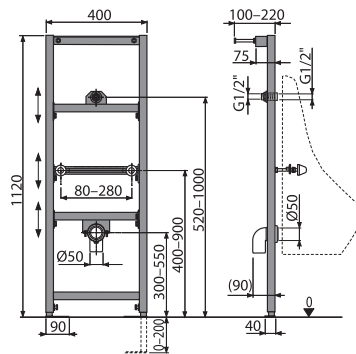
Mounting frame for urinal



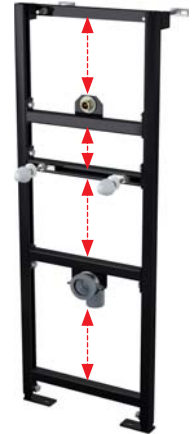
| | |
|--------------------|----------------|
| Quantity (packing) | 1 pc |
| Quantity (pallet) | 30 pcs |
| Dimensions (piece) | 1195x410x82 mm |
| Weight (piece) | 8.7329 kg |
| Headroom | 1170 mm |


A107/1120

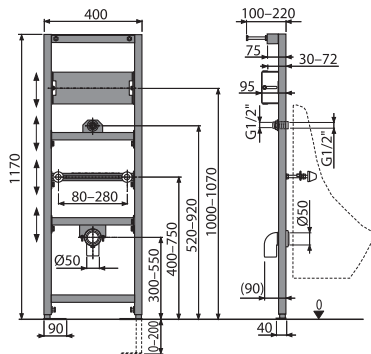
Mounting frame for urinal



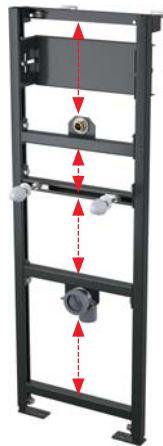
| | |
|--------------------|----------------|
| Quantity (packing) | 1 pc |
| Quantity (pallet) | 30 pcs |
| Dimensions (piece) | 1195x82x410 mm |
| Weight (piece) | 5.8706 kg |
| Headroom | 1120 mm |


A107S/1200

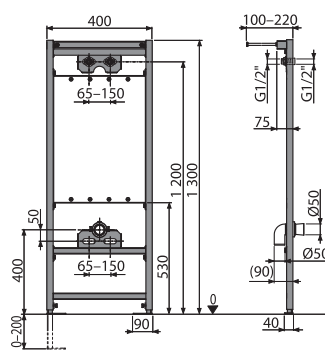
Mounting frame for urinal and sensor



| | |
|--------------------|----------------|
| Quantity (packing) | 1 pc |
| Quantity (pallet) | 30 pcs |
| Dimensions (piece) | 1195x410x82 mm |
| Weight (piece) | 9.9233 kg |
| Headroom | 1170 mm |


A108/1300

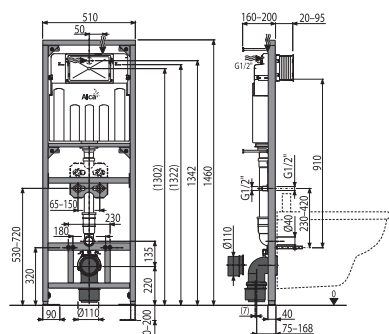
Mounting frame for waste sink and faucet



| | |
|--------------------|----------------|
| Quantity (packing) | 1 pc |
| Quantity (pallet) | 30 pcs |
| Dimensions (piece) | 1195x510x82 mm |
| Weight (piece) | 12.8705 kg |
| Headroom | 1300 mm |


A108F/1500

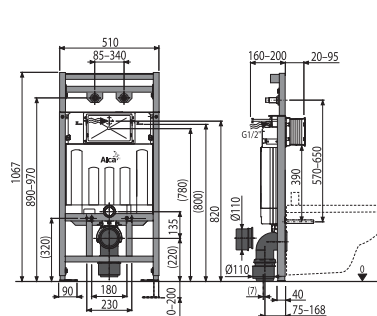
Mounting frame with cistern for a waste sink with waste connection DN90/110 and faucet



| | |
|--------------------|-----------------|
| Quantity (packing) | 1 pc |
| Quantity (pallet) | 10 pcs |
| Dimensions (piece) | 1460x155x530 mm |
| Weight (piece) | 17.3481 kg |
| Headroom | 1460 mm |


A108F/1100

Mounting frame with cistern for a waste sink with waste connection DN90/110 and faucet

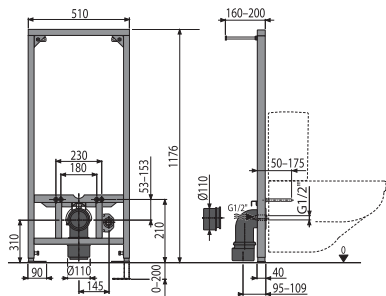


| | |
|--------------------|-----------------|
| Quantity (packing) | 1 pc |
| Quantity (pallet) | 15 pcs |
| Dimensions (piece) | 1195x145x530 mm |
| Weight (piece) | 15.8606 kg |
| Headroom | 1067 mm |



A113/1200

Mounting frame for wall-hung WC combi

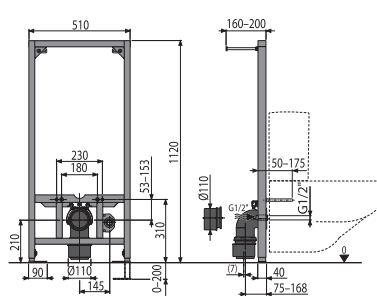


| | |
|--------------------|-----------------|
| Quantity (packing) | 1 pc |
| Quantity (pallet) | 15 pcs |
| Dimensions (piece) | 1195x530x145 mm |
| Weight (piece) | 11.2567 kg |
| Headroom | 1176 mm |



A113/1120

Mounting frame for wall-hung WC combi

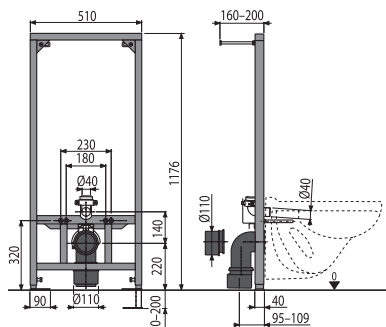


| | |
|--------------------|-----------------|
| Quantity (packing) | 1 pc |
| Quantity (pallet) | 15 pcs |
| Dimensions (piece) | 1195x145x530 mm |
| Weight (piece) | 11.1765 kg |
| Headroom | 1120 mm |



A114/1200

Mounting frame for wall-hung WC

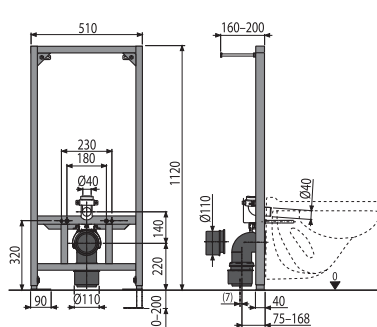


| | |
|--------------------|-----------------|
| Quantity (packing) | 1 pc |
| Quantity (pallet) | 15 pcs |
| Dimensions (piece) | 1195x530x145 mm |
| Weight (piece) | 12.6007 kg |
| Headroom | 1176 mm |



A114/1120

Mounting frame for wall-hung WC

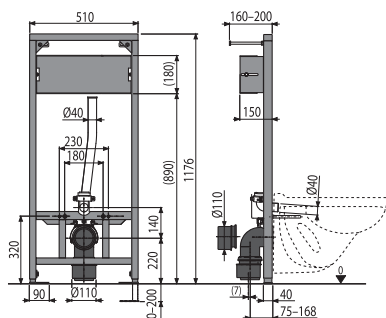


| | |
|--------------------|-----------------|
| Quantity (packing) | 1 pc |
| Quantity (pallet) | 15 pcs |
| Dimensions (piece) | 1195x145x530 mm |
| Weight (piece) | 11.3765 kg |
| Headroom | 1120 mm |



A114S/1200

Mounting frame for wall-hung WC and sensor

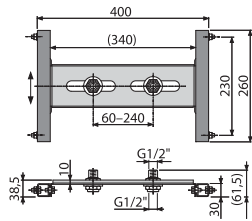


| | |
|--------------------|-----------------|
| Quantity (packing) | 1 pc |
| Quantity (pallet) | 15 pcs |
| Dimensions (piece) | 1195x530x145 mm |
| Weight (piece) | 13.2026 kg |
| Headroom | 1176 mm |



A117B

Mounting frame for faucet in plasterboard structure

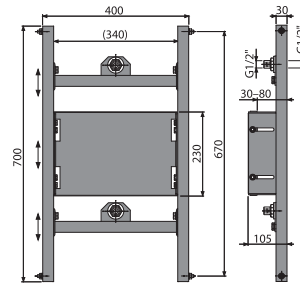


| | |
|--------------------|---------------|
| Quantity (packing) | 20 pcs |
| Quantity (pallet) | 160 pcs |
| Dimensions (piece) | 370x80x140 mm |
| Weight (piece) | 1.9108 kg |
| Headroom | - mm |



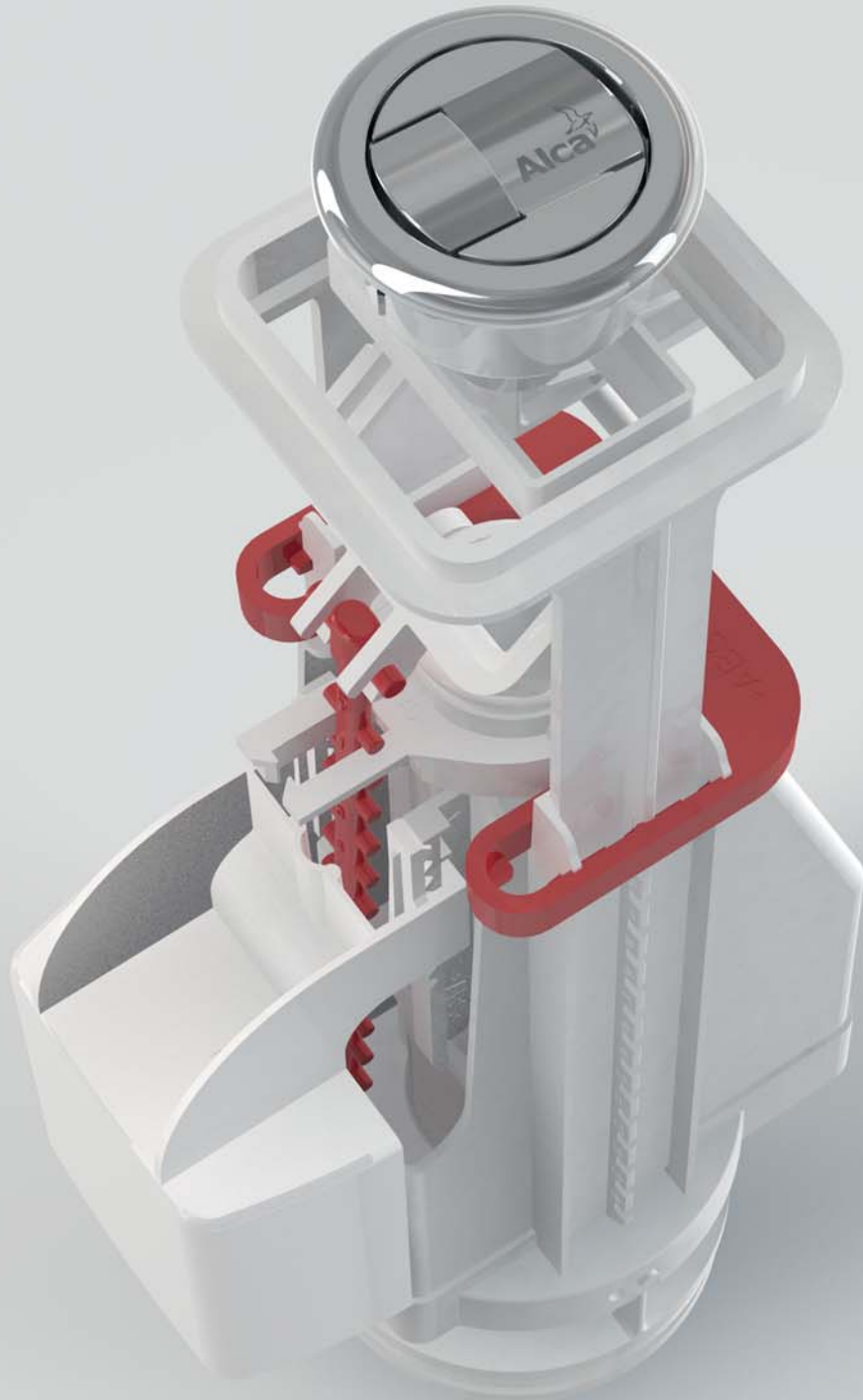
A117PB

Mounting frame for built-in mixer in plasterboard structure



| | |
|--------------------|----------------|
| Quantity (packing) | 1 pc |
| Quantity (pallet) | 40 pcs |
| Dimensions (piece) | 800x133x470 mm |
| Weight (piece) | 6.3274 kg |
| Headroom | - mm |





Valves

| | |
|----------------------------|----|
| Fill valves _____ | 42 |
| Flush valves _____ | 43 |
| Plastic WC cisterns _____ | 44 |
| Fill and flush kits _____ | 45 |
| Valves – accessories _____ | 47 |

A15-1/2"

Side inlet fill valve for ceramic WC cisterns



| | |
|--------------------|----------|
| Quantity (packing) | 75 pcs |
| Quantity (pallet) | 1200 pcs |
| Material | ABS |

A15-3/8"

Side inlet fill valve for ceramic WC cisterns



| | |
|--------------------|----------|
| Quantity (packing) | 75 pcs |
| Quantity (pallet) | 1200 pcs |
| Material | ABS |

A15P-1/2"

Side inlet fill valve for plastic WC cisterns



| | |
|--------------------|----------|
| Quantity (packing) | 75 pcs |
| Quantity (pallet) | 1200 pcs |
| Material | ABS |

A15P-3/8"

Side inlet fill valve for plastic WC cisterns



| | |
|--------------------|----------|
| Quantity (packing) | 75 pcs |
| Quantity (pallet) | 1200 pcs |
| Material | ABS |

A16-1/2"

Side inlet fill valve metal thread for ceramic WC cisterns



| | |
|--------------------|----------|
| Quantity (packing) | 75 pcs |
| Quantity (pallet) | 1200 pcs |
| Material | ABS |

A16-3/8"

Side inlet fill valve metal thread for ceramic WC cisterns



| | |
|--------------------|----------|
| Quantity (packing) | 75 pcs |
| Quantity (pallet) | 1200 pcs |
| Material | ABS |

A16M-3/8"

Side inlet fill valve metal thread for plastic WC cisterns and pre-wall installation systems



| | |
|--------------------|----------|
| Quantity (packing) | 75 pcs |
| Quantity (pallet) | 1200 pcs |
| Material | ABS |

A16P-3/8"

Side inlet fill valve metal thread for plastic WC cisterns



| | |
|--------------------|----------|
| Quantity (packing) | 75 pcs |
| Quantity (pallet) | 1200 pcs |
| Material | ABS |

A17-1/2"

Bottom inlet fill valve



| | |
|--------------------|---------|
| Quantity (packing) | 50 pcs |
| Quantity (pallet) | 800 pcs |
| Material | ABS |

A17-3/8"

Bottom inlet fill valve



| | |
|--------------------|---------|
| Quantity (packing) | 50 pcs |
| Quantity (pallet) | 800 pcs |
| Material | ABS |

A18-1/2"

Bottom inlet fill valve metal thread



| | |
|--------------------|---------|
| Quantity (packing) | 50 pcs |
| Quantity (pallet) | 800 pcs |
| Material | ABS |

A18-3/8"

Bottom inlet fill valve metal thread



| | |
|--------------------|---------|
| Quantity (packing) | 50 pcs |
| Quantity (pallet) | 800 pcs |
| Material | ABS |

A2000

Flush valve with STOP button



| | |
|--------------------|---------|
| Quantity (packing) | 25 pcs |
| Quantity (pallet) | 400 pcs |
| Material | ABS |

A05

Flush valve with raised STOP button



| | |
|--------------------|---------|
| Quantity (packing) | 25 pcs |
| Quantity (pallet) | 400 pcs |
| Material | ABS |

A08A

Flush valve with DUAL control button



| | |
|--------------------|---------|
| Quantity (packing) | 16 pcs |
| Quantity (pallet) | 256 pcs |
| Material | ABS |

A02

Flush valve for low level cistern



| | |
|--------------------|---------|
| Quantity (packing) | 25 pcs |
| Quantity (pallet) | 400 pcs |
| Material | ABS |

A03

Flush valve for high level cistern



| | |
|--------------------|---------|
| Quantity (packing) | 25 pcs |
| Quantity (pallet) | 400 pcs |
| Material | ABS |

A03A

Flush valve for high level cistern



| | |
|--------------------|---------|
| Quantity (packing) | 35 pcs |
| Quantity (pallet) | 560 pcs |
| Material | ABS |

A06

Flush valve for pre-wall installation systems



| | |
|--------------------|---------|
| Quantity (packing) | 25 pcs |
| Quantity (pallet) | 400 pcs |
| Material | ABS |

A06E

Flush valve ECOLOGY for pre-wall installation systems



| | |
|--------------------|---------|
| Quantity (packing) | 25 pcs |
| Quantity (pallet) | 400 pcs |
| Material | ABS |

A06/850

Flush valve for reduced pre-wall installation systems with 850 mm height



| | |
|--------------------|---------|
| Quantity (packing) | 25 pcs |
| Quantity (pallet) | 400 pcs |
| Material | ABS |

A07

Flush valve for low level cistern A93



| | |
|--------------------|---------|
| Quantity (packing) | 25 pcs |
| Quantity (pallet) | 400 pcs |
| Material | ABS |

A09A

Flush valve for Slimmodul



| | |
|--------------------|---------|
| Quantity (packing) | 20 pcs |
| Quantity (pallet) | 256 pcs |
| Material | ABS |

A09B

Flush valve for Slimmodul



| | |
|--------------------|---------|
| Quantity (packing) | 50 pcs |
| Quantity (pallet) | 800 pcs |
| Material | ABS |

A93-1/2"

Universal WC cistern ALCA UNI DUAL

A93-3/8"

Universal WC cistern ALCA UNI DUAL



DUAL
3 l/6 l

| | |
|--------------------|--------|
| Quantity (packing) | 1 pc |
| Quantity (pallet) | 58 pcs |

A94-1/2"

Universal WC cistern ALCA UNI START/STOP

A94-3/8"

Universal WC cistern ALCA UNI START/STOP



START STOP

| | |
|--------------------|--------|
| Quantity (packing) | 1 pc |
| Quantity (pallet) | 58 pcs |

A95

Flush pipe DN32 in two parts + wrapping seal



| | |
|--------------------|-------|
| Quantity (packing) | 1 pc |
| Quantity (pallet) | - pcs |

A950

Flush pipe set DN35



| | |
|--------------------|-------|
| Quantity (packing) | 1 pc |
| Quantity (pallet) | - pcs |

SA2000-1/2"

 Fill and flush kit with STOP button
 Package content: A15-1/2", A2000, blind plug, screws, gaskets


| | |
|--------------------|---------|
| Quantity (packing) | 20 pcs |
| Quantity (pallet) | 320 pcs |

SA2000-3/8"

 Fill and flush kit with STOP button
 Package content: A15-3/8", A2000, blind plug, screws, gaskets


| | |
|--------------------|---------|
| Quantity (packing) | 20 pcs |
| Quantity (pallet) | 320 pcs |

SA2000K-1/2"

 Fill and flush kit with STOP button
 Package content: A16-1/2", A2000, blind plug, screws, gaskets


| | |
|--------------------|---------|
| Quantity (packing) | 20 pcs |
| Quantity (pallet) | 320 pcs |

SA2000K-3/8"

 Fill and flush kit with STOP button
 Package content: A16-3/8", A2000, blind plug, screws, gaskets


| | |
|--------------------|---------|
| Quantity (packing) | 20 pcs |
| Quantity (pallet) | 320 pcs |

SA2000S-1/2"

 Fill and flush kit with STOP button
 Package content: A17-1/2", A2000, screws, gaskets


| | |
|--------------------|---------|
| Quantity (packing) | 20 pcs |
| Quantity (pallet) | 320 pcs |

SA2000S-3/8"

 Fill and flush kit with STOP button
 Package content: A17-3/8", A2000, screws, gaskets


| | |
|--------------------|---------|
| Quantity (packing) | 20 pcs |
| Quantity (pallet) | 320 pcs |

SA2000SK-1/2"

Fill and flush kit with STOP button
 Package content: A18-1/2", A2000, screws, gaskets



**START
STOP**

| | |
|--------------------|---------|
| Quantity (packing) | 20 pcs |
| Quantity (pallet) | 320 pcs |

SA2000SK-3/8"

Fill and flush kit with STOP button
 Package content: A18-3/8", A2000, screws, gaskets



**START
STOP**

| | |
|--------------------|---------|
| Quantity (packing) | 20 pcs |
| Quantity (pallet) | 320 pcs |

SA08A-1/2"

Fill and flush kit with DUAL control button
 Package content: A15-1/2", A08A, blind plug, screws, gaskets



**DUAL
3 l/6 l**

| | |
|--------------------|---------|
| Quantity (packing) | 16 pcs |
| Quantity (pallet) | 256 pcs |

SA08A-3/8"

Fill and flush kit with DUAL control button
 Package content: A15-3/8", A08A, blind plug, screws, gaskets



**DUAL
3 l/6 l**

| | |
|--------------------|---------|
| Quantity (packing) | 16 pcs |
| Quantity (pallet) | 256 pcs |

SA08AK-1/2"

Fill and flush kit with DUAL control button
 Package content: A16-1/2", A08A, blind plug, screws, gaskets



**DUAL
3 l/6 l**

| | |
|--------------------|---------|
| Quantity (packing) | 16 pcs |
| Quantity (pallet) | 256 pcs |

SA08AK-3/8"

Fill and flush kit with DUAL control button
 Package content: A16-3/8", A08A, blind plug, screws, gaskets



**DUAL
3 l/6 l**

| | |
|--------------------|---------|
| Quantity (packing) | 16 pcs |
| Quantity (pallet) | 256 pcs |

SA08AS-1/2"

Fill and flush kit with DUAL control button
 Package content: A17-1/2", A08A, screws, gaskets



**DUAL
3 l/6 l**

| | |
|--------------------|---------|
| Quantity (packing) | 16 pcs |
| Quantity (pallet) | 256 pcs |

SA08AS-3/8"

Fill and flush kit with DUAL control button
 Package content: A17-3/8", A08A, screws, gaskets



**DUAL
3 l/6 l**

| | |
|--------------------|---------|
| Quantity (packing) | 16 pcs |
| Quantity (pallet) | 256 pcs |

SA08ASK-1/2"

Fill and flush kit with DUAL control button
 Package content: A18-1/2", A08A, screws, gaskets



**DUAL
3 l/6 l**

| | |
|--------------------|---------|
| Quantity (packing) | 16 pcs |
| Quantity (pallet) | 256 pcs |

SA08ASK-3/8"

Fill and flush kit with DUAL control button
 Package content: A18-3/8", A08A, screws, gaskets



| | |
|--------------------|---------|
| Quantity (packing) | 16 pcs |
| Quantity (pallet) | 256 pcs |

V0018-ND

Button cover (A2000)



| | |
|--------------------|-------|
| Quantity (packing) | 1 pcs |
| Quantity (pallet) | – pcs |

P0014-ND

Button complete set chrome (A05)



| | |
|--------------------|-------|
| Quantity (packing) | 1 pcs |
| Quantity (pallet) | – pcs |

V0011-ND

Button complete set chrome (A2000)



| | |
|--------------------|-------|
| Quantity (packing) | 1 pcs |
| Quantity (pallet) | – pcs |

V0296-ND

Button complete set chrome (A08A)



| | |
|--------------------|-------|
| Quantity (packing) | 1 pcs |
| Quantity (pallet) | – pcs |

V0015-ND

Seal 64x30x2



| | |
|--------------------|-------|
| Quantity (packing) | 1 pcs |
| Quantity (pallet) | – pcs |

N0020-ND

End cap chrome



| | |
|--------------------|-------|
| Quantity (packing) | 1 pcs |
| Quantity (pallet) | – pcs |



WC seats

| | |
|------------------------|----|
| WC seats Antibacterial | 52 |
| WC seats Basic | 52 |
| WC seats Duroplast | 54 |
| WC seats SOFTCLOSE | 56 |
| WC seats SLIM | 58 |
| WC seats – hinges | 60 |

WC seats



SOFTCLOSE system – Slow closing WC seat cover

The SOFTCLOSE system is characterised by its slow seat closing action. The mechanism within the hinges of the WC seat ensure a smooth and quiet closure onto the ceramics. A big advantage of this system is to protect the WC pan from damage caused by accidental dropping of the seat. It also ensures greater safety and comfort for the user when handling the seat. It is particularly suitable for public areas and for families with children.



Antibacterial

The majority of ALCA toilet seats have antibacterial properties. The Antibacterial properties are achieved by the Silver compounds within the material. Testing has proven that the bacterial density on the WC seat surface is reduced.

Duroplast

Toilet seats made of high-quality Duroplast material will satisfy even the most demanding Customers. Duroplast material greatly reduces discomfort of sitting on a cold surface of a WC seat.



CLICK system for easy cleaning

CLICK system on WC seat hinges allows for easier and faster cleaning of the WC pan and seat itself. The seat is released from the pan by pressing the two buttons on the inner side of the seat hinges, allowing it to be lifted clear for cleaning. The seat is easily and quickly returned to its original position by pressing it back onto the hinges.



Setting of hinges for perfect compatibility

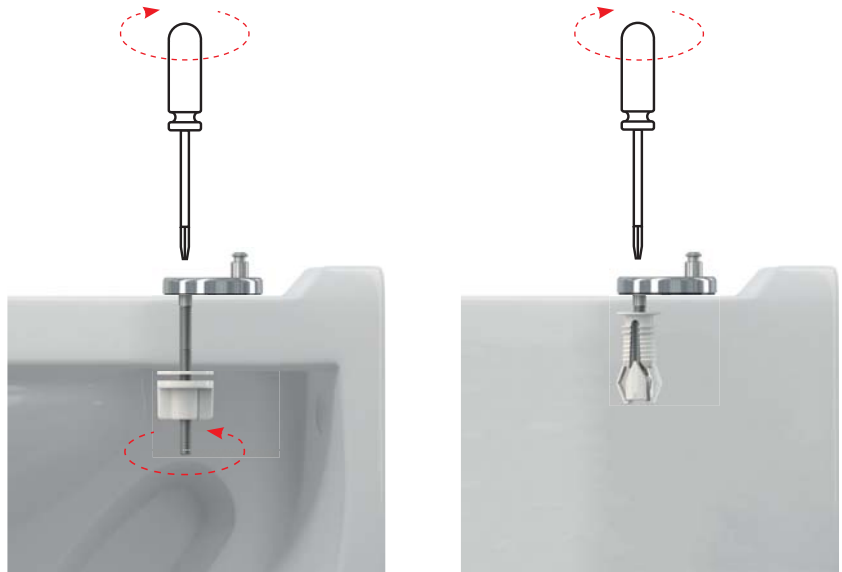
Easy mounting of ALCA seats onto the WC pan is guaranteed thanks to the large range of possible adjustment of the seat hinges. This together with the shape of the WC seats enable them to be fitted to many types of ceramics. The hinges are made of stainless steel and are white powder paint coated to blend them into the ceramic surface, this also ensures long life and durability.





Comfortable top mounting

For Duroplast seats with CLICK system we offer an alternative to the classic bottom mounting hinges. Designed for toilet bowls with limited access the hinge system can be mounted and tightened from the top surface only, eliminating the need to gain access from below.



The integrated seat insert with magnetic holder

Duroplast seats A603 and A606 are equipped with a fully integrated infant potty seat insert. It is attached to the hinge pins and can be easily removed. The insert is made of lightweight polypropylene material so that a child can safely and simply manipulate the seat. When not use the potty seat insert is retained magnetically by the seat cover allowing normal adult use.



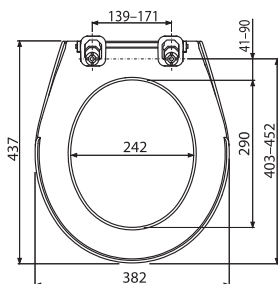
Coloured seats and seats with printing

Duroplast seats A601 and A604 come as standard in four colours – white, bahama, pergamon and pistachio. We also offer WC seats with colour printing in three themes – flower, shell and zen.



A60

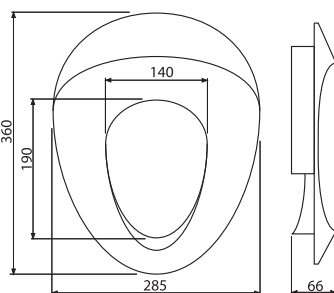
WC seat Antibacterial



| | |
|--------------------|---|
| Quantity (packing) | 13 pcs |
| Quantity (pallet) | 208 pcs |
| Hinges | P0009-ND |
| Material | polypropylene with antibacterial properties |

A68

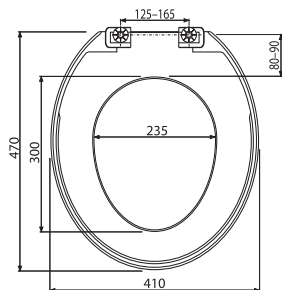
Potty training seat



| | |
|--------------------|---------------|
| Quantity (packing) | 7 pcs |
| Quantity (pallet) | 252 pcs |
| Hinges | - |
| Material | polypropylene |

A3550

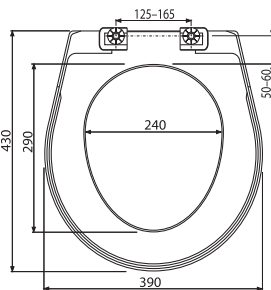
WC seat



| | |
|--------------------|---------------|
| Quantity (packing) | 15 pcs |
| Quantity (pallet) | 300 pcs |
| Hinges | - |
| Material | polypropylene |

A3551

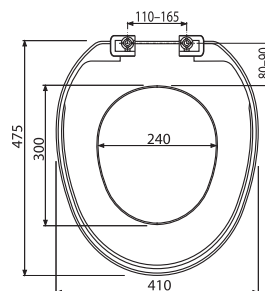
WC seat



| | |
|--------------------|---------------|
| Quantity (packing) | 15 pcs |
| Quantity (pallet) | 300 pcs |
| Hinges | - |
| Material | polypropylene |

A3553

WC seat



| | |
|--------------------|---------------|
| Quantity (packing) | 21 pcs |
| Quantity (pallet) | 336 pcs |
| Hinges | - |
| Material | polypropylene |

A60 – COMPATIBILITY CHART

| | | ✓✓ | ✓ |
|-------------------|--|------|------------------|
| Manufacturer | Type | Type | Type |
| ALCAPLAST | Alca, Rimflow, Grand (C) | | |
| CERSANIT | President (C), Terra | | Solari (C) |
| IDEAL STANDARD | Eurovit (Ecco) (C), Eurovit (Ecco), Simplicity, Simplicity (C), Vidima SevaMix (C), Ulysse 2 (C) | | |
| JIKA | Mio, Lyra (C), Lyra Plus (C), Dino, Easy / Olymp, Olymp (C), Zeta (C), Zeta Plus (C), Roman (C), Lukas, Norma (C), Euroline (C), Deep New Handicap | | |
| KOLO | Style, Nova top, Napoli (C), Rekord (C), Rekord | | Primo, Piano (C) |
| SANITEC / KERAMAG | | | Renova Nr. 1 |
| VITRA | Concept 100 (Ptáček), SeaBay (C), Pera | | |
| VILLEROY & BOCH | Omnia, Omnia Pro, Omnia Compact | | |

A3550, A3553 – COMPATIBILITY CHART

| | | ✓✓ | ✓ |
|-------------------|----------------------------------|--|------|
| Manufacturer | Type | Type | Type |
| ALCAPLAST | | Alca | |
| CERSANIT | | Delfi | |
| IDEAL STANDARD | Vidima SevaMix (C), Ulysse 2 (C) | Simplicity, Simplicity (C), Eurovit (C), Eurovit | |
| JIKA | Dino Rimless | Lyra Plus, Tigo, Tigo (C), Zeta | |
| PTÁČEK | | Easy, Concept | |
| RICHTER + FRENZEL | Optiline Europa | | |
| WINKIEL | | Lecico (C) | |

A3551 – COMPATIBILITY CHART

| | | ✓✓ | ✓ |
|--------------|-------------------------|------|------|
| Manufacturer | Type | Type | Type |
| ALCAPLAST | Grand (C) | | |
| JIKA | Lyra Plus (C), Lyra (C) | | |
| PTÁČEK | Easy (C), Concept (C) | | |

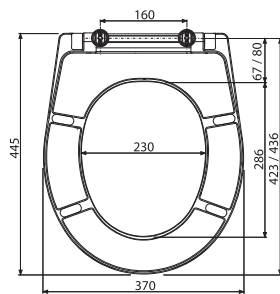
✓✓ = WC seat fully compatible with toilet bowl

✓ = WC seat compatible with toilet bowl but not perfect fit

(C) = combi WC

A601

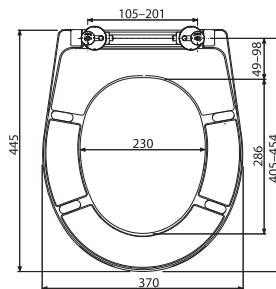
WC seat Duroplast



| | |
|--------------------|---|
| Quantity (packing) | 5 pcs |
| Quantity (pallet) | 120 pcs |
| Hinges | P096 |
| Material | Duroplast with antibacterial properties |

A602

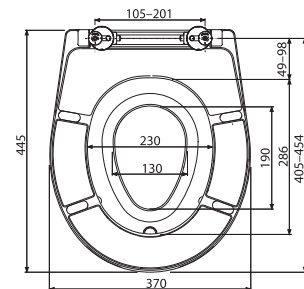
WC seat universal, Duroplast



| | |
|--------------------|---|
| Quantity (packing) | 5 pcs |
| Quantity (pallet) | 120 pcs |
| Hinges | P106B |
| Material | Duroplast with antibacterial properties |

A603

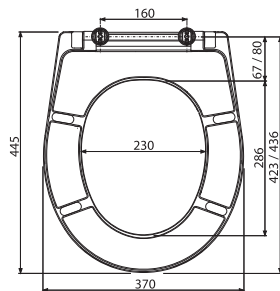
WC seat universal with integrated insert, Duroplast



| | |
|-------------------------|---|
| Quantity (packing) | 5 pcs |
| Quantity (pallet) | 120 pcs |
| Hinges | P106B |
| Material | Duroplast with antibacterial properties |
| WC seat insert material | polypropylene with antibacterial properties |

A601 BAHAMA

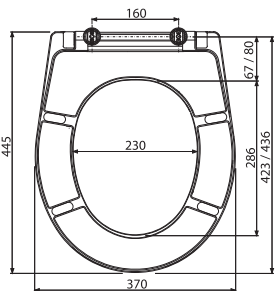
WC seat Duroplast



| | |
|--------------------|---|
| Quantity (packing) | 5 pcs |
| Quantity (pallet) | 120 pcs |
| Hinges | P096 |
| Material | Duroplast with antibacterial properties |

A601 PERGAMON

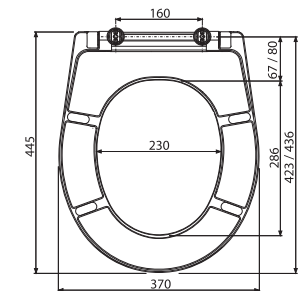
WC seat Duroplast



| | |
|--------------------|---|
| Quantity (packing) | 5 pcs |
| Quantity (pallet) | 120 pcs |
| Hinges | P096 |
| Material | Duroplast with antibacterial properties |

A601 PISTACHIO

WC seat Duroplast



| | |
|--------------------|---|
| Quantity (packing) | 5 pcs |
| Quantity (pallet) | 120 pcs |
| Hinges | P096 |
| Material | Duroplast with antibacterial properties |

A601 – COMPATIBILITY CHART

| Manufacturer | Type | Type |
|----------------|--|---|
| ALCAPLAST | Alca, Rimflow | |
| CERSANIT | Terra, President (C) | Delfi |
| FAYANS | Neo | |
| GUSTAVSBERG | Saval | Nautic |
| IDEAL STANDARD | Eurovit, Simplicity (C), Simplicity | Eurovit (C), Ulysse 2 (C), Vidima SevaMix |
| JIKA | Easy / Olymp, Zeta Plus (C), Roman (C) | Tigo, Olymp, Deep New Handicap |
| KERAMAG | | Renova |
| KERAMIN | Omega (C) | |
| KOLO | Rekord (C) | Primo, Rekord / Krainer |
| SANINDUSA | Cetus | |

A602, A603 – COMPATIBILITY CHART

| Manufacturer | Type | Type |
|-----------------------|---|--|
| ALCAPLAST | Alca, Rimflow | |
| ALFÖLDI | Saval, Bázis, Solinár | |
| CERSANIT | Terra, Lotos, Classic, Ellada, Eko-2000, Korál, Atlantic, Solari, Family, Meteor, Trento, Relax | Iryda, Olimpia, Prezident, Roma, Merida, Delfi |
| DOLOMITE | Garda | |
| FAYANS | Neo | |
| GUSTAVSBERG | Saval, Nautic | |
| IDEAL STANDARD | Eurovit, Simplicity (C), Simplicity, Storm, Seva M, Seva Mega | Eurovit (C), SevaMix |
| JIKA | Easy / Olymp, Dino, Roma, Lyra, Norma | Easy / Zeta (C), Tigo, Deep New Handicap |
| KERAMAG | | Renova Nr.1 |
| KERAMIN | Omega (C) | |
| KERASAN | Godia | |
| KOLO | Rekord, Idol, Impuls, Primo | Nova Top, Rekord / Krainer |
| MONDIAL | 4031 | |
| MULTI | Eur | |
| ROCA | Zoom | |
| ROSA | Elegans, Komfort, Evro, Premier, Ressa | |
| SAMARSKJI STROJFARFOR | Sanata | |
| SANINDUSA | Cetus | |
| SANTEK | Boreal, Briz | |
| SANTERI | | Vita, Sonata |
| VILLEROY BOCH | | O.novo |
| VITRA | Saval | |

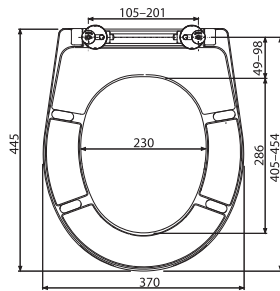
✓✓ = WC seat fully compatible with toilet bowl

✓ = WC seat compatible with toilet bowl but not perfect fit

(C) = combi WC

A604

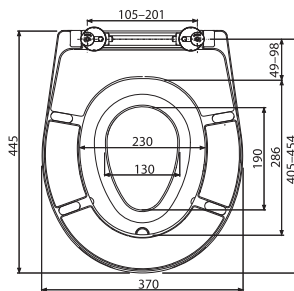
WC seat universal SOFTCLOSE, Duroplast



| | |
|--------------------|---|
| Quantity (packing) | 5 pcs |
| Quantity (pallet) | 120 pcs |
| Hinges | P106B |
| Material | Duroplast with antibacterial properties |

A606

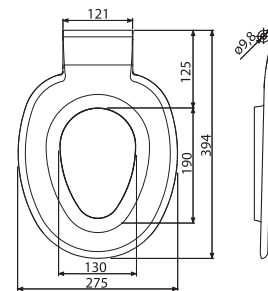
WC seat universal SOFTCLOSE with integrated insert, Duroplast



| | |
|--------------------|---|
| Quantity (packing) | 5 pcs |
| Quantity (pallet) | 120 pcs |
| Hinges | P106B |
| Material | Duroplast with antibacterial properties |

P102

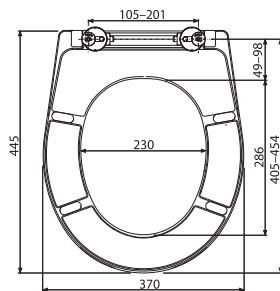
WC seat – integrated insert



| | |
|--------------------|---|
| Quantity (packing) | 20 pcs |
| Quantity (pallet) | 320 pcs |
| Hinges | - |
| Material | polypropylene with antibacterial properties |

A604 BAHAMA

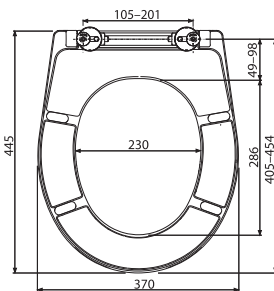
WC seat universal SOFTCLOSE, Duroplast



| | |
|--------------------|---|
| Quantity (packing) | 5 pcs |
| Quantity (pallet) | 120 pcs |
| Hinges | P106B |
| Material | Duroplast with antibacterial properties |

A604 PERGAMON

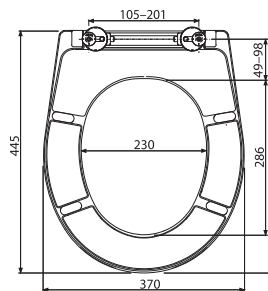
WC seat universal SOFTCLOSE, Duroplast



| | |
|--------------------|---|
| Quantity (packing) | 5 pcs |
| Quantity (pallet) | 120 pcs |
| Hinges | P106B |
| Material | Duroplast with antibacterial properties |

A604 PISTACHIO

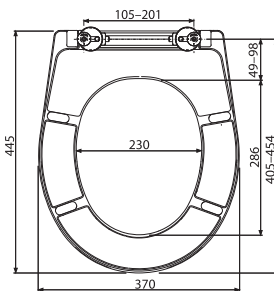
WC seat universal SOFTCLOSE, Duroplast



| | |
|--------------------|---|
| Quantity (packing) | 5 pcs |
| Quantity (pallet) | 120 pcs |
| Hinges | P106B |
| Material | Duroplast with antibacterial properties |

A604 FLOWER

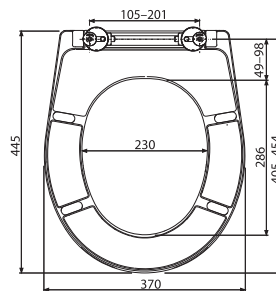
WC seat universal SOFTCLOSE, Duroplast



| | |
|--------------------|---|
| Quantity (packing) | 5 pcs |
| Quantity (pallet) | 120 pcs |
| Hinges | P106B |
| Material | Duroplast with antibacterial properties |

A604 SHELL

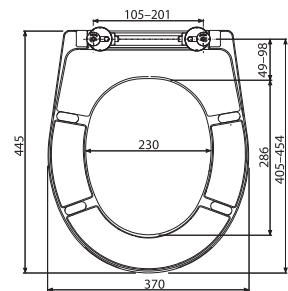
WC seat universal SOFTCLOSE, Duroplast



| | |
|--------------------|---|
| Quantity (packing) | 5 pcs |
| Quantity (pallet) | 120 pcs |
| Hinges | P106B |
| Material | Duroplast with antibacterial properties |

A604 ZEN

WC seat universal SOFTCLOSE, Duroplast



| | |
|--------------------|---|
| Quantity (packing) | 5 pcs |
| Quantity (pallet) | 120 pcs |
| Hinges | P106B |
| Material | Duroplast with antibacterial properties |

A604, A606 – COMPATIBILITY CHART

| Manufacturer | Type | Type |
|-----------------------|---|--|
| ALCAPLAST | Alca, Rimflow | |
| ALFÖLDI | Saval, Bázis, Solinár | |
| CERSANIT | Terra, Lotos, Classic, Ellada, Eko-2000, Korál, Atlantic, Solari, Family, Meteor, Trento, Relax | Iryda, Olimpia, Prezident, Roma, Merida, Delfi |
| DOLOMITE | Garda | |
| FAYANS | Neo | |
| GUSTAVSBERG | Saval, Nautic | |
| IDEAL STANDARD | Eurovit, Simplicity (C), Simplicity, Storm, Seva M, Seva Mega | Eurovit (C), SevaMix |
| JIKA | Easy / Olymp, Dino, Roma, Lyra, Norma | Easy / Zeta (C), Tigo, Deep New Handicap |
| KERAMAG | | Renova Nr.1 |
| KERAMIN | Omega (C) | |
| KERASAN | Godia | |
| KOLO | Rekord, Idol, Impuls, Primo | Nova Top, Rekord / Krainer |
| MONDIAL | 4031 | |
| MULTI | Eur | |
| ROCA | Zoom | |
| ROSA | Elegans, Komfort, Evro, Premier, Ressa | |
| SAMARSKJI STROJFARFOR | Sanata | |
| SANINDUSA | Cetus | |
| SANTEK | Boreal, Briz | |
| SANTERI | | Vita, Sonata |
| VILLEROY BOCH | | O.novo |
| VITRA | Saval | |

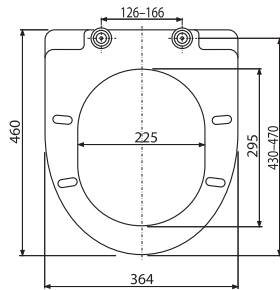
✓✓ = WC seat fully compatible with toilet bowl

✓ = WC seat compatible with toilet bowl but not perfect fit

(C) = combi WC

A66

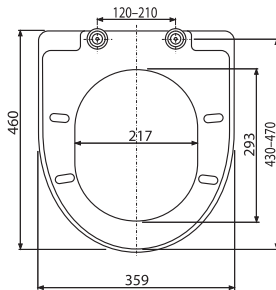
WC seat SOFTCLOSE, Duroplast



| | |
|--------------------|-----------|
| Quantity (packing) | 5 pcs |
| Quantity (pallet) | 80 pcs |
| Hinges | Z0137B-ND |
| Material | Duroplast |

A67

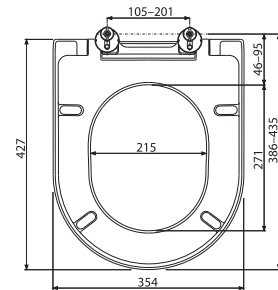
WC seat SOFTCLOSE, Duroplast



| | |
|--------------------|-----------|
| Quantity (packing) | 5 pcs |
| Quantity (pallet) | 80 pcs |
| Hinges | Z0137B-ND |
| Material | Duroplast |

A674S

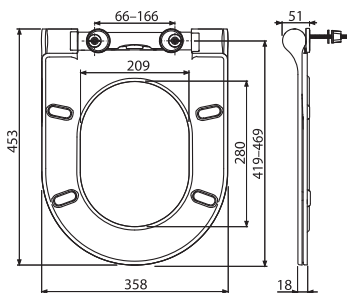
WC seat SOFTCLOSE, Duroplast



| | |
|--------------------|-----------|
| Quantity (packing) | 5 pcs |
| Quantity (pallet) | 120 pcs |
| Hinges | P106B |
| Material | Duroplast |

A67SLIM

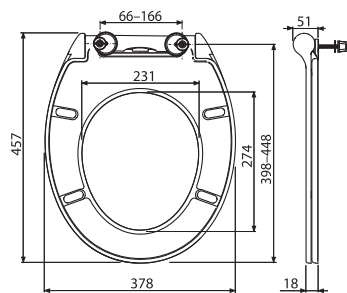
WC seat SLIM SOFTCLOSE, Duroplast



| | |
|--------------------|-----------|
| Quantity (packing) | 5 pcs |
| Quantity (pallet) | 80 pcs |
| Hinges | Z0952-ND |
| Material | Duroplast |

A64SLIM

WC seat SLIM SOFTCLOSE, Duroplast



| | |
|--------------------|-----------|
| Quantity (packing) | 5 pcs |
| Quantity (pallet) | 80 pcs |
| Hinges | Z0952-ND |
| Material | Duroplast |

A66 – COMPATIBILITY CHART

| Manufacturer | Type | Type |
|-------------------|---|-----------------------------|
| ALCAPLAST | Rimflow | |
| CERSANIT | President, Merida, Terra | |
| DOLOMITE | Clodia | |
| GLACERA | Montanaro, Base | |
| HORNBACK | | Dalea, Luna |
| IDEAL STANDARD | Eurovit (Ecco) | Vidima SevaMix (C) |
| JIKA | Mio, Dino, Easy / Olymp, Cubito, Zeta, Tigo | Zeta Plus (C), Dino Rimless |
| KERAMAG | | Renova |
| KERASAN | Flo | |
| LAUFEN | Pro, Form | |
| RICHTER + FRENZEL | Optiset Optiline | |
| VILLEROY & BOCH | Omnia, Omnia Architectura | |
| VITRA | S50-52 cm | |

✓✓ = WC seat fully compatible with toilet bowl

✓ = WC seat compatible with toilet bowl but not perfect fit

(C) = combi WC

A67 – COMPATIBILITY CHART

| Manufacturer | Type | Type |
|-------------------|--|-----------------------------|
| ALCAPLAST | | Rimflow |
| CERSANIT | President, Merida, Terra | |
| DOLOMITE | Clodia | |
| GLACERA | Montanaro, Base | |
| HORNBACK | | Dalea, Luna |
| IDEAL STANDARD | Eurovit (Ecco) | Vidima SevaMix (C) |
| JIKA | Mio, Dino, Easy / Olymp, Cubito, Zeta, Lyra Plus, Tigo | Zeta Plus (C), Dino Rimless |
| KERAMAG | | Renova |
| KERASAN | Flo | |
| LAUFEN | Pro, Form | |
| RICHTER + FRENZEL | Optiset Optiline | |
| VILLEROY & BOCH | Omnia, Omnia Architectura | |
| VITRA | S50-52 cm | |

A674S – COMPATIBILITY CHART

| Manufacturer | Type | Type |
|--------------------------|---|---|
| ALCAPLAST | | Rimflow |
| CERSANIT | Iryda, Iryda (C) | Delfi, Olimpia, Olimpia (C), Parva, Parva (C) |
| FORM | Novalis | Corto |
| GUSTAVSBERG | | Nautic |
| HORNBACK | | Melissa, Luna |
| IDEAL STANDARD | | Simplicity |
| JIKA | Dino Rimless, Easy, Lyra Plus, Mio, Mio (C), Tigo, Tigo (C) | |
| LAUFEN | Laufen Pro | |
| PTÁČEK | | Concept 100 |
| RICHTER + FRENZEL | | Optiline Europa |
| SANITEC - KERAMAG - KOLO | Icon, Primo | Renova Nr. 1 |
| VILLEROY & BOCH | Verity, Subway 2.0 (compact), O.novo | |
| VITRA | Concept 500 | |

A67SLIM – COMPATIBILITY CHART

| Manufacturer | Type | Type |
|-----------------|---|-----------------------------|
| ALCAPLAST | Rimflow | |
| CERSANIT | President, Merida, Terra, Iryda (C) | Olimpia, Olimpia (C), Iryda |
| DOLOMITE | Clodia | |
| GLACERA | Montanaro, Base | |
| HORNBACK | | Dalea, Luna |
| IDEAL STANDARD | | Vidima SevaMix (C) |
| JIKA | Mio, Dino, Easy / Olymp, Cubito, Zeta, Dino Rimless, Lyra Plus, Tigo, Deep New Handicap | |
| JUNGBORN | Elena (C), Dalea, Melissa | |
| KERAMAG | Renova Nr. 1, Renova | |
| KERASAN | Flo | |
| KOLO | Style, Impuls | Quatro |
| VILLEROY & BOCH | Subway, Omnia Architectura | |
| VITRA | S50-52 cm | |

P0009-ND

Hinges for A60



Quantity (packing) -
Quantity (pallet) -

P096

Hinges for A601



Quantity (packing) -
Quantity (pallet) -

P106

Hinges for bottom installation, stainless steel cover



Quantity (packing) -
Quantity (pallet) -

P106B

Hinges for bottom installation, white cover



Quantity (packing) -
Quantity (pallet) -

P105

Hinges with top installation, stainless steel cover



Quantity (packing) -
Quantity (pallet) -

P105B

Hinges for top installation, white cover



Quantity (packing) -
Quantity (pallet) -

Z0137B-ND

Hinges for A64, A65, A66, A67



Quantity (packing) -
Quantity (pallet) -

Z0952-ND

Hinges for A64SLIM, A67SLIM



Quantity (packing) -
Quantity (pallet) -

P113

Dowel for top installation of WC seats



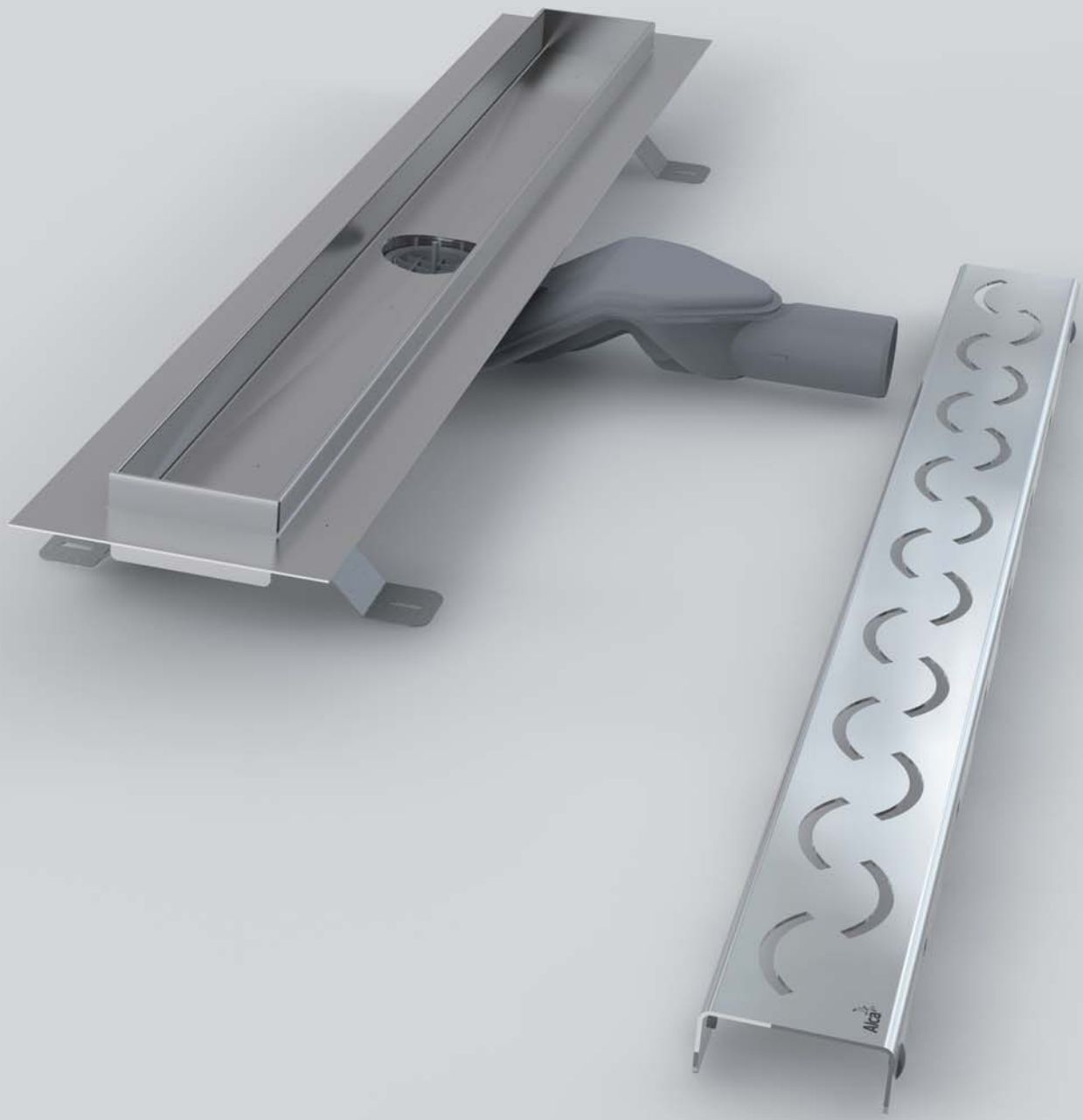
Quantity (packing) -
Quantity (pallet) -

A64SLIM – COMPATIBILITY CHART

| Manufacturer | Type | Type |
|-----------------|--|--|
| ALCAPLAST | Alca | Rimflow |
| ALFÖLDI | Saval | Bázis |
| CERSANIT | President (C), Terra, Family, Solari, Classic, Iryda (C) | Olimpia, Olimpia (C), Iryda |
| DOLOMITE | Garda | |
| FAYANS | Neo | |
| GUSTAVSBERG | Saval, Nautic | |
| IDEAL STANDARD | Eurovit (Ecco)(C), Simplicity (C), Vidima Storm | Vidima SevaMix (C), Ulysse 2 (C), Vidima SevaM (C), Simplicity |
| JIKA | Lyra, Dino, Easy / Olymp, Zeta, Roman | Norma |
| KERAMAG | | Renova Nr. 1 |
| KERASAN | Godia | |
| KOLO | Nova Top, Delta, Impuls, Rekord, Idol (C) | Rekord (C), Piano (C), Primo |
| SANINDUSA | Cetus | |
| SANTEK | Boreal, Briz | |
| SANTERI | | Vita, Sonata |
| VILLEROY & BOCH | Omnia, Omnia Pro, Omnia Compact | |
| VITRA | Pera, SeaBay (C) | |

HINGES – COMPATIBILITY CHART

| Hinges | Type |
|-----------|--|
| P0009B-ND | A60 |
| P096 | A601, A601 BAHAMA, A601 PERGAMON, A601 PISTACHIO |
| P105 | A602, A603, A604, A604 FLOWER, A604 SHELL, A604 ZEN, A604 BAHAMA, A604 PERGAMON, A604 PISTACHIO, A606, A674S |
| P105B | A602, A603, A604, A604 FLOWER, A604 SHELL, A604 ZEN, A604 BAHAMA, A604 PERGAMON, A604 PISTACHIO, A606, A674S |
| P106 | A602, A603, A604, A604 FLOWER, A604 SHELL, A604 ZEN, A604 BAHAMA, A604 PERGAMON, A604 PISTACHIO, A606, A674S |
| P106B | A602, A603, A604, A604 FLOWER, A604 SHELL, A604 ZEN, A604 BAHAMA, A604 PERGAMON, A604 PISTACHIO, A606, A674S |
| P113 | A602, A603, A604, A604 FLOWER, A604 SHELL, A604 ZEN, A604 BAHAMA, A604 PERGAMON, A604 PISTACHIO, A606, A674S |
| Z0137B-ND | A64, A65, A66, A67 |
| Z0952-ND | A64SLIM, A67SLIM |

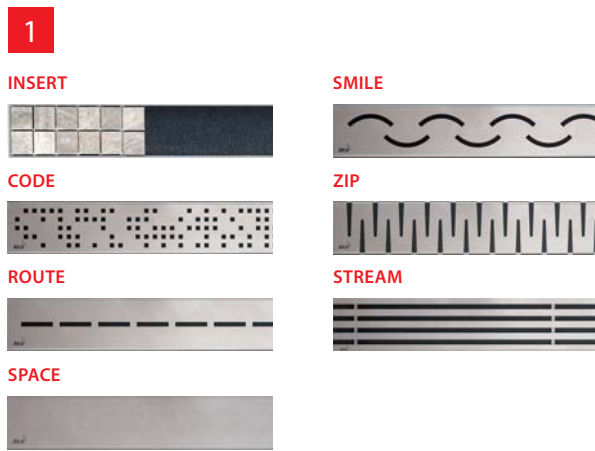


Linear drains

| | |
|---|----|
| Linear shower drains _____ | 64 |
| Waste systems _____ | 74 |
| Corner shower drain _____ | 79 |
| Linear shower drains Antivandal _____ | 80 |
| Linear shower drains – accessories _____ | 81 |
| Plastic linear shower drains _____ | 82 |
| Stainless steel strips for sloped floor _____ | 81 |
| Swimming pool grates _____ | 86 |

Stainless steel linear shower drain APZ13 Modular

The stainless steel linear shower drain APZ13 was designed as a modular product according to the highest standards of the Western European markets. We offer 3 length variants with 3 optional traps and 7 grids. The grids range includes perforated and full grids, grids for embedding tiles and prismatic grid (parallel bars).



2 APZ13 Modular
Shower drain
(750, 850, 950 mm)



| | |
|------------------------------|---------------|
| Quantity (packing) APZ13-850 | 20 pcs |
| Dimensions (piece) APZ13-850 | 940x156x84 mm |
| Weight (piece) APZ13-850 | 2.0398 kg |



3 APZ-S6
Extra-low trap DN40 and set of adjustable legs



APZ-S9
Low trap DN50 and set of adjustable legs



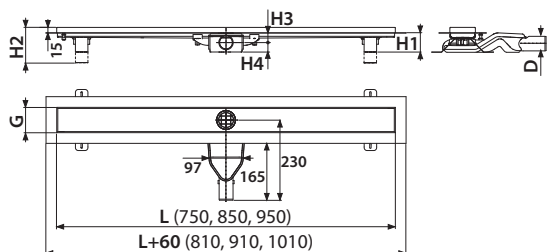
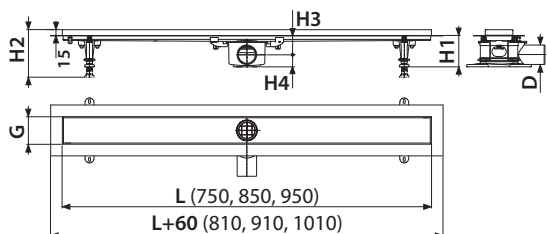
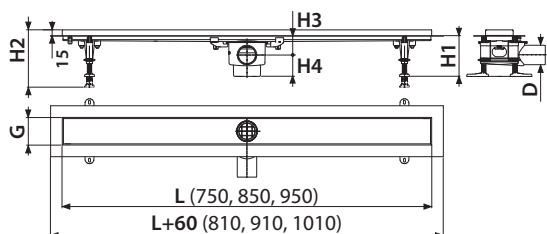
APZ-S12
Trap DN50 and set of adjustable legs

P143 **N** FROM II. Q
Combined odour trap
for APZ-S6 for drain
APZ13

P144 **N** FROM III. Q
Combined odour trap
for APZ-S9 for drain
APZ13

P145 **N** FROM III. Q
Combined odour trap
for APZ-S12 for drain
APZ13



APZ13 Modular + APZ-S6

APZ13 Modular + APZ-S9

APZ13 Modular + APZ-S12

CODE

Stainless steel-polished / Stainless steel-matt


ROUTE

Stainless steel-polished / Stainless steel-matt


SMILE

Stainless steel-polished / Stainless steel-matt


ZIP

Stainless steel-polished / Stainless steel-matt


INSERT

Grid for embedding tiles


SPACE

Stainless steel-matt


STREAM

Stainless steel-matt



| | |
|-----------------------------|--------------|
| Quantity (packing) CODE-850 | 1 pc |
| Dimensions (piece) CODE-850 | 855x76x40 mm |
| Weight (piece) CODE-850 | 1.2047 kg |

APZ13 + APZ-S6/APZ-S9/APZ-S12

| | |
|--|----------------------------|
| Minimum floor thickness (H1) | 54/81/105 mm |
| Total installation height (H2) | 69-86/96-170/120-170 mm |
| Height from the axis of the waste to the collar (H3) | 24/50/50 mm |
| Height from the axis of the waste to the bottom of the trap (H4) | 30/31/55 mm |
| Drain channel width (G) | 71 mm |
| Flow rate (EN 1253-1) | 40/50/58 l/min |
| Outlet pipe diameter (D) | Ø40/50/50 |
| Load class (EN 1253-1) | K3 = max. 300 kg |
| Material – drain body (ČSN 17240) | stainless steel DIN 1.4301 |
| Material – odour trap | polypropylene |
| Drain channel length (L) | 750, 850, 950 mm |

APZ13 Fit and Go

All in one package. Shower drain APZ13 with two-sided grid DOUBLE.

Set APZ13 "Fit and Go" includes shower drain, low trap APZ-S9 (81 mm) and new two-sided grid DOUBLE. "Fit and Go" is a solution for easy and fast installation.

APZ13-DOUBLE9 Fit and Go

Shower drain
(750, 850, 950 mm)

N FROM III. Q



All in package

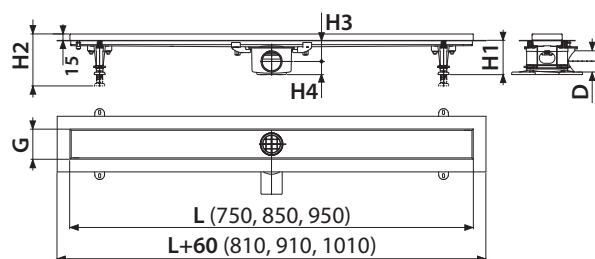


25
YEAR GUARANTEE



Package content

- Linear shower drain
- Two-sided grid DOUBLE (full grid or grid for tile embedding)
- Waterproof tape at the length of the linear drain
- Low odour trap APZ-S9
- Anchoring kit (screws, dowels)
- Installation legs
- Dismantling hook



APZ13 Fit and Go

| | |
|--|----------------------------|
| Minimum floor thickness (H1) | 81 mm |
| Total installation height (H2) | 96–170 mm |
| Height from the axis of the waste to the collar (H3) | 50 mm |
| Height from the axis of the waste to the bottom of the trap (H4) | 31 mm |
| Drain channel width (G) | 71 mm |
| Flow rate (EN 1253-1) | 50 l/min |
| Outlet pipe diameter (D) | Ø50 |
| Load class (EN 1253-1) | K3 = max. 300 kg |
| Material – drain body | stainless steel DIN 1.4301 |
| Material – odour trap | polypropylene |
| Drain channel length (L) | 750, 850, 950 mm |

P144

Combined odour trap for APZ-S9 for drain APZ13

N FROM III. Q



Two-sided grid DOUBLE

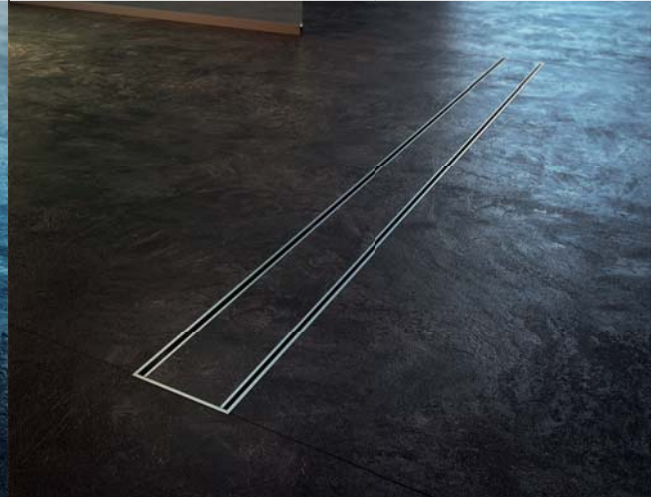
The grid DOUBLE gives the choice – either full stainless steel grid in the design SPACE or by simply rotating the grid INSERT for embedding tiles.

You can make the final decision even after installation of the shower drain without any construction modifications.

Two-sided grid DOUBLE offers both grid versions in one.

DOUBLE

Stainless steel-matt / Grid for embedding tiles
The grid is included

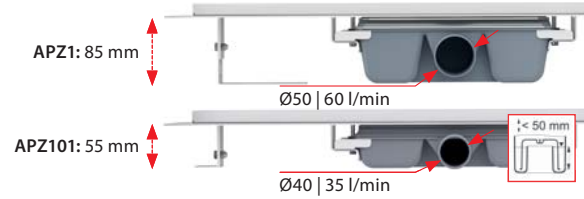


APZ1, APZ101 Low

Shower drain with an edge for perforated grids
(300, 550, 650, 750, 850, 950, 1050, 1150, 1450 mm)



25
YEAR GUARANTEE

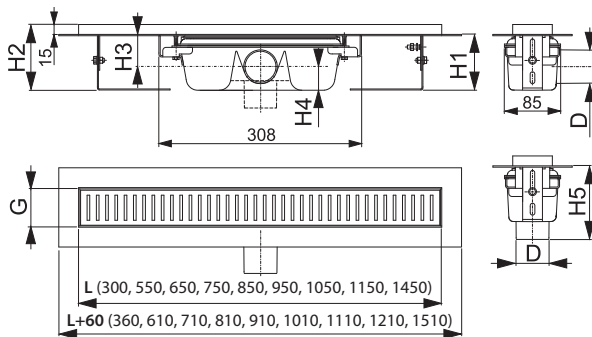
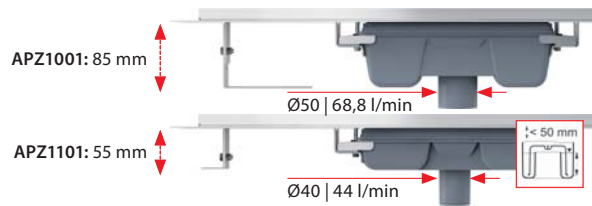


APZ1001, APZ1101 Low

Shower drain with an edge for perforated grids, straight outlet
(300, 550, 650, 750, 850, 950, 1050, 1150, 1450 mm)



25
YEAR GUARANTEE



| | APZ1/1001 | APZ101/1101 |
|--|---|------------------|
| Minimum floor thickness (H1) | 85 mm | 55 mm |
| Total installation height (H2) | 100–158 mm | 70–96 mm |
| Height from the axis of the waste to the collar (H3) | 48/- mm | 33,5/- mm |
| Height from the axis of the waste to the bottom of the trap (H4) | 36/- mm | 21,5/- mm |
| Building height to the waste (H5) | -/111 mm | -/100 mm |
| Drain channel width (G) | 60 mm | 60 mm |
| Flow rate (EN 1253-1) | 60/68,8 l/min | 35/44 l/min |
| Outlet pipe diameter (D) | Ø50 | Ø40 |
| Load class (EN 1253-1) | | K3 = max. 300 kg |
| Material – drain body | stainless steel DIN 1.4301 | |
| Material – odour trap | polypropylene | |
| Drain channel length (L) | 300, 550, 650, 750, 850, 950, 1050, 1150, 1450 mm | |

| | |
|-----------------------------|----------------|
| Quantity (packing) APZ1-850 | 12 pcs |
| Dimensions (piece) APZ1-850 | 920x135x170 mm |
| Weight (piece) APZ1-850 | 3.3674 kg |

LINE

Stainless steel-polished / Stainless steel-matt



PURE

Stainless steel-polished / Stainless steel-matt



CUBE

Stainless steel-polished / Stainless steel-matt



HOPE

Stainless steel-polished / Stainless steel-matt



BUBLE

Stainless steel-polished / Stainless steel-matt



DREAM

Stainless steel-polished / Stainless steel-matt



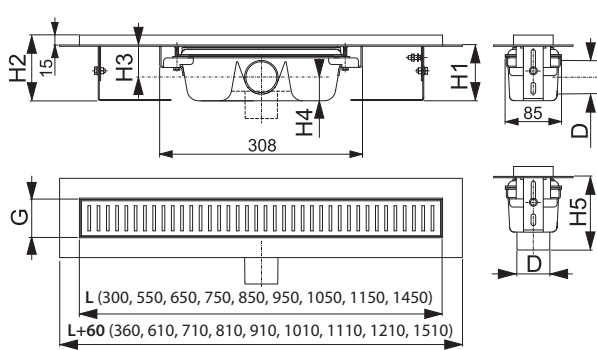
| | |
|-----------------------------|--------------|
| Quantity (packing) LINE-850 | 1 pc |
| Dimensions (piece) LINE-850 | 890x20x55 mm |
| Weight (piece) LINE-850 | 0.6485 kg |

APZ1BLACK, APZ101BLACK Low

Shower drain with an edge for perforated grids, black-matt (300, 550, 650, 750, 850, 950, 1050, 1150, 1450 mm)

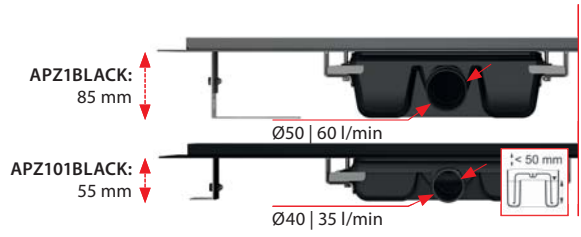


25
YEAR GUARANTEE



| | APZ1BLACK | APZ101BLACK |
|--|---|------------------|
| Minimum floor thickness (H1) | 85 mm | 55 mm |
| Total installation height (H2) | 100–158 mm | 70–96 mm |
| Height from the axis of the waste to the collar (H3) | 48 mm | 33,5 mm |
| Height from the axis of the waste to the bottom of the trap (H4) | 36 mm | 21,5 mm |
| Building height to the waste (H5) | – mm | – mm |
| Drain channel width (G) | 60 mm | 60 mm |
| Flow rate (EN 1253-1) | 60 l/min | 35 l/min |
| Outlet pipe diameter (D) | Ø50 | Ø40 |
| Load class (EN 1253-1) | | K3 = max. 300 kg |
| Material – drain body | stainless steel DIN 1.4301 | |
| Material – odour trap | polypropylene | |
| Drain channel length (L) | 300, 550, 650, 750, 850, 950, 1050, 1150, 1450 mm | |

| | |
|----------------------------------|----------------|
| Quantity (packing) APZ1BLACK-850 | 12 pcs |
| Dimensions (piece) APZ1BLACK-850 | 920x135x170 mm |
| Weight (piece) APZ1BLACK-850 | 3.3674 kg |



PURE BLACK

Black-matt



| | |
|-----------------------------------|--------------|
| Quantity (packing) PURE-850 BLACK | 1 pc |
| Dimensions (piece) PURE-850 BLACK | 890x20x55 mm |
| Weight (piece) PURE-850 BLACK | 0.7522 kg |

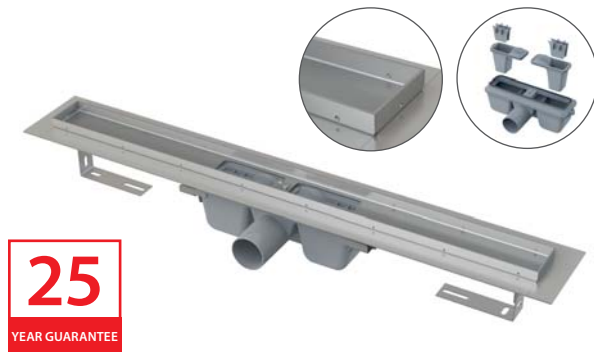
The grid is not included



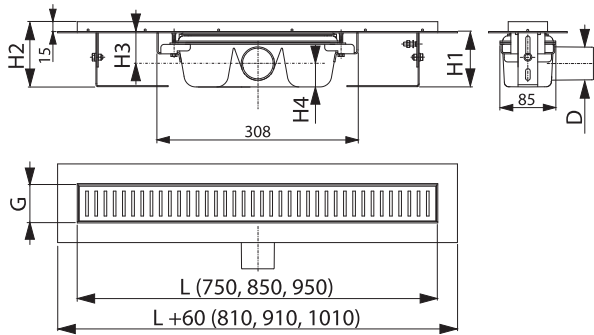
APZ1S, APZ101S

Shower drain with an edge for perforated grids
(750, 850, 950 mm)

N

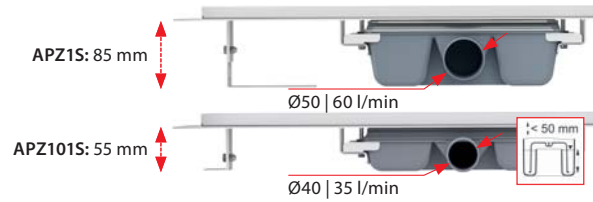


25
YEAR GUARANTEE



| | APZ1S | APZ101S |
|--|----------------------------|----------|
| Minimum floor thickness (H1) | 85 mm | 55 mm |
| Total installation height (H2) | 100–158 mm | 70–96 mm |
| Height from the axis of the waste to the collar (H3) | 48 mm | 33,5 mm |
| Height from the axis of the waste to the bottom of the trap (H4) | 36 mm | 21,5 mm |
| Building height to the waste (H5) | – mm | – mm |
| Drain channel width (G) | 60 mm | 60 mm |
| Flow rate (EN 1253-1) | 60 l/min | 35 l/min |
| Outlet pipe diameter (D) | Ø50 | Ø40 |
| Load class (EN 1253-1) | K3 = max. 300 kg | |
| Material – drain body (ČSN 17240) | stainless steel DIN 1.4301 | |
| Material – odour trap | polypropylene | |
| Drain channel length (L) | 750, 850, 950mm | |

| | |
|------------------------------|----------------|
| Quantity (packing) APZ1S-850 | 12 pcs |
| Dimensions (piece) APZ1S-850 | 920x135x170 mm |
| Weight (piece) APZ1S-850 | 3,6829 kg |



LINE

Stainless steel-polished / Stainless steel-matt



PURE

Stainless steel-polished / Stainless steel-matt



CUBE

Stainless steel-polished / Stainless steel-matt



HOPE

Stainless steel-polished / Stainless steel-matt



BUBLE

Stainless steel-polished / Stainless steel-matt



DREAM

Stainless steel-polished / Stainless steel-matt



| | |
|-----------------------------|--------------|
| Quantity (packing) LINE-850 | 1 pc |
| Dimensions (piece) LINE-850 | 890x20x55 mm |
| Weight (piece) LINE-850 | 0,6485 kg |

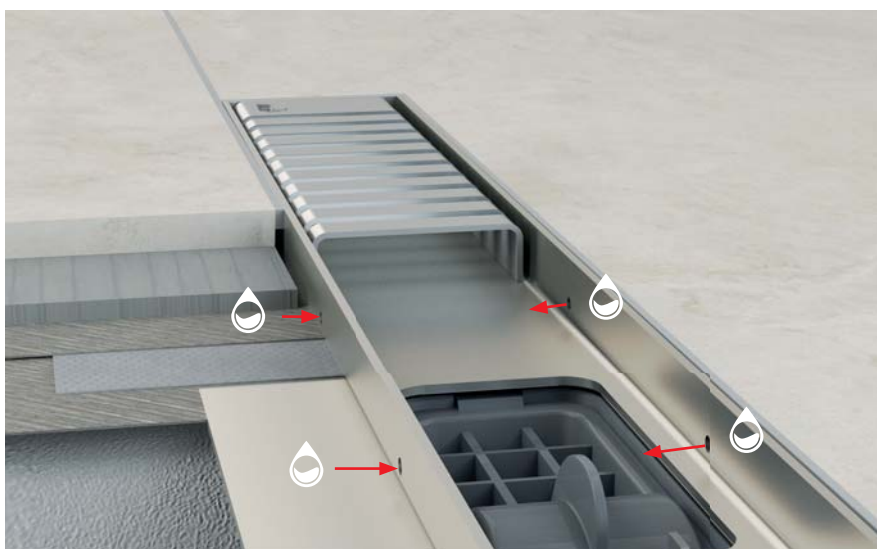
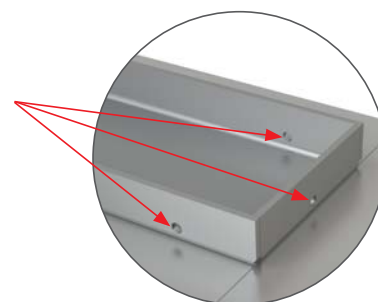
Secondary drainage – shower drains APZ1S, APZ101S

The current trend in the construction industry places emphasis on new materials and proper waterproofing especially in wooden construction houses. The new technical solution of our linear shower drains APZ1S and APZ101S ensures moisture drainage between the tiles and waterproofing back into the shower drain body.



New Trend – Solution for wooden construction houses

- drainage holes in the shower drain body Ø 3 mm
- increased protection of waterproofing in the bathroom



Principle of secondary drainage

Water from the shower enclosure primarily flows through the grid into the shower drain and then through a trap to waste pipe. Porous sealings or cracks between the tiles and shower drain can cause humidity leakage under the tiles. The secondary drainage ensures that condensed water from the waterproofing drains through the holes back to the shower drain body. It provides an additional drainage of the shower enclosure.



Professional installation

When selecting this type of shower drain it is absolutely necessary to ensure the correct installation and consolidated waterproofing to be sure the function of secondary drainage works well.

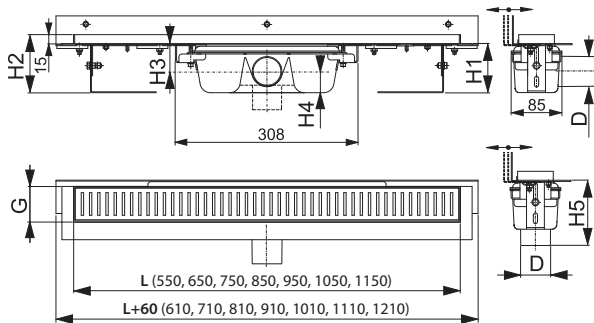
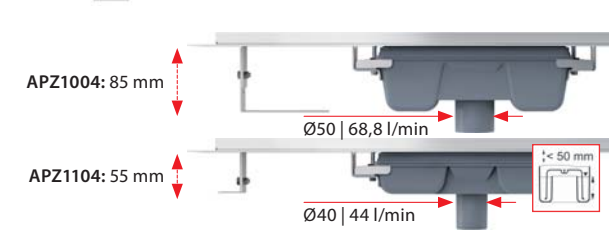
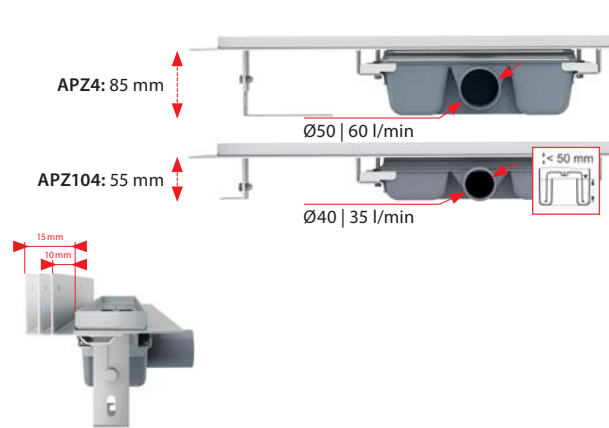
APZ4 Flexible, APZ104 Flexible Low

Shower drain with an edge for perforated grids and adjustable vertical flange to the wall (550, 650, 750, 850, 950, 1050, 1150 mm)



APZ1004 Flexible, APZ1104 Flexible Low

Shower drain with an edge for perforated grids and adjustable vertical flange to the wall, straight outlet (550, 650, 750, 850, 950, 1050, 1150 mm)



| | APZ4/1004 | APZ104/1104 |
|--|--|-------------|
| Minimum floor thickness (H1) | 85 mm | 55 mm |
| Total installation height (H2) | 100–158 mm | 70–96 mm |
| Height from the axis of the waste to the collar (H3) | 48/- mm | 33,5/- mm |
| Height from the axis of the waste to the bottom of the trap (H4) | 36/- mm | 21,5/- mm |
| Building height to the waste (H5) | -/111 mm | -/100 mm |
| Drain channel width (G) | 60 mm | 60 mm |
| Flow rate (EN 1253-1) | 60/68,8 l/min | 35/44 l/min |
| Outlet pipe diameter (D) | Ø50 | Ø40 |
| Load class (EN 1253-1) | K3 = max. 300 kg | |
| Movable flange range | 10–15 mm | 10–15 mm |
| Material – drain body | stainless steel DIN 1.4301 | |
| Material – odour trap | polypropylene | |
| Drain channel length (L) | 550, 650, 750, 850, 950, 1050, 1150 mm | |

| | |
|-----------------------------|----------------|
| Quantity (packing) APZ4-850 | 8 pcs |
| Dimensions (piece) APZ4-850 | 920x160x205 mm |
| Weight (piece) APZ4-850 | 4.4789 kg |

LINE

Stainless steel-polished / Stainless steel-matt



PURE

Stainless steel-polished / Stainless steel-matt



CUBE

Stainless steel-polished / Stainless steel-matt



HOPE

Stainless steel-polished / Stainless steel-matt



BUBLE

Stainless steel-polished / Stainless steel-matt



DREAM

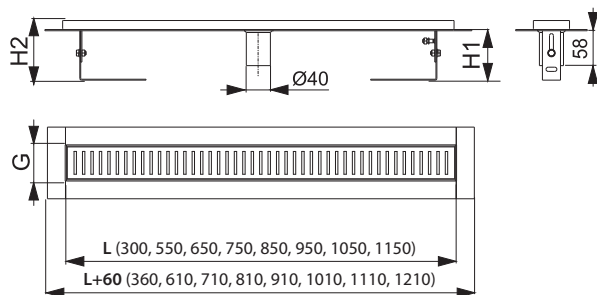
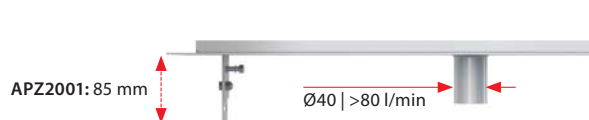
Stainless steel-polished / Stainless steel-matt



| | |
|-----------------------------|--------------|
| Quantity (packing) LINE-850 | 1 pc |
| Dimensions (piece) LINE-850 | 890x20x55 mm |
| Weight (piece) LINE-850 | 0.6485 kg |

APZ2001

Shower drain with an edge for perforated grids, without odour trap (300, 550, 650, 750, 850, 950, 1050, 1150 mm)



| APZ2001 | |
|--------------------------------|---|
| Minimum floor thickness (H1) | 85 mm |
| Total installation height (H2) | 100–158 mm |
| Drain channel width (G) | 60 mm |
| Flow rate (EN 1253-1) | >80 l/min |
| Outlet pipe diameter | Ø40 |
| Load class (EN 1253-1) | K3 = max. 300 kg |
| Material – drain body | stainless steel DIN 1.4301 |
| Drain channel length (L) | 300, 550, 650, 750, 850, 950, 1050, 1150 mm |

| | |
|--------------------------------|----------------|
| Quantity (packing) APZ2001-850 | 12 pcs |
| Dimensions (piece) APZ2001-850 | 920x170x135 mm |
| Weight (piece) APZ2001-850 | 3.2992 kg |

LINE

Stainless steel-polished / Stainless steel-matt



PURE

Stainless steel-polished / Stainless steel-matt



CUBE

Stainless steel-polished / Stainless steel-matt



HOPE

Stainless steel-polished / Stainless steel-matt



BUBBLE

Stainless steel-polished / Stainless steel-matt



DREAM

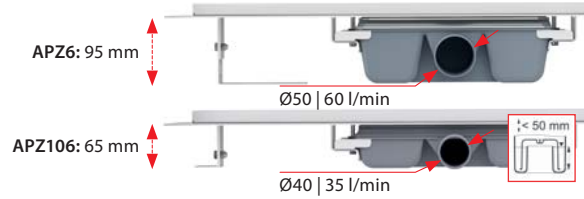
Stainless steel-polished / Stainless steel-matt



| | |
|-----------------------------|--------------|
| Quantity (packing) LINE-850 | 1 pc |
| Dimensions (piece) LINE-850 | 890x20x55 mm |
| Weight (piece) LINE-850 | 0.6485 kg |

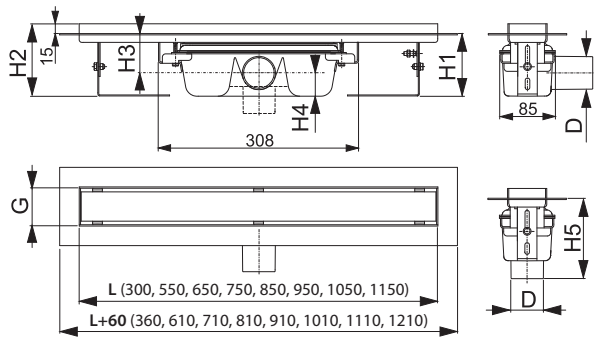
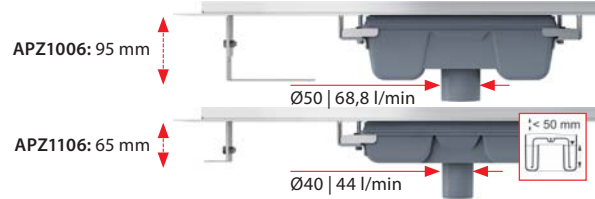
APZ6 Professional, APZ106 Professional Low

Shower drain with an edge for full grids
(300, 550, 650, 750, 850, 950, 1050, 1150 mm)



APZ1006 Professional, APZ1106 Professional Low

Shower drain with an edge for full grids, straight outlet
(300, 550, 650, 750, 850, 950, 1050, 1150 mm)



| | APZ6/1006 | APZ106/1106 |
|--|---|-------------|
| Minimum floor thickness (H1) | 95 mm | 65 mm |
| Total installation height (H2) | 110–168 mm | 80–106 mm |
| Height from the axis of the waste to the collar (H3) | 59/- mm | 44,5/- mm |
| Height from the axis of the waste to the bottom of the trap (H4) | 36/- mm | 21,5/- mm |
| Building height to the waste (H5) | -/122 mm | -/110 mm |
| Drain channel width (G) | 60 mm | 60 mm |
| Flow rate (EN 1253-1) | 60/68,8 l/min | 35/44 l/min |
| Outlet pipe diameter (D) | Ø50 | Ø40 |
| Material – drain body | stainless steel DIN 1.4301 | |
| Material – odour trap | polypropylene | |
| Drain channel length (L) | 300, 550, 650, 750, 850, 950, 1050, 1150 mm | |

| | |
|-----------------------------|----------------|
| Quantity (packing) APZ6-850 | 12 pcs |
| Dimensions (piece) APZ6-850 | 920x135x170 mm |
| Weight (piece) APZ6-850 | 3.9031 kg |

POSH

Stainless steel-matt

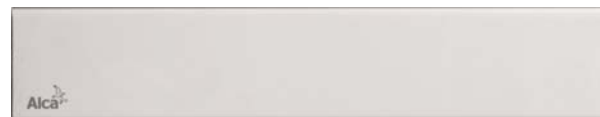


| | |
|-----------------------------|--------------|
| Quantity (packing) POSH-850 | 1 pc |
| Dimensions (piece) POSH-850 | 860x35x65 mm |
| Weight (piece) POSH-850 | 1.9787 kg |



DESIGN

Stainless steel-polished / Stainless steel-matt



DESIGN-ANTIC

Bronze-antic



| | |
|-------------------------------|--------------|
| Quantity (packing) DESIGN-850 | 1 pc |
| Dimensions (piece) DESIGN-850 | 860x35x65 mm |
| Weight (piece) DESIGN-850 | 0.8614 kg |

GAP

Stainless steel-matt



| | |
|----------------------------|--------------|
| Quantity (packing) GAP-850 | 1 pc |
| Dimensions (piece) GAP-850 | 860x65x35 mm |
| Weight (piece) GAP-850 | 1.619 kg |

FLOOR

Grid for embedding tiles



| | |
|------------------------------|--------------|
| Quantity (packing) FLOOR-850 | 1 pc |
| Dimensions (piece) FLOOR-850 | 860×35×65 mm |
| Weight (piece) FLOOR-850 | 0.9123 kg |

GL1200

Glass-white



GL1202

Glass-green



GL1204

Glass-black



| | |
|-------------------------------|---------------|
| Quantity (packing) GL1200-850 | 1 pc |
| Dimensions (piece) GL1200-850 | 1200×0×Ø60 mm |
| Weight (piece) GL1200-850 | 1.6431 kg |

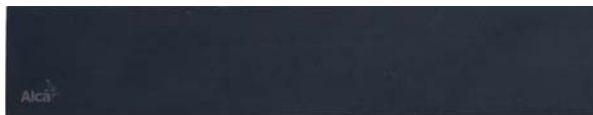
MI1200

Artificial stone-white



MI1205

Artificial stone-black



MI1206

Artificial stone-sand



MI1207

Artificial stone-granite



| | |
|-------------------------------|---------------|
| Quantity (packing) MI1200-850 | 1 pc |
| Dimensions (piece) MI1200-850 | 1200×0×Ø60 mm |
| Weight (piece) MI1200-850 | 1.4891 kg |

STAINLESS STEEL

These grids have the following codes:

DESIGN – the basis is a stainless steel U-profile, with rounded edges. Two different finishes are available: polished and brushed matt.

POSH – a solid stainless steel plate is attached to the standard U-profile, with clean lines and well-defined edges. Surface finish is brushed matt.

Load class – K3.

GLASS

These grids have the following codes:

GL line – tempered glass

The grids are based on stainless steel U-profiles to which a solid piece of tempered glass is attached, available in a range of colours and with a high gloss finish. The special, toughened glass conforms to the relevant safety regulations EN 12150-2.

Load class – H1.5.

MINERAL

These grids have the following codes:

MI line – artificial stone

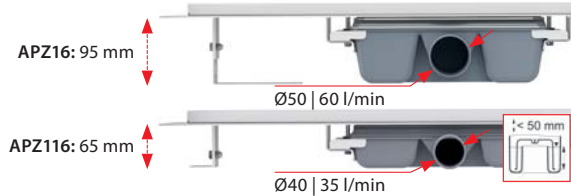
The grids are based on stainless steel U-profiles to which a solid, polished block of artificial stone is attached, available in a range of colours and with a matt finish.

Grids are resistant to breaking, cleaning agents and other chemicals. Thanks to their low thermal conductivity, they are not cold when touched. Unsightly stains from drops of water that have dried on its surface are relatively inconspicuous.

Load class – H1.5.

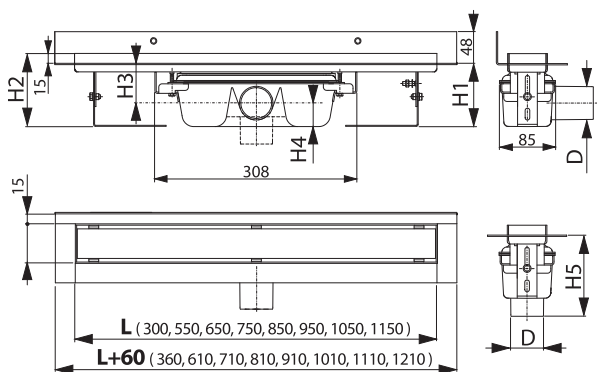
APZ16 Wall, APZ116 Wall Low

Shower drain with an edge for full grids and fixed vertical flange to the wall (300, 550, 650, 750, 850, 950, 1050, 1150 mm)



APZ1016 Wall, APZ1116 Wall Low

Shower drain with an edge for full grids and fixed vertical flange to the wall, straight outlet (300, 550, 650, 750, 850, 950, 1050, 1150 mm)



| | APZ16/1016 | APZ116/1116 |
|--|---|-------------|
| Minimum floor thickness (H1) | 95 mm | 65 mm |
| Total installation height (H2) | 110–168 mm | 80–106 mm |
| Height from the axis of the waste to the collar (H3) | 59/- mm | 44,5/- mm |
| Height from the axis of the waste to the bottom of the trap (H4) | 36/- mm | 21,5/- mm |
| Building height to the waste (H5) | -/122 mm | -/110 mm |
| Drain channel width (G) | 60 mm | 60 mm |
| Flow rate (EN 1253-1) | 60/68,8 l/min | 35/44 l/min |
| Outlet pipe diameter (D) | Ø50 | Ø40 |
| Material – drain body | stainless steel DIN 1.4301 | |
| Material – odour trap | polypropylene | |
| Drain channel length (L) | 300, 550, 650, 750, 850, 950, 1050, 1150 mm | |

| | |
|------------------------------|----------------|
| Quantity (packing) APZ16-850 | 8 pcs |
| Dimensions (piece) APZ16-850 | 920x205x106 mm |
| Weight (piece) APZ16-850 | 4.4987 kg |

POSH

Stainless steel-matt

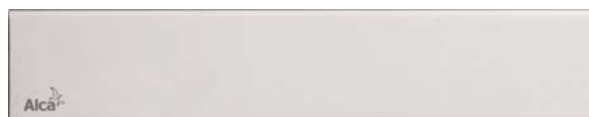


| | |
|-----------------------------|--------------|
| Quantity (packing) POSH-850 | 1 pc |
| Dimensions (piece) POSH-850 | 860x35x65 mm |
| Weight (piece) POSH-850 | 1.9787 kg |



DESIGN

Stainless steel-polished / Stainless steel-matt



DESIGN-ANTIC

Bronze-antic



| | |
|-------------------------------|--------------|
| Quantity (packing) DESIGN-850 | 1 pc |
| Dimensions (piece) DESIGN-850 | 860x35x65 mm |
| Weight (piece) DESIGN-850 | 0.8614 kg |

GAP

Stainless steel-matt



| | |
|----------------------------|--------------|
| Quantity (packing) GAP-850 | 1 pc |
| Dimensions (piece) GAP-850 | 860x65x35 mm |
| Weight (piece) GAP-850 | 1.619 kg |

FLOOR

Grid for embedding tiles



| | |
|------------------------------|--------------|
| Quantity (packing) FLOOR-850 | 1 pc |
| Dimensions (piece) FLOOR-850 | 860x35x65 mm |
| Hmotnost (kus) FLOOR-850 | 0.9123 kg |

GL1200

Glass-white



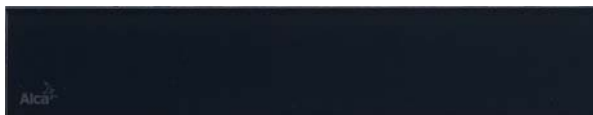
GL1202

Glass-green



GL1204

Glass-black



| | |
|-------------------------------|---------------|
| Quantity (packing) GL1200-850 | 1 pc |
| Dimensions (piece) GL1200-850 | 1200x0xØ60 mm |
| Weight (piece) GL1200-850 | 1.6431 kg |

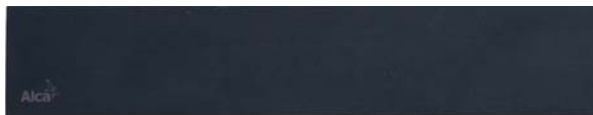
MI1200

Artificial stone-white



MI1205

Artificial stone-black



MI1206

Artificial stone-sand



MI1207

Artificial stone-granite



| | |
|-------------------------------|---------------|
| Quantity (packing) MI1200-850 | 1 pc |
| Dimensions (piece) MI1200-850 | 1200x0xØ60 mm |
| Weight (piece) MI1200-850 | 1.4891 kg |

STAINLESS STEEL

These grids have the following codes:

DESIGN – the basis is a stainless steel U-profile, with rounded edges. Two different finishes are available: polished and brushed matt.

POSH – a solid stainless steel plate is attached to the standard U-profile, with clean lines and well-defined edges. Surface finish is brushed matt.

Load class – K3.

GLASS

These grids have the following codes:

GL line – tempered glass

The grids are based on stainless steel U-profiles to which a solid piece of tempered glass is attached, available in a range of colours and with a high gloss finish. The special, toughened glass conforms to the relevant safety regulations EN 12150-2.

Load class – H1.5.

MINERAL

These grids have the following codes:

MI line – artificial stone

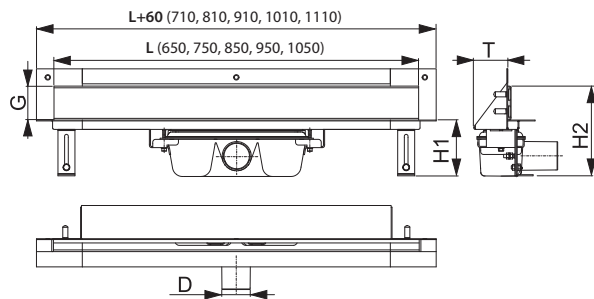
The grids are based on stainless steel U-profiles to which a solid, polished block of artificial stone is attached, available in a range of colours and with a matt finish.

Grids are resistant to breaking, cleaning agents and other chemicals. Thanks to their low thermal conductivity, they are not cold when touched. Unsightly stains from drops of water that have dried on its surface are relatively inconspicuous.

Load class – H1.5.

APZ5-EDEN Spa
APZ5-SHADE Spa
APZ5-TWIN Spa

Waste system for installation in walls
 (650, 750, 850, 950, 1050 mm)



| APZ5 | |
|--------------------------------|-----------------------------|
| Minimum floor thickness (H1) | 100 mm |
| Total installation height (H2) | 165–220 mm |
| Cover width (G) | 60 mm |
| Flow rate (EN 1253-1) | 60 l/min |
| Outlet pipe diameter (D) | Ø50 |
| Installation depth (T) | 85 mm |
| Material – drain body | stainless steel DIN 1.4301 |
| Material – odour trap | polypropylene |
| Drain channel length (L) | 650, 750, 850, 950, 1050 mm |

| | |
|-----------------------------------|----------------|
| Quantity (packing) APZ5-SHADE-850 | 8 pcs |
| Dimensions (piece) APZ5-SHADE-850 | 920x160x205 mm |
| Weight (piece) APZ5-SHADE-850 | 6.2432 kg |

APZ5-EDEN Spa

Cover stainless steel-polished



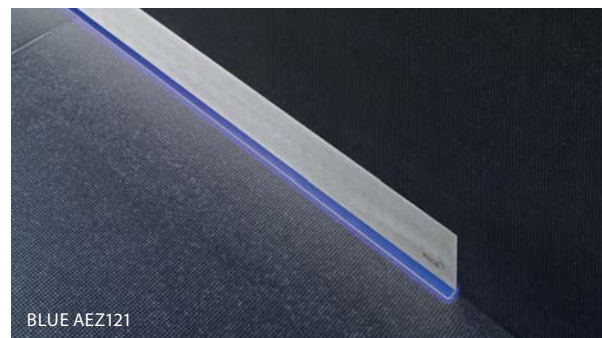
APZ5-SHADE Spa

Cover stainless steel-matt



APZ5-TWIN Spa

Cover for embedding tiles



ALCA LIGHT

APZ5 Spa backlighting

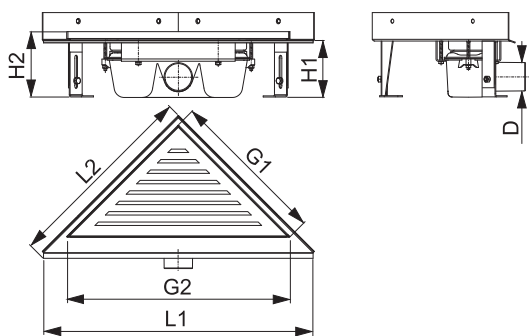
Length varieties of backlighting for APZ5 Spa shower drains

| Lighting colour | Length of the drain (mm) | 650 | 750 | 850 | 950 | 1050 |
|-----------------|---|-------------|-------------|-------------|-------------|--------------|
| White | Code of backlighting in the length of the drain | AEZ 120-650 | AEZ 120-750 | AEZ 120-850 | AEZ 120-950 | AEZ 120-1050 |
| Blue | | AEZ 121-650 | AEZ 121-750 | AEZ 121-850 | AEZ 121-950 | AEZ 121-1050 |
| Green | | AEZ 122-650 | AEZ 122-750 | AEZ 122-850 | AEZ 122-950 | AEZ 122-1050 |
| Red | | AEZ 123-650 | AEZ 123-750 | AEZ 123-850 | AEZ 123-950 | AEZ 123-1050 |
| Rainbow | | AEZ 124-650 | AEZ 124-750 | AEZ 124-850 | AEZ 124-950 | AEZ 124-1050 |

Source for backlighting APZ5 Spa – AEZ 310, AEZ311, AEZ320 – page 32

ARZ1

Corner shower drain without an edge for perforated grids

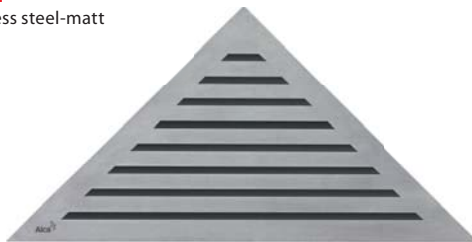


| ARZ1 | |
|--------------------------------|----------------------------|
| Minimum floor thickness (H1) | 100 mm |
| Total installation height (H2) | 110–170 mm |
| Drain dimensions (L1×L2) | 475×340 mm |
| Grid dimensions (G1×G2) | 270×382 mm |
| Flow rate (EN 1253-1) | 60 l/min |
| Outlet pipe diameter (D) | Ø50 |
| Load class (EN 1253-1) | K3 = max. 300 kg |
| Material – drain body | stainless steel DIN 1.4301 |
| Material – odour trap | polypropylene |

| | |
|-------------------------|----------------|
| Quantity (packing) ARZ1 | 4 pcs |
| Dimensions (piece) ARZ1 | 490×125×330 mm |
| Weight (piece) ARZ1 | 3.1764 kg |

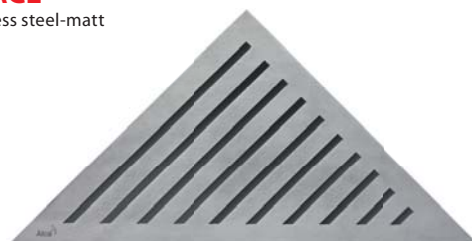
LIFE

Stainless steel-matt



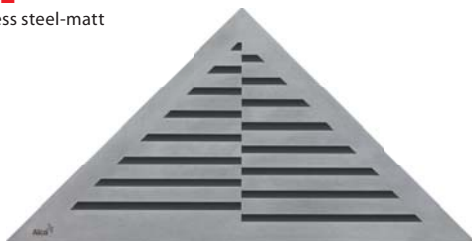
GRACE

Stainless steel-matt



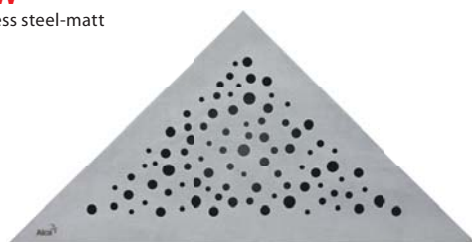
TIME

Stainless steel-matt



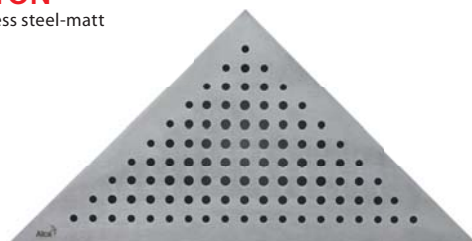
VIEW

Stainless steel-matt



TRITON

Stainless steel-matt



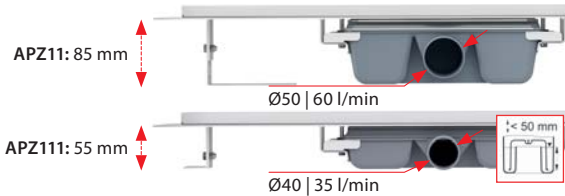
| | |
|-------------------------|---------------|
| Quantity (packing) LIFE | 1 pc |
| Dimensions (piece) LIFE | 390×20×195 mm |
| Weight (piece) LIFE | 1.2319 kg |

APZ11 Antivandal, APZ111 Antivandal Low

Shower drain Antivandal with grid
(300, 550, 650, 750, 850, 950, 1050, 1150 mm)



25
YEAR GUARANTEE



APZ1011 Antivandal, APZ1111 Antivandal Low

Shower drain Antivandal with grid, straight outlet
(300, 550, 650, 750, 850, 950, 1050, 1150 mm)



25
YEAR GUARANTEE

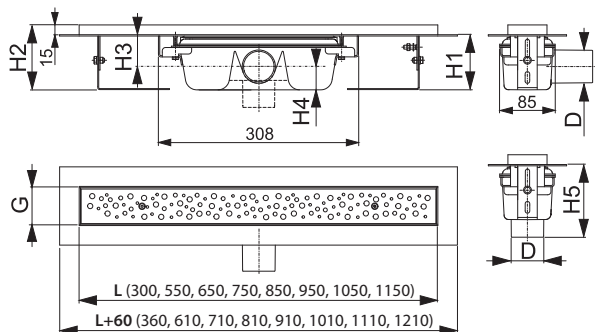


BUBLE

Stainless steel-polished / Stainless steel-matt



The grid is included



| | APZ11/1011 | APZ111/1111 |
|--|---|-------------|
| Minimum floor thickness (H1) | 85 mm | 55 mm |
| Total installation height (H2) | 100–158 mm | 70–96 mm |
| Height from the axis of the waste to the collar (H3) | 48/- mm | 33,5/- mm |
| Height from the axis of the waste to the bottom of the trap (H4) | 36/- mm | 21,5/- mm |
| Building height to the waste (H5) | -/111 mm | -/100 mm |
| Drain channel width (G) | 60 mm | 60 mm |
| Flow rate (EN 1253-1) | 60/68,8 l/min | 35/44 l/min |
| Outlet pipe diameter (D) | Ø50 | Ø40 |
| Load class (EN 1253-1) | K3 = max. 300 kg | |
| Material – drain body | stainless steel DIN 1.4301 | |
| Material – odour trap | polypropylene | |
| Drain channel length (L) | 300, 550, 650, 750, 850, 950, 1050, 1150 mm | |

| | |
|------------------------------|----------------|
| Quantity (packing) APZ11-850 | 12 pcs |
| Dimensions (piece) APZ11-850 | 920x135x170 mm |
| Weight (piece) APZ11-850 | 4.3762 kg |

P095

Set of combined odour traps for stainless steel shower drains ALCA



| | |
|--------------------|-------|
| Quantity (packing) | 1 pc |
| Quantity (pallet) | - pcs |

P143

Combined odour trap for APZ-S6 for drain APZ13

N FROM II. Q



| | |
|--------------------|-------|
| Quantity (packing) | 1 pc |
| Quantity (pallet) | - pcs |

P144

Combined odour trap for APZ-S9 for drain APZ13

N FROM III. Q



| | |
|--------------------|-------|
| Quantity (packing) | 1 pc |
| Quantity (pallet) | - pcs |

P145

Combined odour trap for APZ-S12 for drain APZ13

N FROM III. Q



| | |
|--------------------|-------|
| Quantity (packing) | 1 pc |
| Quantity (pallet) | - pcs |

AHP80

Waterproof tape – length 1200 mm



| | |
|--------------------|-------|
| Quantity (packing) | 1 pc |
| Quantity (pallet) | - pcs |

APZ18 Simple

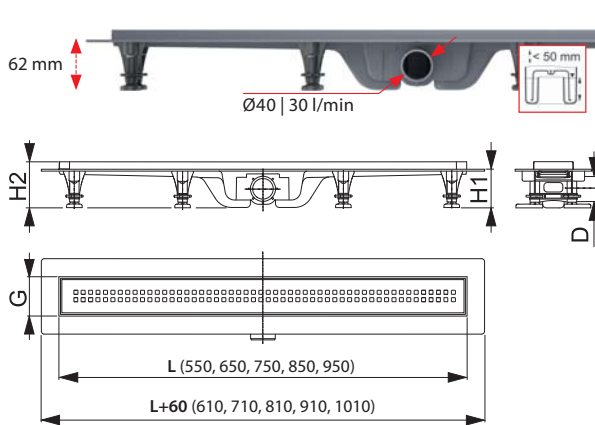
Shower drain with a stainless steel edge for perforated grids (550, 650, 750, 850, 950 mm)

N



APZ8 Simple APZ9 Simple APZ10 Simple

Shower drain with an edge for perforated grids (550, 650, 750, 850, 950 mm)



APZ8 / APZ9 / APZ10 / APZ18

| | |
|--------------------------------|----------------------------|
| Minimum floor thickness (H1) | 62 mm |
| Total installation height (H2) | 75–110 mm |
| Drain channel width (G) | 60 mm |
| Flow rate (EN 1253-1) | 30 l/min |
| Outlet pipe diameter (D) | Ø40 |
| Load class (EN 1253-1) | K3 = max. 300 kg |
| Material – drain body | polypropylene |
| Material – odour trap | polypropylene |
| Drain channel length (L) | 550, 650, 750, 850, 950 mm |

| | |
|------------------------------|---------------|
| Quantity (packing) APZ8-850M | 30 pcs |
| Dimensions (piece) APZ8-850M | 965×80×145 mm |
| Weight (piece) APZ8-850M | 2.1489 kg |

APZ18 Simple

Stainless steel-matt – the grid is included

N



APZ8 Simple

Stainless steel-matt – the grid is included



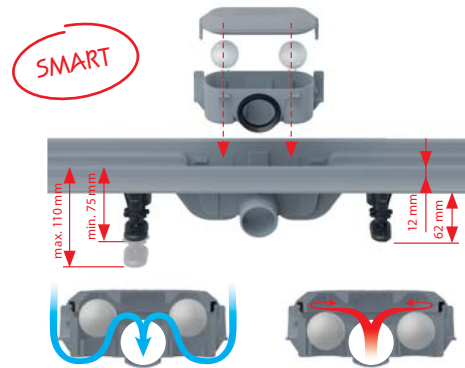
APZ9 Simple

Stainless steel-matt – the grid is included



APZ10 Simple

Stainless steel-matt – the grid is included



Package content

- Linear shower drain
- Grid
- Waterproof tape at the length of the linear drain
- Combined odour SMART trap
- Anchoring kit (screws, dowels)
- Installation legs
- Dismantling hook

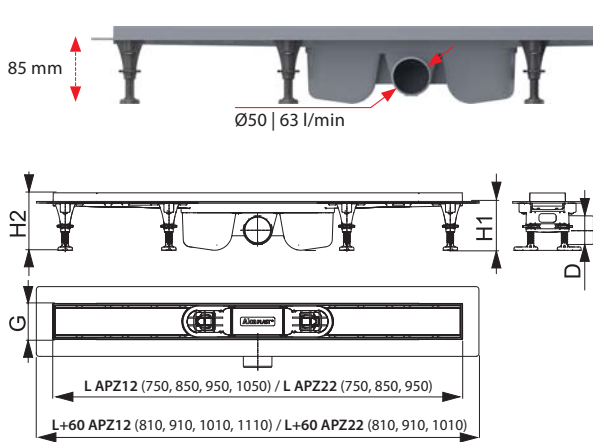
APZ22 Optimal

Shower drain with a stainless steel edge for perforated grids or tile embedding (750, 850, 950 mm)



APZ12 Optimal

Shower drain with an edge for perforated grids or tile embedding (750, 850, 950, 1050 mm)



| | APZ12 | APZ22 |
|--------------------------------|------------------------|--|
| Minimum floor thickness (H1) | 85 mm | 85 mm |
| Total installation height (H2) | 100–125 mm | 101–126 mm |
| Drain channel width (G) | 61,5 mm | 63 mm |
| Flow rate (EN 1253-1) | 63 l/min | 63 l/min |
| Outlet pipe diameter (D) | Ø50 | Ø50 |
| Load class (EN 1253-1) | | K3 = max. 300 kg |
| Material – drain body | polypropylene | stainless steel DIN 1.4301 / polypropylene |
| Material – odour trap | | polypropylene |
| Drain channel length (L) | 750, 850, 950, 1050 mm | 750, 850, 950 mm |

| | |
|------------------------------|----------------|
| Quantity (packing) APZ12-850 | 12 pcs |
| Dimensions (piece) APZ12-850 | 920x125x150 mm |
| Weight (piece) APZ12-850 | 1.51 kg |

LINE

Stainless steel-polished / Stainless steel-matt



PURE

Stainless steel-polished / Stainless steel-matt



CUBE

Stainless steel-polished / Stainless steel-matt



HOPE

Stainless steel-polished / Stainless steel-matt



BUBLE

Stainless steel-polished / Stainless steel-matt



DREAM

Stainless steel-polished / Stainless steel-matt



SOLID

Stainless steel-matt

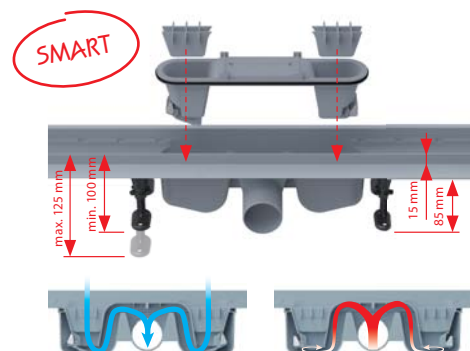


TILE

Grid for embedding tiles



| | |
|-----------------------------|--------------|
| Quantity (packing) LINE-850 | 1 pc |
| Dimensions (piece) LINE-850 | 890x20x55 mm |
| Weight (piece) LINE-850 | 0.6485 kg |



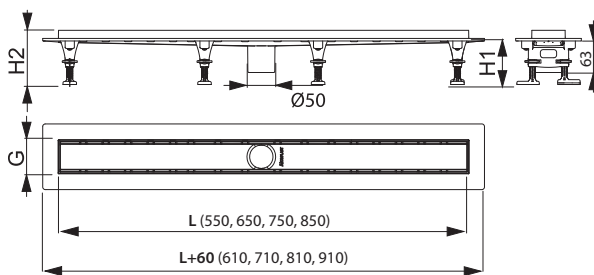
APZ2022 Optimal

Shower drain with a stainless steel edge for perforated grids or tile embedding, without odour trap (550, 650, 750, 850 mm)



APZ2012 Optimal

Shower drain with an edge for perforated grids or tile embedding, without odour trap (550, 650, 750, 850 mm)



| | APZ2012 | APZ2022 |
|--------------------------------|-----------------------|--|
| Minimum floor thickness (H1) | 85 mm | 85 mm |
| Total installation height (H2) | 100–125 mm | 101–126 mm |
| Drain channel width (G) | 61,5 mm | 63 mm |
| Flow rate (EN 1253-1) | >80 l/min | >80 l/min |
| Outlet pipe diameter | Ø50 | Ø50 |
| Load class (EN 1253-1) | | K3 = max. 300 kg |
| Material – drain body | polypropylene | stainless steel DIN 1.4301 / polypropylene |
| Material – odour trap | | polypropylene |
| Drain channel length (L) | 550, 650, 750, 850 mm | |

| | |
|--------------------------------|----------------|
| Quantity (packing) APZ2012-850 | 14 pcs |
| Dimensions (piece) APZ2012-850 | 920x143x106 mm |
| Weight (piece) APZ2012-850 | 1.3051 kg |

LINE

Stainless steel-polished / Stainless steel-matt



PURE

Stainless steel-polished / Stainless steel-matt



CUBE

Stainless steel-polished / Stainless steel-matt



HOPE

Stainless steel-polished / Stainless steel-matt



BUBBLE

Stainless steel-polished / Stainless steel-matt



DREAM

Stainless steel-polished / Stainless steel-matt



SOLID

Stainless steel-matt



TILE

Grid for embedding tiles



| | |
|-----------------------------|--------------|
| Quantity (packing) LINE-850 | 1 pc |
| Dimensions (piece) LINE-850 | 890x20x55 mm |
| Weight (piece) LINE-850 | 0.6485 kg |

P138

Low trap DN50 for shower drains APZ2012, APZ2022



| | |
|--------------------|-------|
| Quantity (packing) | 28 pc |
| Quantity (pallet) | – pcs |

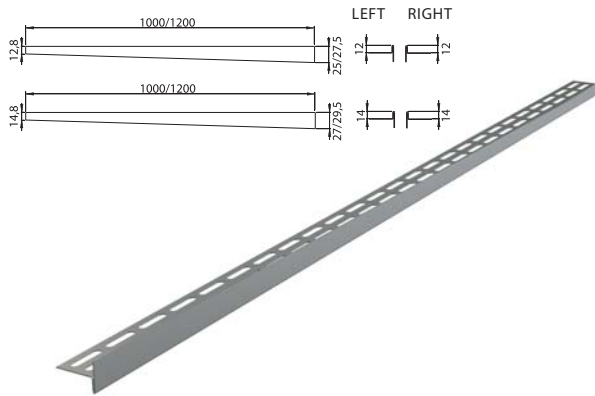
P142

Extra-low trap DN40 for shower drains APZ2012, APZ2022



| | |
|--------------------|-------|
| Quantity (packing) | 36 pc |
| Quantity (pallet) | – pcs |

Stainless steel strip for sloped floors



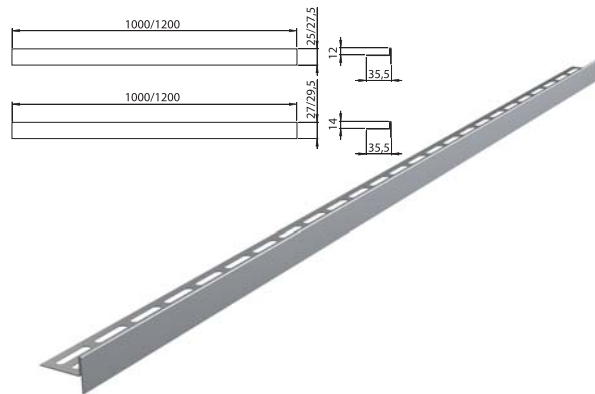
| | |
|--------------------|----------------------------|
| Quantity (packing) | 1 pc |
| Dimensions (piece) | 1000×36×27,5 mm |
| Material | stainless steel DIN 1.4301 |

Table of variants for stainless steel strips for sloped floor

| Code | Flange height | Length (mm) | Type | Version |
|---------------|---------------|-------------|-------|---------|
| APZ 901M/1000 | 12 | 1000 | left | matt |
| APZ 902M/1000 | 12 | 1000 | right | matt |
| APZ 903M/1000 | 14 | 1000 | left | matt |
| APZ 904M/1000 | 14 | 1000 | right | matt |

| Code | Flange height | Length (mm) | Type | Version |
|---------------|---------------|-------------|-------|---------|
| APZ 901M/1200 | 12 | 1200 | left | matt |
| APZ 902M/1200 | 12 | 1200 | right | matt |
| APZ 903M/1200 | 14 | 1200 | left | matt |
| APZ 904M/1200 | 14 | 1200 | right | matt |

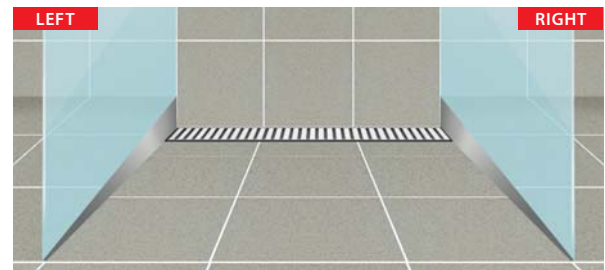
Stainless steel double-sided strip for sloped floors



| | |
|--------------------|----------------------------|
| Quantity (packing) | 1 pc |
| Dimensions (piece) | 1000×36×27 mm |
| Material | stainless steel DIN 1.4301 |

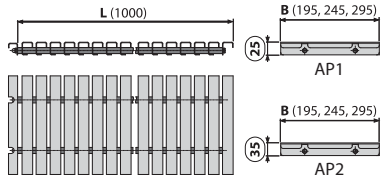
Table of variants for stainless steel strips for sloped floor

| Code | Flange height | Length (mm) | Type | Version |
|---------------|---------------|-------------|--------------|---------|
| APZ 905M/1000 | 12 | 1000 | double-sided | matt |
| APZ 905M/1200 | 12 | 1200 | double-sided | matt |
| APZ 906M/1000 | 14 | 1000 | double-sided | matt |
| APZ 906M/1200 | 14 | 1200 | double-sided | matt |



AP1, AP2

Swimming pool overflow grating without anti-slip surface

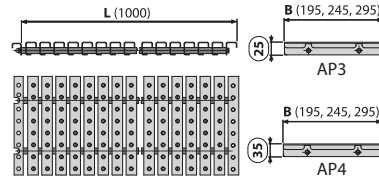


5
YEAR GUARANTEE

| | |
|--------------------|--------------------------------------|
| Quantity (packing) | 1 pc |
| Quantity (pallet) | – pcs |
| Material | stainless steel AISI 316, DIN 1.4401 |

AP3, AP4

Swimming pool overflow grating with anti-slip surface

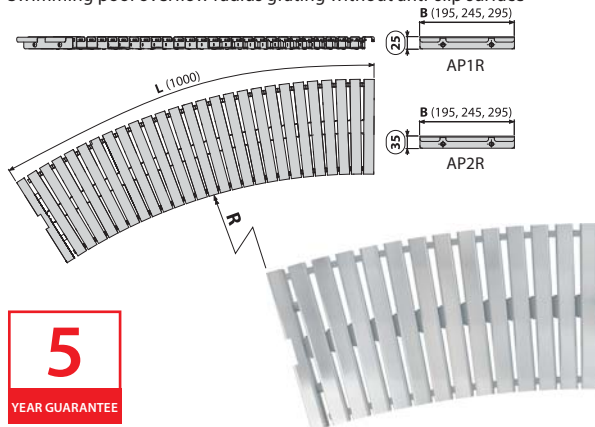


5
YEAR GUARANTEE

| | |
|--------------------|--------------------------------------|
| Quantity (packing) | 1 pc |
| Quantity (pallet) | – pcs |
| Material | stainless steel AISI 316, DIN 1.4401 |

AP1R, AP2R

Swimming pool overflow radius grating without anti-slip surface

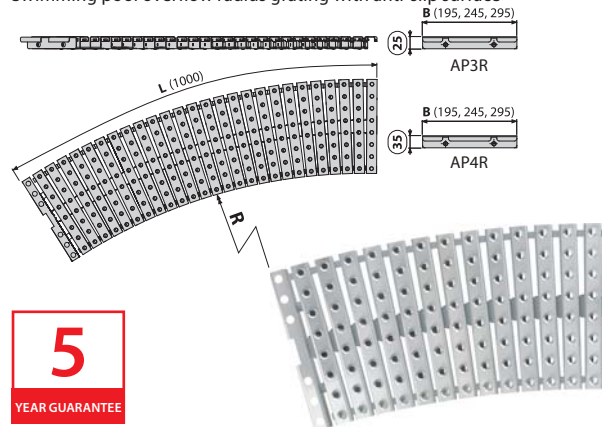


5
YEAR GUARANTEE

| | |
|--------------------|--------------------------------------|
| Quantity (packing) | 1 pc |
| Quantity (pallet) | – pcs |
| Material | stainless steel AISI 316, DIN 1.4401 |

AP3R, AP4R

Swimming pool overflow radius grating with anti-slip surface



5
YEAR GUARANTEE

| | |
|--------------------|--------------------------------------|
| Quantity (packing) | 1 pc |
| Quantity (pallet) | – pcs |
| Material | stainless steel AISI 316, DIN 1.4401 |

Non-standard product solution:

Non-standard sizes and other special solutions can be supplied as an individual project on order (length, shape, placement of the waste and trap, a type of stainless steel, etc.).



Industrial stainless steel drainage system

| | |
|-------------------------|----|
| Box drains _____ | 90 |
| Slotted drains _____ | 92 |
| Drainage channels _____ | 94 |

APR1-1150

Industrial drain stainless steel AISI 304

APR1-1250

Industrial drain stainless steel AISI 316L



| | |
|--------------------|------------------------|
| Quantity (packing) | — |
| Quantity (pallet) | — |
| Material | stainless steel 1.5 mm |

APR1-1151

Industrial drain with box inlet stainless steel AISI 304

APR1-1251

Industrial drain with box inlet stainless steel AISI 316L



| | |
|--------------------|------------------------|
| Quantity (packing) | — |
| Quantity (pallet) | — |
| Material | stainless steel 1.5 mm |

APR1-1152

Industrial drain with box inlets stainless steel AISI 304

APR1-1252

Industrial drain with box inlets stainless steel AISI 316L



| | |
|--------------------|------------------------|
| Quantity (packing) | — |
| Quantity (pallet) | — |
| Material | stainless steel 1.5 mm |

APR1-1102

Industrial corner box drain stainless steel AISI 304

APR1-1202

Industrial corner box drain stainless steel AISI 316L



| | |
|--------------------|------------------------|
| Quantity (packing) | — |
| Quantity (pallet) | — |
| Material | stainless steel 1.5 mm |

APR1-1101

Industrial box drain stainless steel AISI 304

APR1-1201

Industrial box drain stainless steel AISI 316L



| | |
|--------------------|------------------------|
| Quantity (packing) | — |
| Quantity (pallet) | — |
| Material | stainless steel 1.5 mm |

APR1-1101S

Industrial box drain with a slope stainless steel AISI 304

APR1-1201S

Industrial box drain with a slope stainless steel AISI 316L



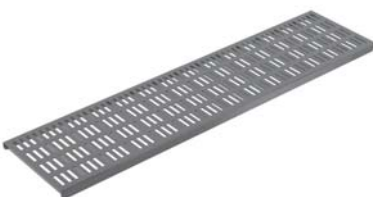
| | |
|--------------------|------------------------|
| Quantity (packing) | — |
| Quantity (pallet) | — |
| Material | stainless steel 1.5 mm |

APR1-1132

Cover grating for industrial box drain stainless steel AISI 304

APR1-1232

Cover grating for industrial box drain stainless steel AISI 316L



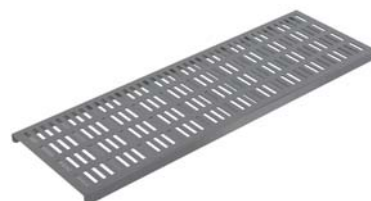
| | |
|--------------------|------------------------|
| Quantity (packing) | — |
| Quantity (pallet) | — |
| Material | stainless steel 1.5 mm |

APR1-1133

Cover grating for industrial corner box drain stainless steel AISI 304

APR1-1233

Cover grating for industrial corner box drain stainless steel AISI 316L



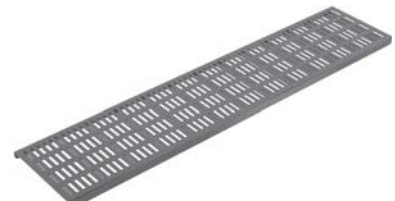
| | |
|--------------------|------------------------|
| Quantity (packing) | — |
| Quantity (pallet) | — |
| Material | stainless steel 1.5 mm |

APR1-1134

Cover grating for industrial drain APR1 with inlet stainless steel AISI 304

APR1-1234

Cover grating for industrial drain APR1 with inlet stainless steel AISI 316L



| | |
|--------------------|------------------------|
| Quantity (packing) | — |
| Quantity (pallet) | — |
| Material | stainless steel 1.5 mm |

APR1-1131

Cover grating for industrial drain APR1 stainless steel AISI 304

APR1-1231

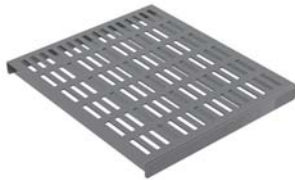
Cover grating for industrial drain APR1 stainless steel AISI 316L

APR1-P109

End cap for box drain AISI 304

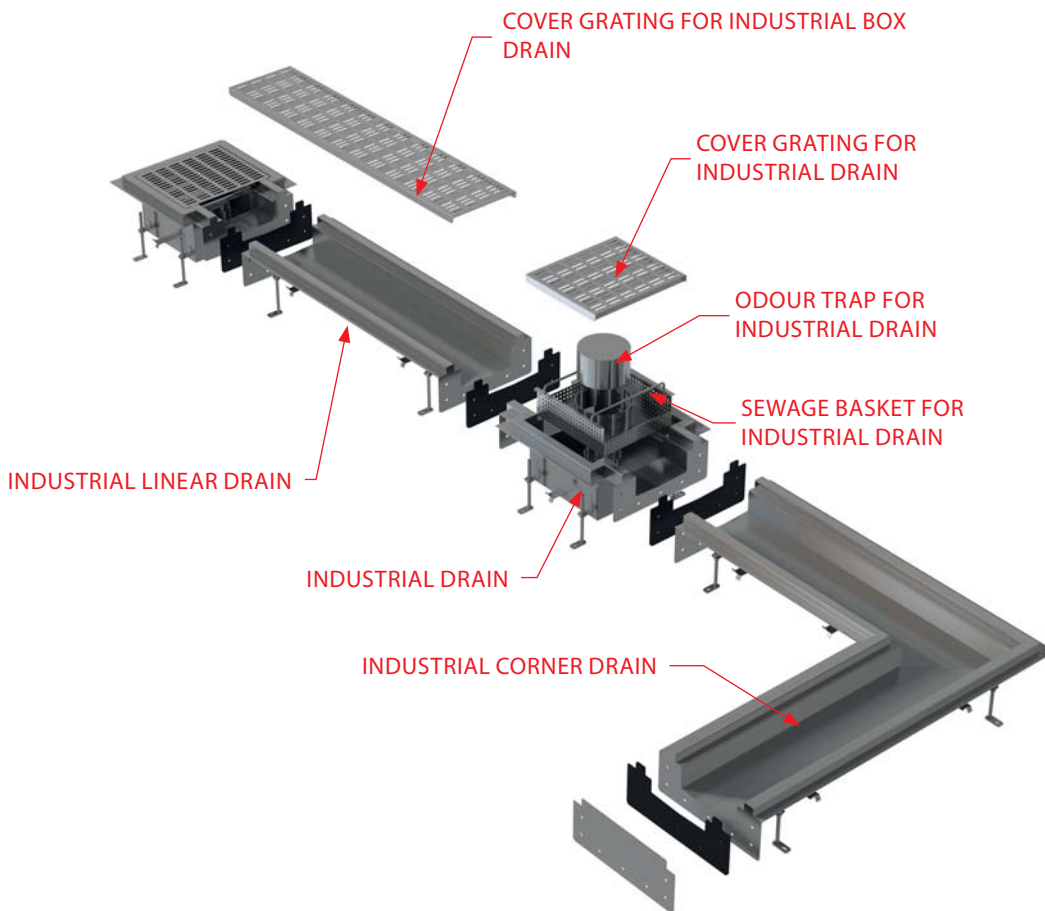
APR1-P010

End cap for box drain AISI 316L



| | |
|--------------------|------------------------|
| Quantity (packing) | - |
| Quantity (pallet) | - |
| Material | stainless steel 1.5 mm |

| | |
|--------------------|------------------------|
| Quantity (packing) | - |
| Quantity (pallet) | - |
| Material | stainless steel 1.5 mm |



APR2-1150

Industrial drain stainless steel AISI 304

APR2-1250

Industrial drain stainless steel AISI 316L



| | |
|--------------------|------------------------|
| Quantity (packing) | — |
| Quantity (pallet) | — |
| Material | stainless steel 1.5 mm |

APR2-1151

Industrial drain with slotted inlet stainless steel AISI 304

APR2-1251

Industrial drain with slotted inlet stainless steel AISI 316L



| | |
|--------------------|------------------------|
| Quantity (packing) | — |
| Quantity (pallet) | — |
| Material | stainless steel 1.5 mm |

APR2-1152

Industrial drain with slotted inlets stainless steel AISI 304

APR2-1252

Industrial drain with slotted inlets stainless steel AISI 316L



| | |
|--------------------|------------------------|
| Quantity (packing) | — |
| Quantity (pallet) | — |
| Material | stainless steel 1.5 mm |

APR2-1102

Industrial corner slotted drain stainless steel AISI 304

APR2-1202

Industrial corner slotted drain stainless steel AISI 316L



| | |
|--------------------|------------------------|
| Quantity (packing) | — |
| Quantity (pallet) | — |
| Material | stainless steel 1.5 mm |

APR2-1101

Industrial slotted drain stainless steel AISI 304

APR2-1201

Industrial slotted drain stainless steel AISI 316L



| | |
|--------------------|------------------------|
| Quantity (packing) | — |
| Quantity (pallet) | — |
| Material | stainless steel 1.5 mm |

APR2-1101S

Industrial slotted drain with a slope stainless steel AISI 304

APR2-1201S

Industrial slotted drain with a slope stainless steel AISI 316L



| | |
|--------------------|------------------------|
| Quantity (packing) | — |
| Quantity (pallet) | — |
| Material | stainless steel 1.5 mm |

APR2-1131

Cover grating for industrial drain APR2 stainless steel AISI 304

APR2-1231

Cover grating for industrial drain APR2 stainless steel AISI 316L



| | |
|--------------------|------------------------|
| Quantity (packing) | — |
| Quantity (pallet) | — |
| Material | stainless steel 1.5 mm |

APR2-P109

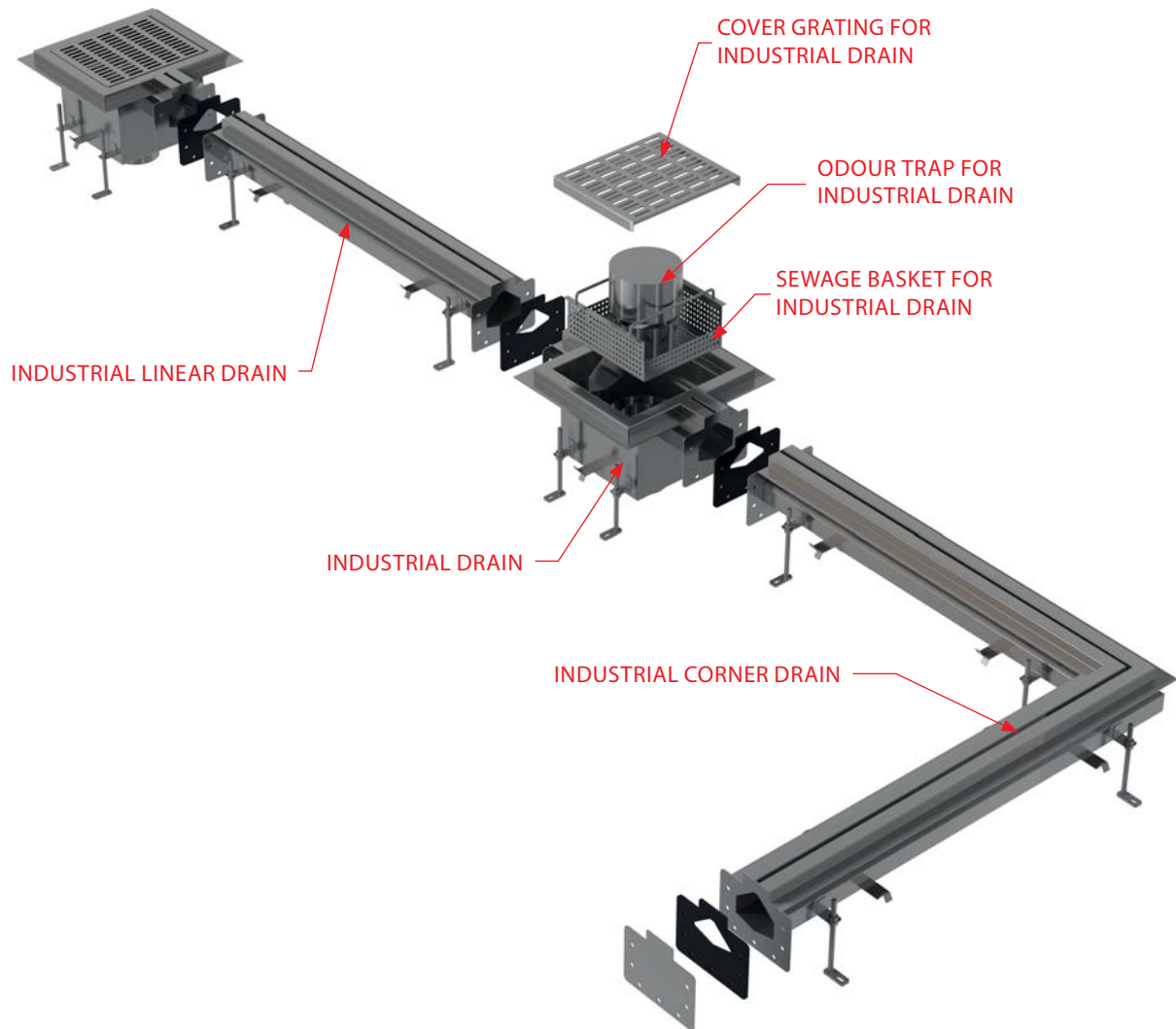
End cap for slotted drain AISI 304

APR2-P010

End cap for slotted drain AISI 316L



| | |
|--------------------|------------------------|
| Quantity (packing) | — |
| Quantity (pallet) | — |
| Material | stainless steel 1.5 mm |

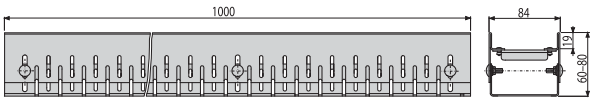


ADZ101V

Drainage channel 75 mm adjustable, galvanized steel

ADZ301V

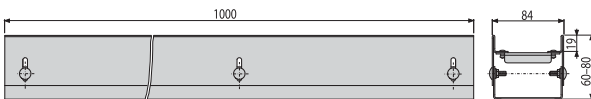
Drainage channel 75 mm adjustable, stainless steel



| | |
|--------------------|----------------------------------|
| Quantity (packing) | 1 pc |
| Quantity (pallet) | 100 pcs |
| Material | galvanized steel/stainless steel |

ADZ331V

Drainage channel 75 mm adjustable, stainless steel



| | |
|--------------------|-----------------|
| Quantity (packing) | 1 pc |
| Quantity (pallet) | - pcs |
| Material | stainless steel |

ADZ-R101

Grid for drainage channel 75 mm, galvanized steel

ADZ-R301

Grid for drainage channel 75 mm, stainless steel



ADZ-R102

Grid for drainage channel 75 mm, galvanized steel

ADZ-R302

Grid for drainage channel 75 mm, stainless steel



ADZ-R103

Grid for drainage channel 75 mm, galvanized steel

ADZ-R303

Grid for drainage channel 75 mm, stainless steel



ADZ-R304

Grid for drainage channel 75 mm, stainless steel



ADZ-P003

End cap for drainage channel 75 mm, galvanized steel

ADZ-P007

Coupler for drainage channel 75 mm, galvanized steel

ADZ-P001

End cap for drainage channel 75 mm, stainless steel

ADZ-P005

Coupler for drainage channel 75 mm, stainless steel

ADZ-P011

End cap for drainage channel 75 mm, stainless steel



| | |
|--------------------|----------------------------------|
| Quantity (packing) | - |
| Quantity (pallet) | - |
| Material | galvanized steel/stainless steel |

| | |
|--------------------|----------------------------------|
| Quantity (packing) | - |
| Quantity (pallet) | - |
| Material | galvanized steel/stainless steel |

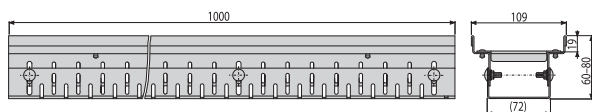
| | |
|--------------------|-----------------|
| Quantity (packing) | 1 |
| Quantity (pallet) | - |
| Material | stainless steel |

ADZ102V

Drainage channel 100 mm adjustable, galvanized steel

ADZ302V

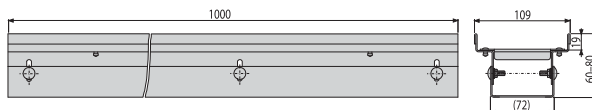
Drainage channel 100 mm adjustable, stainless steel



| | |
|--------------------|----------------------------------|
| Quantity (packing) | 1 pc |
| Quantity (pallet) | 100 pcs |
| Material | galvanized steel/stainless steel |

ADZ332V

Drainage channel 100 mm adjustable, stainless steel



| | |
|--------------------|-----------------|
| Quantity (packing) | 1 pc |
| Quantity (pallet) | - pcs |
| Material | stainless steel |

ADZ-P004

End cap for drainage channel 100 mm, galvanized steel

ADZ-P008

Coupler for drainage channel 100 mm, galvanized steel

ADZ-P002

End cap for drainage channel 100 mm, stainless steel

ADZ-P006

Coupler for drainage channel 100 mm, stainless steel

ADZ-P012

End cap for drainage channel 100 mm, stainless steel



| | |
|--------------------|----------------------------------|
| Quantity (packing) | - |
| Quantity (pallet) | - |
| Material | galvanized steel/stainless steel |

| | |
|--------------------|----------------------------------|
| Quantity (packing) | - |
| Quantity (pallet) | - |
| Material | galvanized steel/stainless steel |

| | |
|--------------------|-----------------|
| Quantity (packing) | 11 |
| Quantity (pallet) | - |
| Material | stainless steel |

ADZ-R121

Grid for drainage channel 100 mm, galvanized steel

ADZ-R321

Grid for drainage channel 100 mm, stainless steel



ADZ-R122

Grid for drainage channel 100 mm, galvanized steel

ADZ-R322

Grid for drainage channel 100 mm, stainless steel

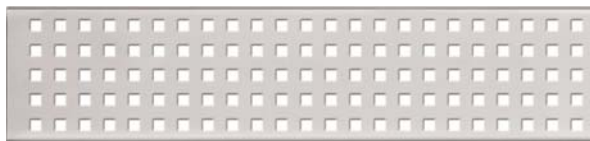


ADZ-R123

Grid for drainage channel 100 mm, galvanized steel

ADZ-R323

Grid for drainage channel 100 mm, stainless steel



ADZ-R324

Grid for drainage channel 100 mm, stainless steel

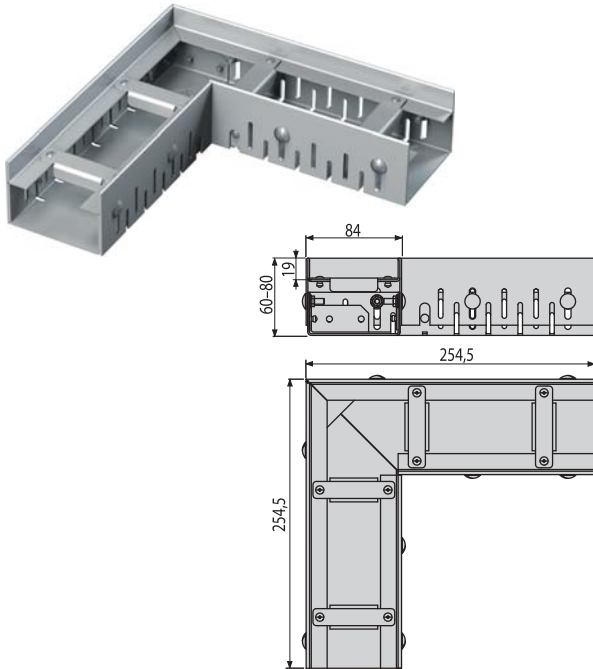


ADZ101VR

Drainage corner channel 75 mm adjustable, galvanized steel

ADZ301VR

Drainage corner channel 75 mm adjustable, stainless steel



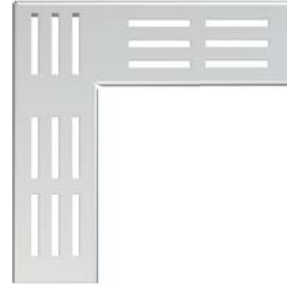
| | |
|--------------------|----------------------------------|
| Quantity (packing) | 1 pc |
| Quantity (pallet) | 100 pcs |
| Material | galvanized steel/stainless steel |

ADZ-R101R

Grid for drainage corner channel 75 mm, galvanized steel

ADZ-R301R

Grid for drainage corner channel 75 mm, stainless steel

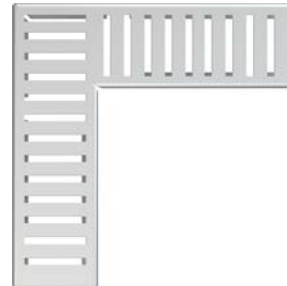


ADZ-R102R

Grid for drainage corner channel 75 mm, galvanized steel

ADZ-R302R

Grid for drainage corner channel 75 mm, stainless steel

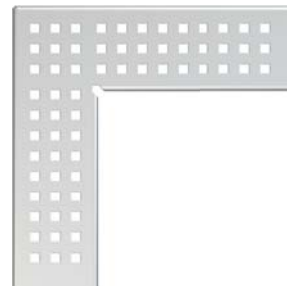


ADZ-R103R

Grid for drainage corner channel 75 mm, galvanized steel

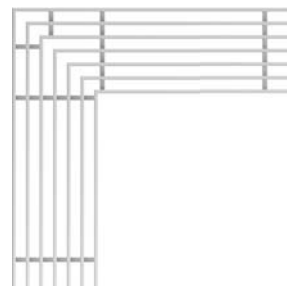
ADZ-R303R

Grid for drainage corner channel 75 mm, stainless steel



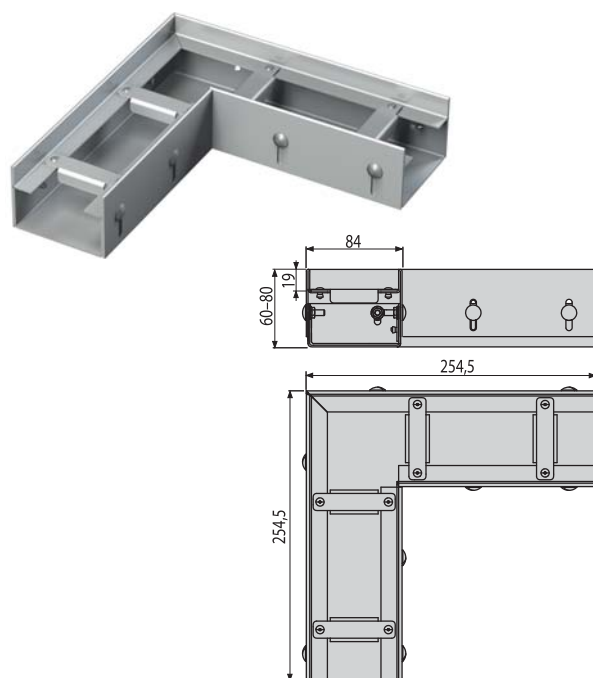
ADZ-R304R

Grid for drainage corner channel 75 mm, stainless steel



ADZ331VR

Drainage corner channel 75 mm adjustable, stainless steel



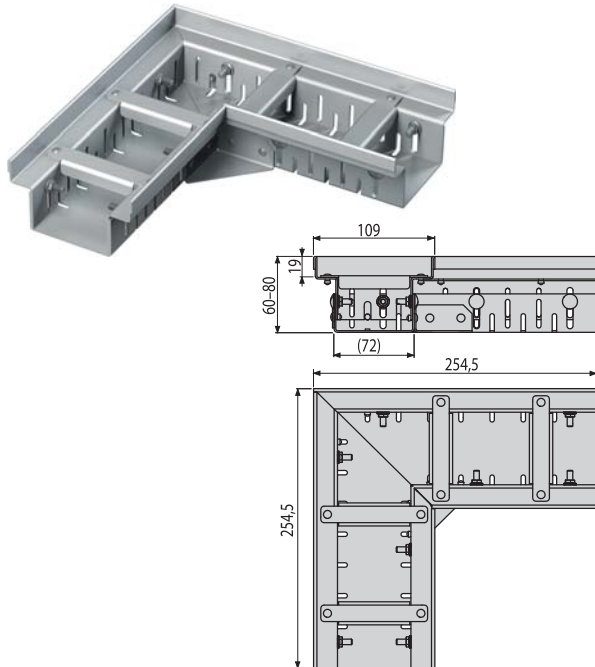
| | |
|--------------------|----------------------------------|
| Quantity (packing) | 1 pc |
| Quantity (pallet) | 100 pcs |
| Material | galvanized steel/stainless steel |

ADZ102VR

Drainage corner channel 100 mm adjustable, galvanized steel

ADZ302VR

Drainage corner channel 100 mm adjustable, stainless steel



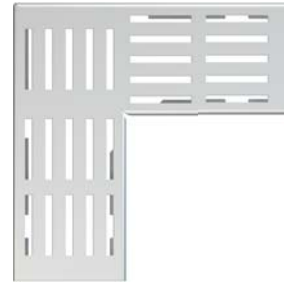
| | |
|--------------------|----------------------------------|
| Quantity (packing) | 1 pc |
| Quantity (pallet) | 100 pcs |
| Material | galvanized steel/stainless steel |

ADZ-R121R

Grid for drainage corner channel 100 mm, galvanized steel

ADZ-R321R

Grid for drainage corner channel 100 mm, stainless steel

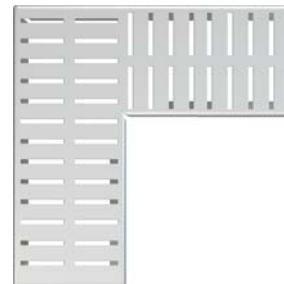


ADZ-R122R

Grid for drainage corner channel 100 mm, galvanized steel

ADZ-R322R

Grid for drainage corner channel 100 mm, stainless steel

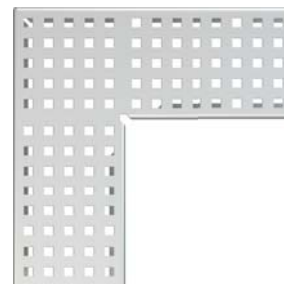


ADZ-R123R

Grid for drainage corner channel 100 mm, galvanized steel

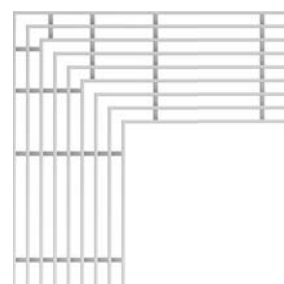
ADZ-R323R

Grid for drainage corner channel 100 mm, stainless steel



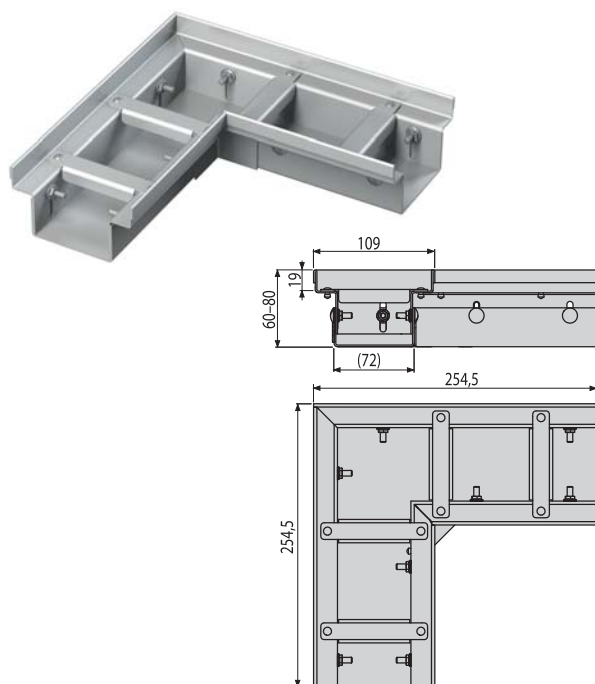
ADZ-R324R

Grid for drainage corner channel 100 mm, stainless steel



ADZ332VR

Drainage corner channel 100 mm adjustable, stainless steel



| | |
|--------------------|----------------------------------|
| Quantity (packing) | 1 pc |
| Quantity (pallet) | 100 pcs |
| Material | galvanized steel/stainless steel |



Outdoor drainage system

| | |
|---|-----|
| Outdoor drain channels _____ | 100 |
| Outdoor drain channels HOME (load class A15) | 100 |
| Outdoor drain channels HOME+ (load class A15) | 100 |
| Outdoor drain channels STANDARD (load class B125) | 101 |
| Outdoor drain channels PROFI (load class C250) | 102 |
| Outdoor drain channels TOP (load class D400) | 104 |
| Outdoor slotted channels (load class C250) | 105 |
| Outdoor drain channels – accessories | 109 |
| Universal rain drums _____ | 110 |
| Universal rain drums – accessories _____ | 110 |

AVZ101-R101

Outdoor drain channel 100 mm without frame with galvanized "T" profile grid A15



| | |
|--------------------|--------------------------------|
| Quantity (packing) | 1 pc |
| Quantity (pallet) | 60 pcs |
| Material | polypropylene filled with talc |

AVZ101R-R101S

Outdoor drain box for AVZ101 without frame with galvanized "T" profile grid A15



| | |
|--------------------|--------------------------------|
| Quantity (packing) | 1 pc |
| Quantity (pallet) | 24 pcs |
| Material | polypropylene filled with talc |

AVZ102-R102

Outdoor drain channel 100 mm with plastic frame and galvanized "C" profile grid A15



| | |
|--------------------|--------------------------------|
| Quantity (packing) | 1 pc |
| Quantity (pallet) | 60 pcs |
| Material | polypropylene filled with talc |

AVZ102R-R102S

Outdoor drain box for AVZ102 with plastic frame and galvanized "C" profile grid A15



| | |
|--------------------|--------------------------------|
| Quantity (packing) | 1 pc |
| Quantity (pallet) | 24 pcs |
| Material | polypropylene filled with talc |

AVZ104-R401

Outdoor drain channel 100 mm with plastic frame and plastic grid A15



| | |
|--------------------|--------------------------------|
| Quantity (packing) | 1 pc |
| Quantity (pallet) | 60 pcs |
| Material | polypropylene filled with talc |

AVZ104R-R401

Outdoor drain box for AVZ104 with plastic frame and plastic grid A15



| | |
|--------------------|--------------------------------|
| Quantity (packing) | 1 pc |
| Quantity (pallet) | 24 pcs |
| Material | polypropylene filled with talc |

AVZ104-R402

Outdoor drain channel 100 mm with plastic frame and composite grid B125



| | |
|--------------------|--------------------------------|
| Quantity (packing) | 1 pc |
| Quantity (pallet) | 60 pcs |
| Material | polypropylene filled with talc |

AVZ104R-R402

Outdoor drain box for AVZ104 with plastic frame and composite grid B125



| | |
|--------------------|--------------------------------|
| Quantity (packing) | 1 pc |
| Quantity (pallet) | 24 pcs |
| Material | polypropylene filled with talc |

AVZ102-R103

Outdoor drain channel 100 mm with plastic frame and galvanized grid B125



| | |
|--------------------|--------------------------------|
| Quantity (packing) | 1 pc |
| Quantity (pallet) | 60 pcs |
| Material | polypropylene filled with talc |

AVZ102R-R103S

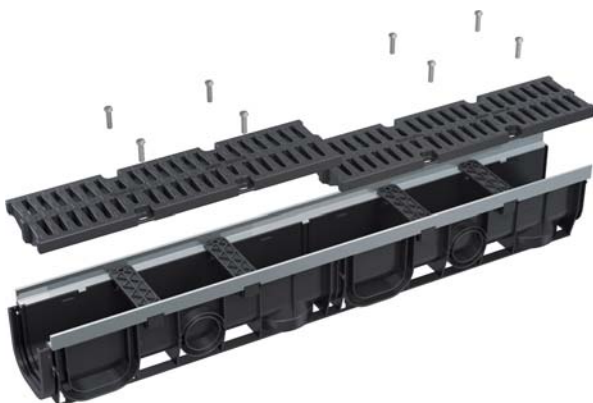
Outdoor drain box for AVZ102 with plastic frame and galvanized grid B125



| | |
|--------------------|--------------------------------|
| Quantity (packing) | 1 pc |
| Quantity (pallet) | 24 pcs |
| Material | polypropylene filled with talc |

AVZ103-R403

Outdoor drain channel 100 mm with metal frame and composite grid C250



| | |
|--------------------|--------------------------------|
| Quantity (packing) | 1 pc |
| Quantity (pallet) | 60 pcs |
| Material | polypropylene filled with talc |

AVZ103R-R403

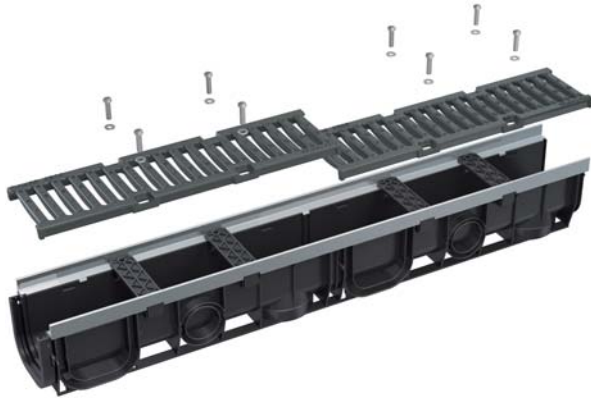
Outdoor drain box for AVZ103 with metal frame and composite grid C250



| | |
|--------------------|--------------------------------|
| Quantity (packing) | 1 pc |
| Quantity (pallet) | 24 pcs |
| Material | polypropylene filled with talc |

AVZ103-R202

Outdoor drain channel 100 mm with metal frame and cast iron grid C250



| | |
|--------------------|--------------------------------|
| Quantity (packing) | 1 pc |
| Quantity (pallet) | 30 pcs |
| Material | polypropylene filled with talc |

AVZ103R-R202

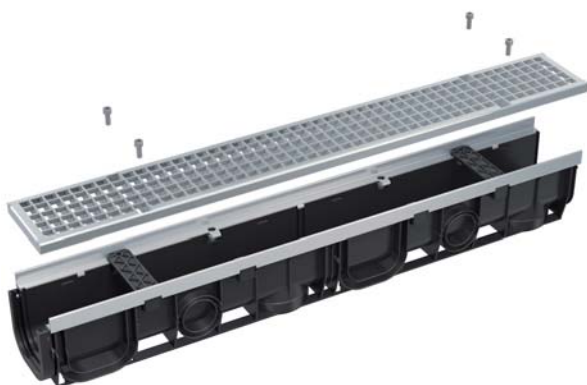
Outdoor drain box for AVZ103 with metal frame and cast iron grid C250



| | |
|--------------------|--------------------------------|
| Quantity (packing) | 1 pc |
| Quantity (pallet) | 24 pcs |
| Material | polypropylene filled with talc |

AVZ103-R104

Outdoor drain channel 100 mm with metal frame and galvanized grid C250



| | |
|--------------------|--------------------------------|
| Quantity (packing) | 1 pc |
| Quantity (pallet) | 30 pcs |
| Material | polypropylene filled with talc |

AVZ103R-R104S

Outdoor drain box for AVZ103 with metal frame and galvanized grid C250



| | |
|--------------------|--------------------------------|
| Quantity (packing) | 1 pc |
| Quantity (pallet) | 24 pcs |
| Material | polypropylene filled with talc |

AVZ103-R201

Outdoor drain channel 100 mm with metal frame and a cast iron grid D400



| | |
|--------------------|--------------------------------|
| Quantity (packing) | 1 pc |
| Quantity (pallet) | 30 pcs |
| Material | polypropylene filled with talc |

AVZ103R-R201

Outdoor drain box for AVZ103 with metal frame and cast iron grid D400



| | |
|--------------------|--------------------------------|
| Quantity (packing) | 1 pc |
| Quantity (pallet) | 24 pcs |
| Material | polypropylene filled with talc |

AVZ101-R121

Outdoor slotted channel with asymmetrical extension 100 mm, galvanized steel

AVZ101-R321

Outdoor slotted channel with asymmetrical extension 100 mm, stainless steel



| | |
|--------------------|--------------------------------|
| Quantity (packing) | 1 pc |
| Quantity (pallet) | 30 pcs |
| Material | polypropylene filled with talc |

AVZ101S-R121R

Outdoor slotted channel with asymmetrical access cover 100 mm, galvanized steel

AVZ101S-R321R

Outdoor slotted channel with asymmetrical access cover 100 mm, stainless steel



| | |
|--------------------|--------------------------------|
| Quantity (packing) | 1 pc |
| Quantity (pallet) | 30 pcs |
| Material | polypropylene filled with talc |

AVZ101R-R121R

Outdoor slotted drain box with asymmetrical access cover 100 mm, galvanized steel

AVZ101R-R321R

Outdoor slotted drain box with asymmetrical access cover 100 mm, stainless steel



| | |
|--------------------|--------------------------------|
| Quantity (packing) | 1 pc |
| Quantity (pallet) | 30 pcs |
| Material | polypropylene filled with talc |

AVZ101-R122

Outdoor slotted channel with asymmetrical extension 160 mm, galvanized steel

AVZ101-R322

Outdoor slotted channel with asymmetrical extension 160 mm, stainless steel



| | |
|--------------------|--------------------------------|
| Quantity (packing) | 1 pc |
| Quantity (pallet) | 30 pcs |
| Material | polypropylene filled with talc |

AVZ101S-R122R

Outdoor slotted channel with asymmetrical access cover 160 mm, galvanized steel

AVZ101S-R322R

Outdoor slotted channel with asymmetrical access cover 160 mm, stainless steel



| | |
|--------------------|--------------------------------|
| Quantity (packing) | 1 pc |
| Quantity (pallet) | 30 pcs |
| Material | polypropylene filled with talc |

AVZ101R-R122R

Outdoor slotted drain box with asymmetrical access cover 160 mm, galvanized steel

AVZ101R-R322R

Outdoor slotted drain box with asymmetrical access cover 160 mm, stainless steel



| | |
|--------------------|--------------------------------|
| Quantity (packing) | 1 pc |
| Quantity (pallet) | 30 pcs |
| Material | polypropylene filled with talc |

AVZ101-R123

Outdoor slotted channel with symmetrical extension 100 mm, galvanized steel

AVZ101-R323

Outdoor slotted channel with symmetrical extension 100 mm, stainless steel



| | |
|--------------------|--------------------------------|
| Quantity (packing) | 1 pc |
| Quantity (pallet) | 30 pcs |
| Material | polypropylene filled with talc |

AVZ101S-R123R

Outdoor slotted channel with symmetrical access cover 100 mm, galvanized steel

AVZ101S-R323R

Outdoor slotted channel with symmetrical access cover 100 mm, stainless steel



| | |
|--------------------|--------------------------------|
| Quantity (packing) | 1 pc |
| Quantity (pallet) | 30 pcs |
| Material | polypropylene filled with talc |

AVZ101R-R123R

Outdoor slotted drain box with symmetrical access cover 100 mm, galvanized steel

AVZ101R-R323R

Outdoor slotted drain box with symmetrical access cover 100 mm, stainless steel



| | |
|--------------------|--------------------------------|
| Quantity (packing) | 1 pc |
| Quantity (pallet) | 30 pcs |
| Material | polypropylene filled with talc |

AVZ101-R124

Outdoor slotted channel with symmetrical extension 160 mm, galvanized steel

AVZ101-R324

Outdoor slotted channel with symmetrical extension 160 mm, stainless steel



| | |
|--------------------|--------------------------------|
| Quantity (packing) | 1 pc |
| Quantity (pallet) | 30 pcs |
| Material | polypropylene filled with talc |

AVZ101S-R124R

Outdoor slotted channel with symmetrical access cover 160 mm, galvanized steel

AVZ101S-R324R

Outdoor slotted channel with symmetrical access cover 160 mm, stainless steel



| | |
|--------------------|--------------------------------|
| Quantity (packing) | 1 pc |
| Quantity (pallet) | 30 pcs |
| Material | polypropylene filled with talc |

AVZ101R-R124R

Outdoor slotted drain box with symmetrical access cover 160 mm, galvanized steel

AVZ101R-R324R

Outdoor slotted drain box with symmetrical access cover 160 mm, stainless steel



| | |
|--------------------|--------------------------------|
| Quantity (packing) | 1 pc |
| Quantity (pallet) | 30 pcs |
| Material | polypropylene filled with talc |

AVZ-P001

Socket for connection to the waste pipe DN110



| | |
|--------------------|--------------------------------|
| Quantity (packing) | 50 pcs |
| Quantity (pallet) | 800 pcs |
| Material | polypropylene filled with talc |

AVZ-P002

Drain lock AVZ102-R102



| | |
|--------------------|--------------------------------|
| Quantity (packing) | 1 pc |
| Quantity (pallet) | – pcs |
| Material | polypropylene filled with talc |

AVZ-P003

Adapter for connecting side inlet DN50



| | |
|--------------------|--------------------------------|
| Quantity (packing) | 50 pcs |
| Quantity (pallet) | 800 pcs |
| Material | polypropylene filled with talc |

AVZ-P004

Water stopper to cover the inlet DN75



| | |
|--------------------|--------------------------------|
| Quantity (packing) | 50 pcs |
| Quantity (pallet) | 800 pcs |
| Material | polypropylene filled with talc |

AVZ-P005

Cover for mounting holes



| | |
|--------------------|--------------------------------|
| Quantity (packing) | 1 pc |
| Quantity (pallet) | – pcs |
| Material | polypropylene filled with talc |

AVZ-P006

Grate fixation pins for drain channel AVZ102-R102



| | |
|--------------------|--------------------------------|
| Quantity (packing) | 2 pcs |
| Quantity (pallet) | – pcs |
| Material | polypropylene filled with talc |

AVZ-P007

Odour trap for outdoor drains



| | |
|--------------------|---------------|
| Quantity (packing) | 1 pc |
| Quantity (pallet) | – pcs |
| Material | polypropylene |

AVZ-P008

Hook for removing the grid



| | |
|--------------------|------------------|
| Quantity (packing) | 1 pc |
| Quantity (pallet) | – pcs |
| Material | galvanized metal |

AVZ-P009

End cap to close the drain channel



| | |
|--------------------|--------------------------------|
| Quantity (packing) | 100 pcs |
| Quantity (pallet) | 1600 pcs |
| Material | polypropylene filled with talc |

AVZ-P010

End cap with connection to the waste pipe DN110



| | |
|--------------------|--------------------------------|
| Quantity (packing) | 30 pcs |
| Quantity (pallet) | – pcs |
| Material | polypropylene filled with talc |

AVZ-P012

Basket for catching dirt large, stainless steel



| | |
|--------------------|-----------------|
| Quantity (packing) | 1 pc |
| Quantity (pallet) | 24 pcs |
| Material | stainless steel |

AVZ-P013

Basket for catching dirt large, galvanized steel



| | |
|--------------------|------------------|
| Quantity (packing) | 1 pc |
| Quantity (pallet) | 24 pcs |
| Material | galvanized metal |

AGV1

Rain drum 300×155/110 mm straight outlet, black



| | |
|--------------------|---|
| Quantity (packing) | 5 pcs |
| Quantity (pallet) | 80 pcs |
| Material | polypropylene enriched with glass fiber |

AGV1S

Rain drum 300×155/110 mm straight outlet, grey



| | |
|--------------------|---|
| Quantity (packing) | 5 pcs |
| Quantity (pallet) | 80 pcs |
| Material | polypropylene enriched with glass fiber |

AGV2

Rain drum 300×155/125 mm straight outlet, black



| | |
|--------------------|---|
| Quantity (packing) | 5 pcs |
| Quantity (pallet) | 80 pcs |
| Material | polypropylene enriched with glass fiber |

AGV2S

Rain drum 300×155/125 mm straight outlet, grey



| | |
|--------------------|---|
| Quantity (packing) | 5 pcs |
| Quantity (pallet) | 80 pcs |
| Material | polypropylene enriched with glass fiber |

AGV3

Rain drum 300×155/110 mm side outlet, black



| | |
|--------------------|---|
| Quantity (packing) | 4 pcs |
| Quantity (pallet) | 120 pcs |
| Material | polypropylene enriched with glass fiber |

AGV3S

Rain drum 300×155/110 mm side outlet, grey



| | |
|--------------------|---|
| Quantity (packing) | 4 pcs |
| Quantity (pallet) | 120 pcs |
| Material | polypropylene enriched with glass fiber |

AGV4

Rain drum 300×155/125/110 mm straight outlet, black



| | |
|--------------------|---|
| Quantity (packing) | 4 pcs |
| Quantity (pallet) | 60 pcs |
| Material | polypropylene enriched with glass fiber |

AGV4S

Rain drum 300×155/125/110 mm straight outlet, grey



| | |
|--------------------|---|
| Quantity (packing) | 4 pcs |
| Quantity (pallet) | 60 pcs |
| Material | polypropylene enriched with glass fiber |

AGV911

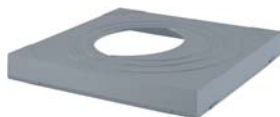
Universal downpipe entry cover – black



| | |
|--------------------|---|
| Quantity (packing) | 1 pc |
| Quantity (pallet) | – pcs |
| Material | polypropylene enriched with glass fiber |

AGV911S

Universal downpipe entry cover – grey



| | |
|--------------------|---|
| Quantity (packing) | 1 pc |
| Quantity (pallet) | – pcs |
| Material | polypropylene enriched with glass fiber |

AGV941

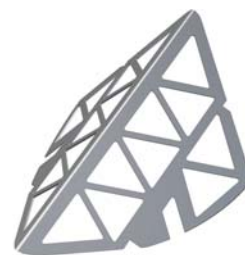
Stainless steel basket



| | |
|--------------------|-----------------|
| Quantity (packing) | 70 pcs |
| Quantity (pallet) | 1120 pcs |
| Material | stainless steel |

AGV942

Stainless steel side grid



| | |
|--------------------|-----------------|
| Quantity (packing) | 100 pcs |
| Quantity (pallet) | 2800 pcs |
| Material | stainless steel |

LOCK

- The lock prevents unintentional opening of the lid, overflow of water during heavy rains
- Prevents the access of children at play
- If necessary, it is possible to remove the lock from the rain drum



INLET RINGS

- They are part of each package
- Diameters 80, 90, 100, 110, 125 mm
- They allow the connection of all types of roof gutters and downspouts

BASKET FOR LEAVES AND DIRT

- Captures coarse material (mainly leaves) and prevents clogging of sewer pipes
- The narrow bottom with ribs allows a gradual fall through of rotting leaves into sewerage
- Basket can be easily removed for cleaning



FLAP

- Frost-free odour trap – limits the transmission of gas from canalization
- Prevents the passage of rodents from the waste
- Closes under its own weight and is secured against flooding
- Restrict splashing water from the rain drum when removing the lock case



MATERIAL

- PP enriched with glass fiber
- Resistant to mechanical and thermal damage
- UV stable – resistant to plastic degradation and fading
- In black or grey colours



CONSTRUCTION

- Resistant to deformation during assembly and to the load (class K3 – bearing capacity of 300 kg)
- Ribbing ensures stability on the spot
- Steeper gradient of the rain drum body enables a faster and bigger water flow towards the sewer
- Flow rate 390 l/min.
- Diameter of 110 mm, 125 or 125/110 mm



Floor drains

| | |
|---|-----|
| Stainless steel floor drains _____ | 114 |
| Floor drains with design grids _____ | 115 |
| Floor drains with stainless steel grids _____ | 115 |
| Floor drains with plastic grids _____ | 117 |
| Floor drains – parts _____ | 119 |
| Waterproofing foil _____ | 120 |

APV110

Floor drain stainless steel extra-low 130x130 mm side outlet, without grid, wet odour trap



| | |
|--------------------|-----------------|
| Flow rate | 40 l/min |
| Material | stainless steel |
| Quantity (packing) | 6 pcs |
| Quantity (pallet) | 120 pcs |

APV120

Floor drain stainless steel low 130x130 mm side outlet, without grid, wet odour trap



| | |
|--------------------|-----------------|
| Flow rate | 50 l/min |
| Material | stainless steel |
| Quantity (packing) | 1 pcs |
| Quantity (pallet) | 120 pcs |

APV130

Floor drain stainless steel 130x130 mm side outlet, without grid, wet odour trap



| | |
|--------------------|-----------------|
| Flow rate | 58 l/min |
| Material | stainless steel |
| Quantity (packing) | 1 pcs |
| Quantity (pallet) | 120 pcs |

MPV011

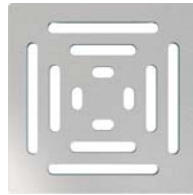
Grid for stainless steel floor drains 102x102 mm stainless steel



| | |
|--------------------|-----------------|
| Material | stainless steel |
| Quantity (packing) | 1 pcs |
| Quantity (pallet) | - pcs |

MPV012

Grid for stainless steel floor drains 102x102 mm stainless steel



| | |
|--------------------|-----------------|
| Material | stainless steel |
| Quantity (packing) | 1 pcs |
| Quantity (pallet) | - pcs |

MPV013

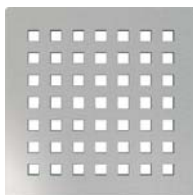
Grid for stainless steel floor drains 92x92 mm stainless steel



| | |
|--------------------|-----------------|
| Material | stainless steel |
| Quantity (packing) | 1 pcs |
| Quantity (pallet) | - pcs |

MPV014

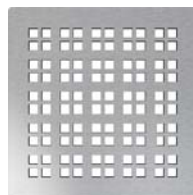
Grid for stainless steel floor drains 102x102 mm stainless steel



| | |
|--------------------|-----------------|
| Material | stainless steel |
| Quantity (packing) | 1 pcs |
| Quantity (pallet) | - pcs |

MPV015

Grid for stainless steel floor drains 102x102 mm stainless steel



| | |
|--------------------|-----------------|
| Material | stainless steel |
| Quantity (packing) | 1 pcs |
| Quantity (pallet) | - pcs |

MPV016

Grid for stainless steel floor drains 92x92 mm for embedding tiles



| | |
|--------------------|-----------------|
| Material | stainless steel |
| Quantity (packing) | 1 pcs |
| Quantity (pallet) | - pcs |

APV101

Floor drain 105×105/50 mm side outlet, stainless steel grid, wet odour trap



| | |
|--------------------|---------------|
| Flow rate | 46 l/min |
| Material | polypropylene |
| Quantity (packing) | 8 pcs |
| Quantity (pallet) | 160 pcs |

APV102

Floor drain 105×105/50 mm side outlet, stainless steel grid, wet odour trap



| | |
|--------------------|---------------|
| Flow rate | 46 l/min |
| Material | polypropylene |
| Quantity (packing) | 8 pcs |
| Quantity (pallet) | 160 pcs |

APV103

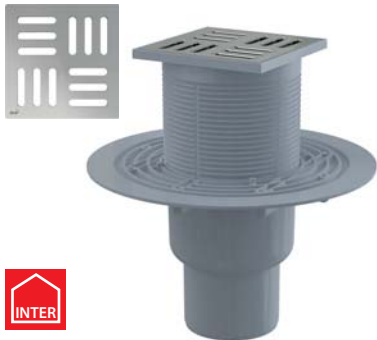
Floor drain 105×105/50 mm side outlet, stainless steel grid, wet odour trap



| | |
|--------------------|---------------|
| Flow rate | 46 l/min |
| Material | polypropylene |
| Quantity (packing) | 8 pcs |
| Quantity (pallet) | 160 pcs |

APV201

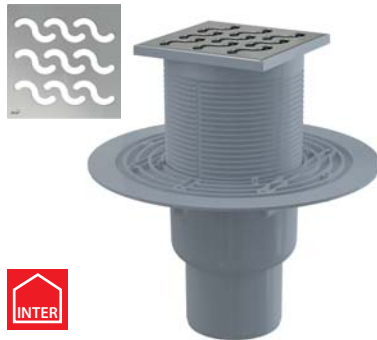
Floor drain 105×105/50/75 mm straight outlet, stainless steel grid, wet odour trap



| | |
|--------------------|---------------|
| Flow rate | 46 l/min |
| Material | polypropylene |
| Quantity (packing) | 8 pcs |
| Quantity (pallet) | 160 pcs |

APV202

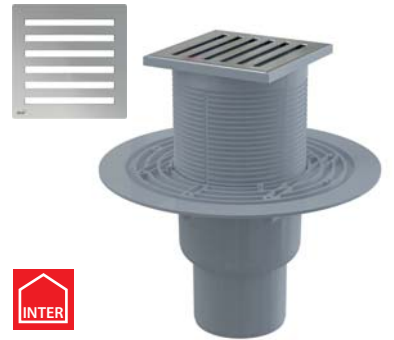
Floor drain 105×105/50/75 mm straight outlet, stainless steel grid, wet odour trap



| | |
|--------------------|---------------|
| Flow rate | 44 l/min |
| Material | polypropylene |
| Quantity (packing) | 8 pcs |
| Quantity (pallet) | 160 pcs |

APV203

Floor drain 105×105/50/75 mm straight outlet, stainless steel grid, wet odour trap



| | |
|--------------------|---------------|
| Flow rate | 46 l/min |
| Material | polypropylene |
| Quantity (packing) | 8 pcs |
| Quantity (pallet) | 160 pcs |

APV3344

Floor drain 105×105/50/75 mm side outlet, stainless steel grid, stainless steel flange and collar-2nd level insulation, wet and dry odour trap



| | |
|--------------------|---------------|
| Flow rate | 46/62 l/min |
| Material | polypropylene |
| Quantity (packing) | 8 pcs |
| Quantity (pallet) | 128 pcs |

APV4344

Floor drain 105×105/50/75 mm straight outlet, stainless steel grid, stainless steel flange and collar-2nd level insulation, wet and dry odour trap



| | |
|--------------------|---------------|
| Flow rate | 46/62 l/min |
| Material | polypropylene |
| Quantity (packing) | 8 pcs |
| Quantity (pallet) | 160 pcs |

APV3444

Floor drain 150×150/50/75 mm side outlet, stainless steel grid, stainless steel flange and collar-2nd level insulation, wet and dry odour trap



| | |
|--------------------|---------------|
| Flow rate | 46/62 l/min |
| Material | polypropylene |
| Quantity (packing) | 8 pcs |
| Quantity (pallet) | 128 pcs |

APV4444

Floor drain 150x150/50/75 mm straight outlet, stainless steel grid, stainless steel flange and collar-2nd level insulation, wet and dry odour trap



| | |
|--------------------|---------------|
| Flow rate | 46/62 l/min |
| Material | polypropylene |
| Quantity (packing) | 8 pcs |
| Quantity (pallet) | 160 pcs |

APV26C

Floor drain 105x105/50 mm side outlet, stainless steel grid, collar-2nd level insulation, dry odour trap



| | |
|--------------------|--------------------|
| Flow rate | 62 l/min |
| Material | ABS, polypropylene |
| Quantity (packing) | 8 pcs |
| Quantity (pallet) | 160 pcs |

APV26

Floor drain 105x105/50 mm side outlet, stainless steel grid, wet odour trap



| | |
|--------------------|--------------------|
| Flow rate | 32 l/min |
| Material | ABS, polypropylene |
| Quantity (packing) | 25 pcs |
| Quantity (pallet) | 400 pcs |



APV1324

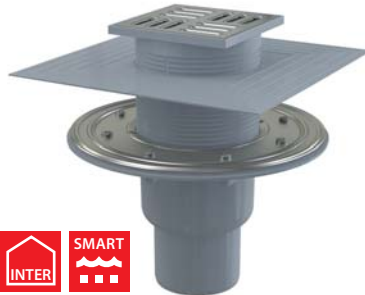
Floor drain 105x105/50 mm side outlet, stainless steel grid, stainless steel flange and collar-2nd level insulation, combined odour trap SMART



| | |
|--------------------|---------------|
| Flow rate | 37 l/min |
| Material | polypropylene |
| Quantity (packing) | 8 pcs |
| Quantity (pallet) | 128 pcs |

APV2324

Floor drain 105x105/50/75 mm straight outlet, stainless steel grid, stainless steel flange and collar-2nd level insulation, combined odour trap SMART



| | |
|--------------------|---------------|
| Flow rate | 37 l/min |
| Material | polypropylene |
| Quantity (packing) | 8 pcs |
| Quantity (pallet) | 160 pcs |

APV1321

Floor drain 105x105/50 mm side outlet, stainless steel grid, combined odour trap SMART



| | |
|--------------------|---------------|
| Flow rate | 37 l/min |
| Material | polypropylene |
| Quantity (packing) | 8 pcs |
| Quantity (pallet) | 160 pcs |

APV2321

Floor drain 105x105/50/75 mm straight outlet, stainless steel grid, combined odour trap SMART



| | |
|--------------------|---------------|
| Flow rate | 37 l/min |
| Material | polypropylene |
| Quantity (packing) | 8 pcs |
| Quantity (pallet) | 160 pcs |

APV1311

Floor drain 105x105/50 mm side outlet, stainless steel grid, wet odour trap



| | |
|--------------------|---------------|
| Flow rate | 46 l/min |
| Material | polypropylene |
| Quantity (packing) | 8 pcs |
| Quantity (pallet) | 160 pcs |

APV2311

Floor drain 105x105/50/75 mm straight outlet, stainless steel grid, wet odour trap



| | |
|--------------------|---------------|
| Flow rate | 46 l/min |
| Material | polypropylene |
| Quantity (packing) | 8 pcs |
| Quantity (pallet) | 160 pcs |

APV31

Floor drain 105x105/50 mm side outlet, stainless steel grid, combined odour trap SMART



| | |
|--------------------|--------------------|
| Flow rate | 37 l/min |
| Material | ABS, polypropylene |
| Quantity (packing) | 20 pcs |
| Quantity (pallet) | 320 pcs |

APV32

Floor drain 105x105/50 mm straight outlet, stainless steel grid, combined odour trap SMART



| | |
|--------------------|--------------------|
| Flow rate | 37 l/min |
| Material | ABS, polypropylene |
| Quantity (packing) | 20 pcs |
| Quantity (pallet) | 320 pcs |

APV1

Floor drain 105x105/50 mm side outlet, stainless steel grid, wet odour trap



| | |
|--------------------|--------------------|
| Flow rate | 46 l/min |
| Material | ABS, polypropylene |
| Quantity (packing) | 20 pcs |
| Quantity (pallet) | 320 pcs |

APV2

Floor drain 105x105/50 mm straight outlet, stainless steel grid, wet odour trap



| | |
|--------------------|--------------------|
| Flow rate | 46 l/min |
| Material | ABS, polypropylene |
| Quantity (packing) | 20 pcs |
| Quantity (pallet) | 320 pcs |

APV5411

Floor drain 150x150/50 mm side outlet, stainless steel grid, wet odour trap



| | |
|--------------------|--------------------|
| Flow rate | 46 l/min |
| Material | ABS, polypropylene |
| Quantity (packing) | 15 pcs |
| Quantity (pallet) | 240 pcs |

APV6411

Floor drain 150x150/50 mm straight outlet, stainless steel grid, wet odour trap



| | |
|--------------------|--------------------|
| Flow rate | 46 l/min |
| Material | ABS, polypropylene |
| Quantity (packing) | 15 pcs |
| Quantity (pallet) | 240 pcs |

APV12

Floor drain 150x150/110 mm side outlet, stainless steel grid, collar-2nd level insulation, wet odour trap



| | |
|--------------------|---------------|
| Flow rate | 89 l/min |
| Material | polypropylene |
| Quantity (packing) | 8 pcs |
| Quantity (pallet) | 160 pcs |

APV13

Floor drain 150x150/110 mm straight outlet, stainless steel grid, collar-2nd level insulation, wet odour trap



| | |
|--------------------|---------------|
| Flow rate | 89 l/min |
| Material | polypropylene |
| Quantity (packing) | 8 pcs |
| Quantity (pallet) | 160 pcs |

APV10

Floor drain 150x150/110 mm side outlet, grey grid, collar-2nd level insulation, wet odour trap



| | |
|--------------------|---------------|
| Flow rate | 80 l/min |
| Material | polypropylene |
| Quantity (packing) | 8 pcs |
| Quantity (pallet) | 160 pcs |

APV11

Floor drain 150x150/110 mm straight outlet, grey grid, collar-2nd level insulation, wet odour trap



| | |
|--------------------|--------------------|
| Flow rate | 80 l/min |
| Material | ABS, polypropylene |
| Quantity (packing) | 8 pcs |
| Quantity (pallet) | 160 pcs |

APV5111

Floor drain 105x105/50 mm side outlet, grey grid, wet odour trap



| | |
|--------------------|--------------------|
| Flow rate | 46 l/min |
| Material | ABS, polypropylene |
| Quantity (packing) | 20 pcs |
| Quantity (pallet) | 320 pcs |

APV6111

Floor drain 105x105/50 mm straight outlet, grey grid, wet odour trap



| | |
|--------------------|--------------------|
| Flow rate | 46 l/min |
| Material | ABS, polypropylene |
| Quantity (packing) | 20 pcs |
| Quantity (pallet) | 320 pcs |

APV5211

Floor drain 150x150/50 mm side outlet, grey grid, wet odour trap



| | |
|--------------------|--------------------|
| Flow rate | 46 l/min |
| Material | ABS, polypropylene |
| Quantity (packing) | 15 pcs |
| Quantity (pallet) | 240 pcs |

APV6211

Floor drain 150x150/50 mm straight outlet, grey grid, wet odour trap



| | |
|--------------------|--------------------|
| Flow rate | 46 l/min |
| Material | ABS, polypropylene |
| Quantity (packing) | 15 pcs |
| Quantity (pallet) | 240 pcs |

APV3

Floor drain 150x150/50 mm side outlet, grey grid, wet odour trap



| | |
|--------------------|---------------|
| Flow rate | 24 l/min |
| Material | polypropylene |
| Quantity (packing) | 50 pcs |
| Quantity (pallet) | 600 pcs |

APV4

Floor drain 150x150/50 mm straight outlet, grey grid, wet odour trap



| | |
|--------------------|---------------|
| Flow rate | 24 l/min |
| Material | polypropylene |
| Quantity (packing) | 50 pcs |
| Quantity (pallet) | 600 pcs |

APV15

Floor drain 150x150/50 mm side outlet, white grid, wet odour trap



| | |
|--------------------|----------|
| Flow rate | 24 l/min |
| Material | ABS |
| Quantity (packing) | 20 pcs |
| Quantity (pallet) | 320 pcs |

APV16

Floor drain 150x150/50 mm straight outlet, white grid, wet odour trap



| | |
|--------------------|----------|
| Flow rate | 24 l/min |
| Material | ABS |
| Quantity (packing) | 20 pcs |
| Quantity (pallet) | 320 pcs |

APV0006

Stainless steel flange seal



| | |
|--------------------|--------------|
| Material | rubber (NBR) |
| Quantity (packing) | - |
| Quantity (pallet) | - |

MPV001

Design grid 102×102 mm stainless steel



| | |
|--------------------|-----------------|
| Material | stainless steel |
| Quantity (packing) | - |
| Quantity (pallet) | - |

MPV001-ANTIC

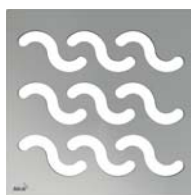
Design grid 102×102 mm bronze-antic



| | |
|--------------------|--------------------------------|
| Material | brass with bronze-antic finish |
| Quantity (packing) | - |
| Quantity (pallet) | - |

MPV002

Design grid 102×102 mm stainless steel



| | |
|--------------------|-----------------|
| Material | stainless steel |
| Quantity (packing) | - |
| Quantity (pallet) | - |

MPV003

Design grid 102×102 mm stainless steel



| | |
|--------------------|-----------------|
| Material | stainless steel |
| Quantity (packing) | - |
| Quantity (pallet) | - |

MPV004

Grid 102×102 mm stainless steel



| | |
|--------------------|-----------------|
| Material | stainless steel |
| Quantity (packing) | - |
| Quantity (pallet) | - |

APV0010

Wet odour trap



| | |
|--------------------|---------------|
| Flow rate | 46 l/min |
| Material | polypropylene |
| Quantity (packing) | 50 pcs |
| Quantity (pallet) | 1400 pcs |

APV0020

Combined odour trap SMART



| | |
|--------------------|---------------|
| Flow rate | 37 l/min |
| Material | polypropylene |
| Quantity (packing) | 50 pcs |
| Quantity (pallet) | 1400 pcs |

APV0030

Dry odour trap



| | |
|--------------------|---------------|
| Flow rate | 57–62 l/min |
| Material | polypropylene |
| Quantity (packing) | 60 pcs |
| Quantity (pallet) | 1680 pcs |

APV0050

Wet odour trap for APV26, APV26C



REDUCED HEIGHT



| | |
|--------------------|---------------|
| Flow rate | 32 l/min |
| Quantity (packing) | 50 pcs |
| Quantity (pallet) | 1400 pcs |
| Material | polypropylene |

APV0060

Dry odour trap for APV26, APV26C



REDUCED HEIGHT



| | |
|--------------------|---------------|
| Flow rate | 62 l/min |
| Quantity (packing) | 50 pcs |
| Quantity (pallet) | 1400 pcs |
| Material | polypropylene |

APV0800

Drain throat extension neck DN105



| | |
|--------------------|---------------|
| Quantity (packing) | - |
| Quantity (pallet) | - |
| Material | polypropylene |

AIZ1

Self-adhesive waterproof membrane for a floor drain 300×300 mm



| | |
|--------------------|----------|
| Quantity (packing) | 50 pcs |
| Quantity (pallet) | 1400 pcs |

AIZ3

Waterproof membrane 1300×1300 mm



| | |
|--------------------|---------|
| Quantity (packing) | 10 pcs |
| Quantity (pallet) | 160 pcs |



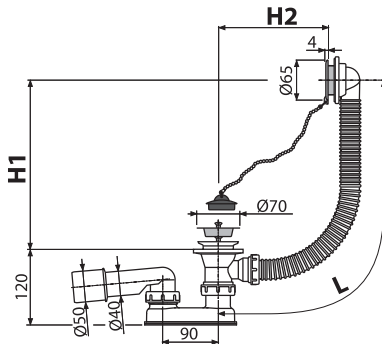


Wastes and traps

| | |
|--|-----|
| Bath wastes and traps _____ | 124 |
| Bath waste and traps Basic _____ | 124 |
| Bath waste and traps pop-up _____ | 124 |
| Bath waste and traps CLICK/CLACK _____ | 126 |
| Bath waste and traps with overflow filler _____ | 128 |
| Bath waste and traps for whirlpool bathtubs _____ | 130 |
| Bath waste and traps – accessories _____ | 130 |
| Shower wastes and traps _____ | 131 |
| Shower wastes and traps CLICK/CLACK _____ | 131 |
| Shower wastes and traps DN50–DN60 _____ | 131 |
| Shower wastes and traps DN90 _____ | 134 |
| Reduced height shower tray wastes and traps _____ | 133 |
| Wash-basin wastes and traps _____ | 136 |
| Wash-basin wastes and traps with outlet _____ | 136 |
| Wash-basin wastes and traps with coupling nut _____ | 137 |
| Wash-basin wastes and traps – outlets _____ | 137 |
| Metal program _____ | 138 |
| Wash-basin wastes and traps – CLICK/CLACK outlets _____ | 138 |
| Angle valves _____ | 140 |
| Wash-basin wastes and traps _____ | 140 |
| Sink wastes and traps _____ | 142 |
| Sink wastes and traps with outlet _____ | 142 |
| Sink wastes and traps with coupling nut _____ | 145 |
| Sink wastes and traps – outlets _____ | 146 |
| Wash-basin and sink wastes and traps – accessories _____ | 147 |
| Urinal and bidet traps _____ | 150 |
| Traps for dripping condensation _____ | 151 |
| Washing machine traps _____ | 152 |
| Washing machine traps – accessories _____ | 148 |

A501

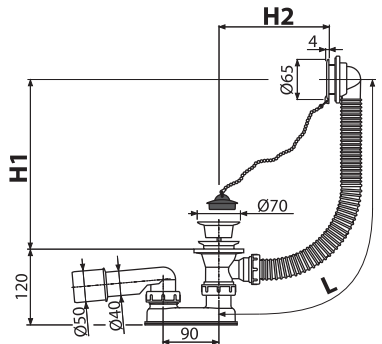
Bath waste and trap, chrome



| | |
|----------------------|-------------|
| Quantity (packing) | 20 pcs |
| Quantity (pallet) | 320 pcs |
| Material – plug/grid | PVC/plastic |

A502

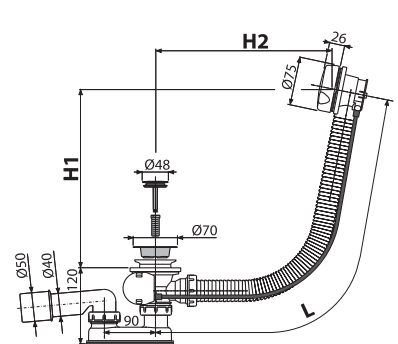
Bath waste and trap, white



| | |
|----------------------|-------------|
| Quantity (packing) | 20 pcs |
| Quantity (pallet) | 320 pcs |
| Material – plug/grid | PVC/plastic |

A51B

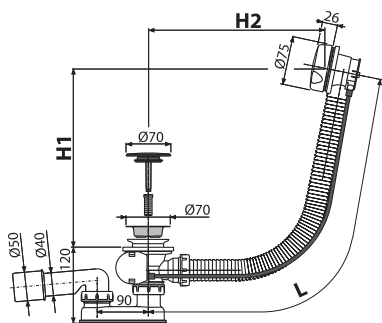
Bath pop-up waste and trap, white



| | |
|------------------------------|---------------|
| Quantity (packing) | 20 pcs |
| Quantity (pallet) | 320 pcs |
| Material – plug/control knob | metal/plastic |

A51BM

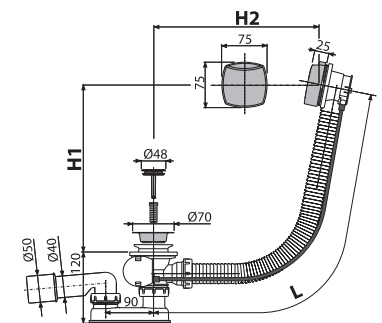
Bath pop-up waste and trap, white



| | |
|------------------------------|-----------------|
| Quantity (packing) | 20 pcs |
| Quantity (pallet) | 320 pcs |
| Material – plug/control knob | plastic/plastic |

A51CR

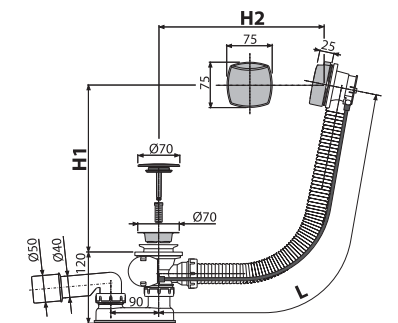
Bath pop-up waste and trap, chrome



| | |
|------------------------------|---------------|
| Quantity (packing) | 20 pcs |
| Quantity (pallet) | 320 pcs |
| Material – plug/control knob | metal/plastic |

A51CRM

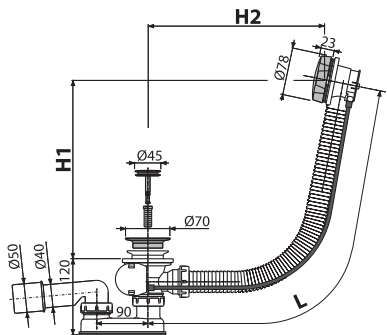
Bath pop-up waste and trap, chrome



| | |
|------------------------------|-----------------|
| Quantity (packing) | 20 pcs |
| Quantity (pallet) | 320 pcs |
| Material – plug/control knob | plastic/plastic |

A55K

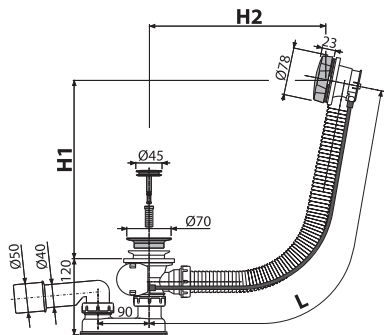
Bath pop-up waste and trap, metal



| | |
|------------------------------|-------------|
| Quantity (packing) | 20 pcs |
| Quantity (pallet) | 320 pcs |
| Material – plug/control knob | metal/metal |

A55ANTIC

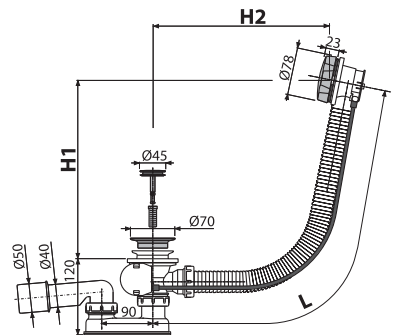
Bath pop-up waste and trap, bronze-antic



| | |
|------------------------------|-------------|
| Quantity (packing) | 20 pcs |
| Quantity (pallet) | 320 pcs |
| Material – plug/control knob | metal/metal |

A55BLACK

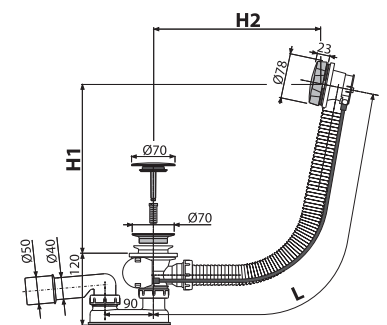
Bath pop-up waste and trap, black-matt



| | |
|------------------------------|-------------|
| Quantity (packing) | 20 pcs |
| Quantity (pallet) | 320 pcs |
| Material – plug/control knob | metal/metal |

A55KM

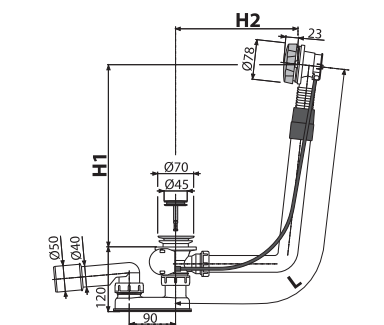
Bath pop-up waste and trap, metal



| | |
|------------------------------|---------------|
| Quantity (packing) | 20 pcs |
| Quantity (pallet) | 320 pcs |
| Material – plug/control knob | plastic/metal |

A550K

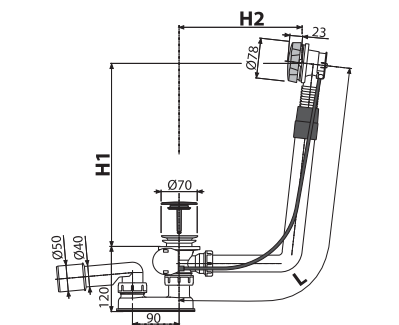
Bath pop-up waste and trap, metal



| | |
|------------------------------|-------------|
| Quantity (packing) | 12 pcs |
| Quantity (pallet) | 192 pcs |
| Material – plug/control knob | metal/metal |

A550KM

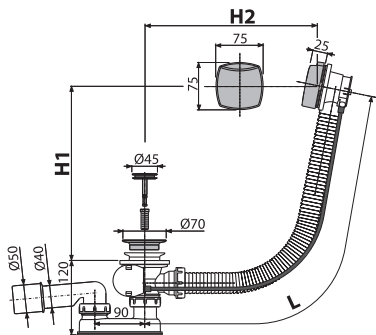
Bath pop-up waste and trap, metal



| | |
|------------------------------|---------------|
| Quantity (packing) | 12 pcs |
| Quantity (pallet) | 192 pcs |
| Material – plug/control knob | plastic/metal |

A553K

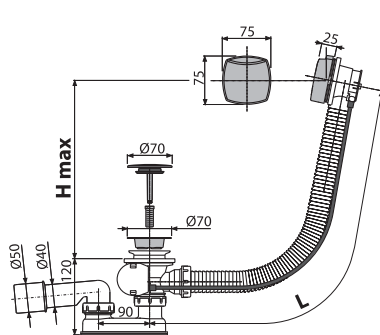
Bath pop-up waste and trap, metal



| | |
|------------------------------|-------------|
| Quantity (packing) | 20 pcs |
| Quantity (pallet) | 320 pcs |
| Material – plug/control knob | metal/metal |

A553KM1

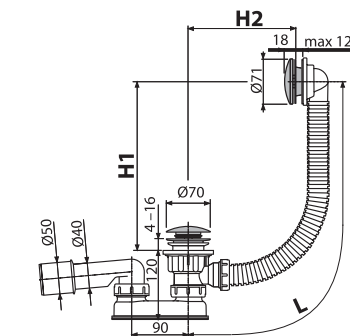
Bath pop-up waste and trap, metal



| | |
|------------------------------|---------------|
| Quantity (packing) | 20 pcs |
| Quantity (pallet) | 320 pcs |
| Material – plug/control knob | plastic/metal |

A504CKM

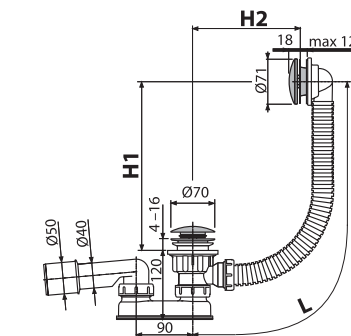
Bath CLICK/CLACK waste and trap, metal



| | |
|------------------------------|-------------|
| Quantity (packing) | 20 pcs |
| Quantity (pallet) | 320 pcs |
| Material – plug/control knob | metal/metal |

A504KM

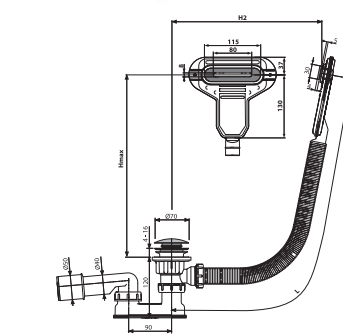
Bath CLICK/CLACK waste and trap, metal



| | |
|------------------------------|-------------|
| Quantity (packing) | 20 pcs |
| Quantity (pallet) | 320 pcs |
| Material – plug/control knob | metal/metal |

A516CKM

Bath CLICK/CLACK waste and trap with flat overflow, chrome

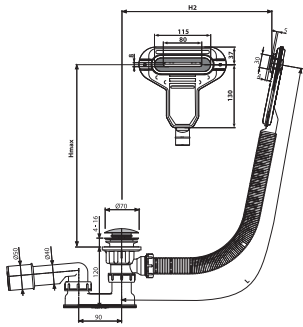


| | |
|---------------------|---------------|
| Quantity (packing) | 20 pcs |
| Quantity (pallet) | 320 pcs |
| Material – plug/cap | metal/plastic |

A516KM

Bath CLICK/CLACK waste and trap with flat overflow, chrome

N

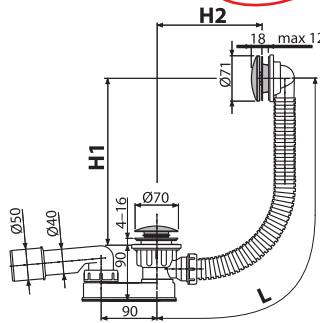


| | |
|---------------------|---------------|
| Quantity (packing) | 20 pcs |
| Quantity (pallet) | 320 pcs |
| Material – plug/cap | metal/plastic |

A507CKM

Bath CLICK/CLACK waste and trap, metal

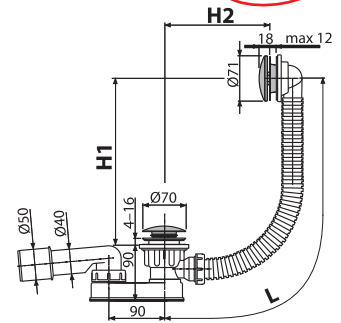
N FROM II. Q



| | |
|------------------------------|-------------|
| Quantity (packing) | 20 pcs |
| Quantity (pallet) | 320 pcs |
| Material – plug/control knob | metal/metal |

A507KM

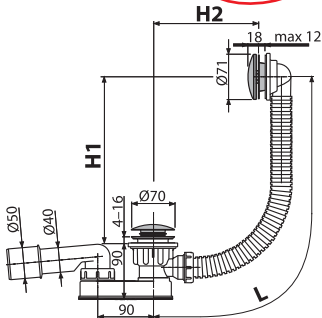
Bath CLICK/CLACK waste and trap, metal



| | |
|------------------------------|-------------|
| Quantity (packing) | 20 pcs |
| Quantity (pallet) | 320 pcs |
| Material – plug/control knob | metal/metal |

A507BLACK

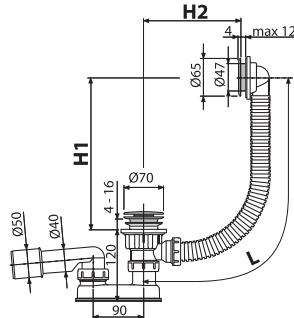
Bath CLICK/CLACK waste and trap, black-matt



| | |
|------------------------------|-------------|
| Quantity (packing) | 20 pcs |
| Quantity (pallet) | 320 pcs |
| Material – plug/control knob | metal/metal |

A505CRM

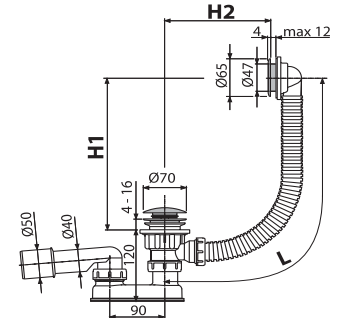
Bath CLICK/CLACK waste and trap, chrome



| | |
|----------------------|-----------------|
| Quantity (packing) | 20 pcs |
| Quantity (pallet) | 320 pcs |
| Material – plug/grid | plastic/plastic |

A505KM

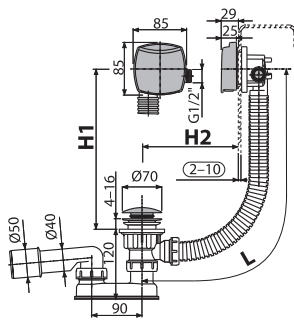
Bath CLICK/CLACK waste and trap, metal



| | |
|----------------------|---------------|
| Quantity (packing) | 20 pcs |
| Quantity (pallet) | 320 pcs |
| Material – plug/grid | metal/plastic |

A508KM

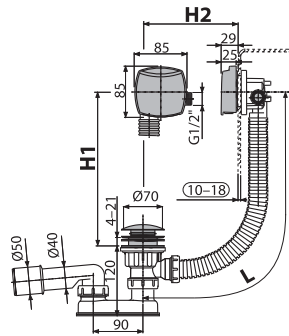
Bath CLICK/CLACK waste and trap, overflow filler, chrome



| | |
|------------------------------|---------------|
| Quantity (packing) | 12 pcs |
| Quantity (pallet) | 192 pcs |
| Material – plug/control knob | metal/plastic |

A509KM

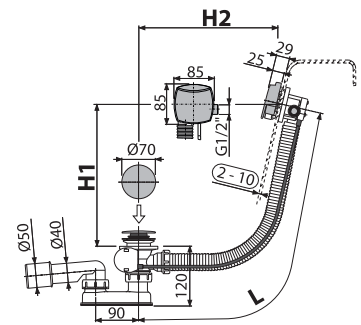
Bath CLICK/CLACK waste and trap, overflow filler, for thick-walled bathtubs, chrome



| | |
|------------------------------|---------------|
| Quantity (packing) | 12 pcs |
| Quantity (pallet) | 192 pcs |
| Material – plug/control knob | metal/plastic |

A564CRM1

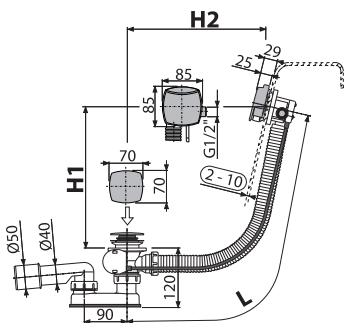
Bath pop-up waste and trap, with overflow filler, chrome



| | |
|------------------------------|-----------------|
| Quantity (packing) | 12 pcs |
| Quantity (pallet) | 192 pcs |
| Material – plug/control knob | plastic/plastic |

A564CRM2

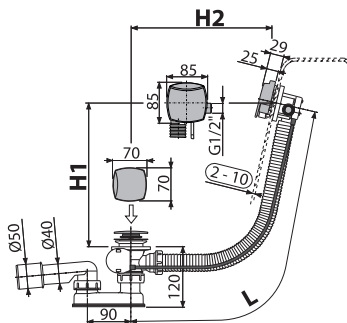
Bath pop-up waste and trap, with overflow filler, chrome



| | |
|------------------------------|-----------------|
| Quantity (packing) | 12 pcs |
| Quantity (pallet) | 192 pcs |
| Material – plug/control knob | plastic/plastic |

A564CRM3

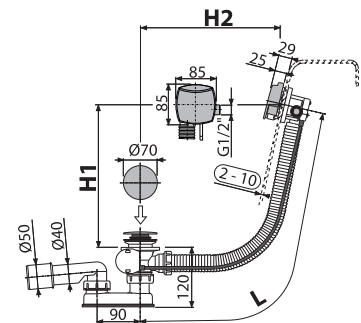
Bath pop-up waste and trap, with overflow filler, chrome



| | |
|------------------------------|-----------------|
| Quantity (packing) | 12 pcs |
| Quantity (pallet) | 192 pcs |
| Material – plug/control knob | plastic/plastic |

A564KM1

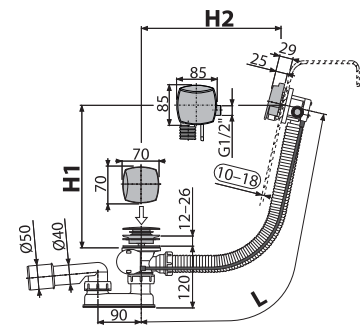
Bath pop-up waste and trap, with overflow filler, metal



| | |
|------------------------------|-------------|
| Quantity (packing) | 12 pcs |
| Quantity (pallet) | 192 pcs |
| Material – plug/control knob | metal/metal |

A565KM3

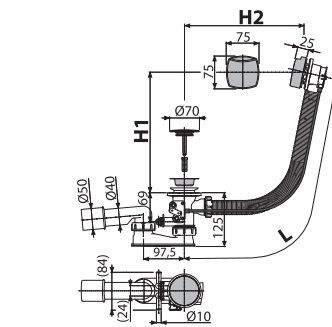
Bath pop-up waste and trap, with overflow filler, for thick-walled bathtubs, metal



| | |
|------------------------------|-------------|
| Quantity (packing) | 12 pcs |
| Quantity (pallet) | 192 pcs |
| Material – plug/control knob | metal/metal |

A566-112122-57

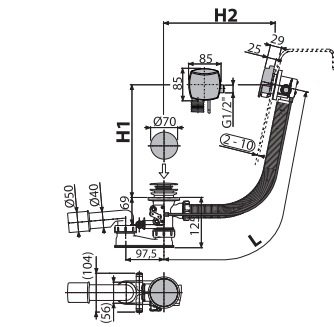
Bath waste and trap for whirlpool bathtubs, chrome



| | |
|------------------------------|-----------------|
| Quantity (packing) | 12 pcs |
| Quantity (pallet) | 192 pcs |
| Material – plug/control knob | plastic/plastic |

A566-273133-57

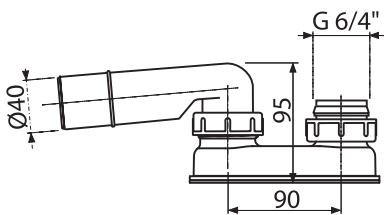
Bath waste and trap for whirlpool bathtubs with overflow filler, metal



| | |
|------------------------------|-------------|
| Quantity (packing) | 12 pcs |
| Quantity (pallet) | 192 pcs |
| Material – plug/control knob | metal/metal |

A53-DN40

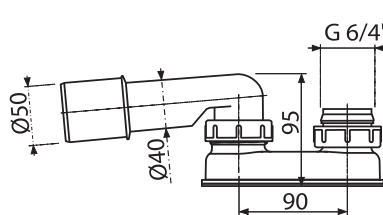
Odour trap



| | |
|--------------------|---------------|
| Quantity (packing) | 75 pcs |
| Quantity (pallet) | 1200 pcs |
| Material | polypropylene |

A53-DN50

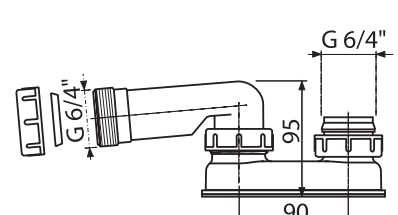
Odour trap



| | |
|--------------------|---------------|
| Quantity (packing) | 75 pcs |
| Quantity (pallet) | 1200 pcs |
| Material | polypropylene |

A53-6/4"

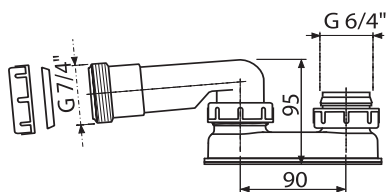
Odour trap



| | |
|--------------------|---------------|
| Quantity (packing) | 75 pcs |
| Quantity (pallet) | 1200 pcs |
| Material | polypropylene |

A53-7/4"

Odour trap



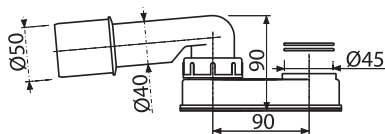
| | |
|--------------------|---------------|
| Quantity (packing) | 75 pcs |
| Quantity (pallet) | 1200 pcs |
| Material | polypropylene |

A531

Odour trap lowered



REDUCED HEIGHT



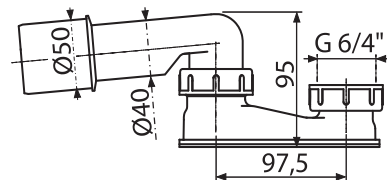
| | |
|--------------------|---------------|
| Quantity (packing) | 75 pcs |
| Quantity (pallet) | 1200 pcs |
| Material | polypropylene |

A532-DN50

Odour trap lowered



REDUCED HEIGHT



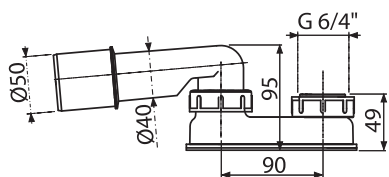
| | |
|--------------------|---------------|
| Quantity (packing) | 75 pcs |
| Quantity (pallet) | 1200 pcs |
| Material | polypropylene |

A533-DN50

Odour trap



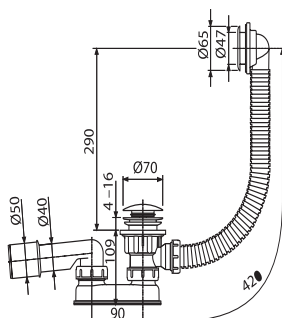
REDUCED HEIGHT



| | |
|--------------------|---------------|
| Quantity (packing) | 75 pcs |
| Quantity (pallet) | 1200 pcs |
| Material | polypropylene |

A503KM

Shower waste and trap CLICK/CLACK, metal



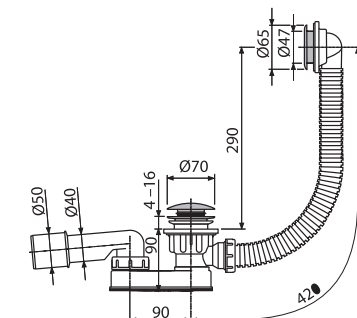
| | |
|----------------------|---------------|
| Quantity (packing) | 25 pcs |
| Quantity (pallet) | 400 pcs |
| Material – plug/grid | metal/plastic |

A506KM

Shower waste and trap CLICK/CLACK, metal



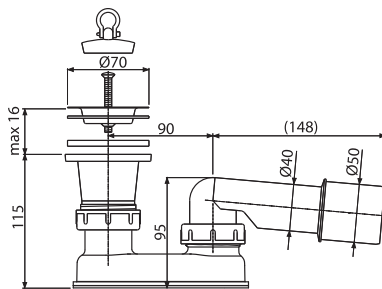
REDUCED HEIGHT



| | |
|----------------------|---------------|
| Quantity (packing) | 25 pcs |
| Quantity (pallet) | 400 pcs |
| Material – plug/grid | metal/plastic |

A461-50

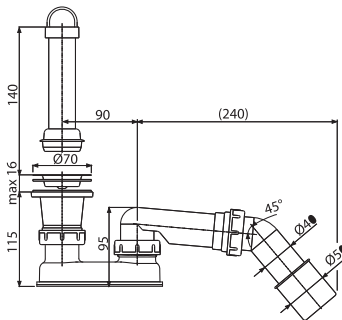
Shower waste and trap



| | |
|--------------------|---------------|
| Quantity (packing) | 50 pcs |
| Quantity (pallet) | 800 pcs |
| Material | polypropylene |

A462-50

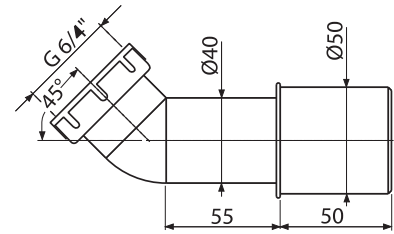
Shower waste and trap, with overflow pipe and elbow



| | |
|--------------------|---------------|
| Quantity (packing) | 35 pcs |
| Quantity (pallet) | 560 pcs |
| Material | polypropylene |

A52

Elbow 45°



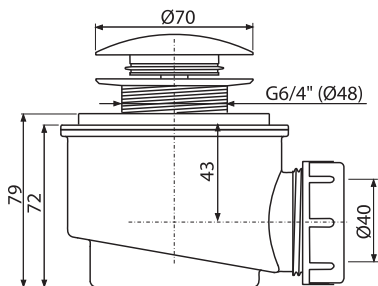
| | |
|--------------------|----------|
| Quantity (packing) | 75 pcs |
| Quantity (pallet) | 2100 pcs |
| Material | ABS |

A465-50

Shower waste and trap CLICK/CLACK, metal



Ø50



| | |
|---------------------------|---------------------|
| Quantity (packing) | 30 pcs |
| Quantity (pallet) | 840 pcs |
| Material – trap body/plug | polypropylene/metal |

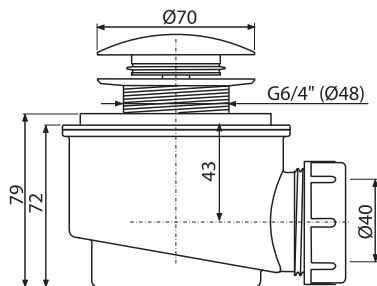
A465BLACK-50

Shower waste and trap CLICK/CLACK, black-matt

N



Ø50



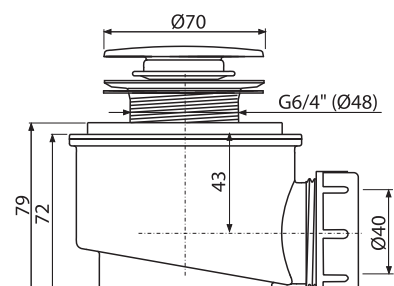
| | |
|---------------------------|---------------------|
| Quantity (packing) | 30 pcs |
| Quantity (pallet) | 840 pcs |
| Material – trap body/plug | polypropylene/metal |

A466-50

Shower waste and trap CLICK/CLACK, chrome matt



Ø50



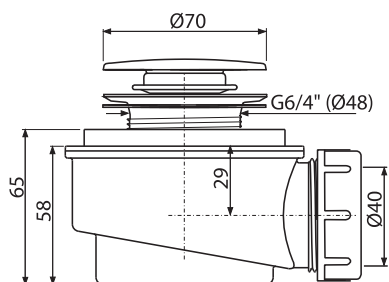
| | |
|---------------------------|-----------------------|
| Quantity (packing) | 30 pcs |
| Quantity (pallet) | 840 pcs |
| Material – trap body/plug | polypropylene/plastic |

A476-50

Shower waste set CLICK/CLACK, chrome



Ø50



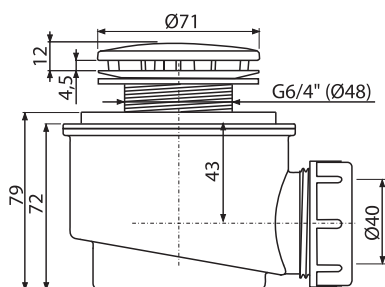
| | |
|---------------------------|-----------------------|
| Quantity (packing) | 30 pcs |
| Quantity (pallet) | 840 pcs |
| Material – trap body/plug | polypropylene/plastic |

A46-50

Shower waste and trap with stainless steel grid



Ø50



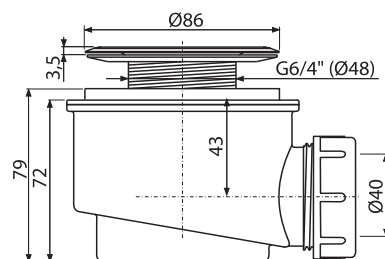
| | |
|----------------------------|---------------------|
| Quantity (packing) | 30 pcs |
| Quantity (pallet) | 840 pcs |
| Material – trap body/cover | polypropylene/metal |

A46-60

Shower waste and trap with stainless steel grid



Ø60



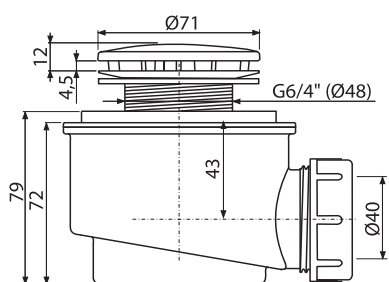
| | |
|----------------------------|---------------------|
| Quantity (packing) | 30 pcs |
| Quantity (pallet) | 840 pcs |
| Material – trap body/cover | polypropylene/metal |

A47B-50

Shower waste and trap, white



Ø50



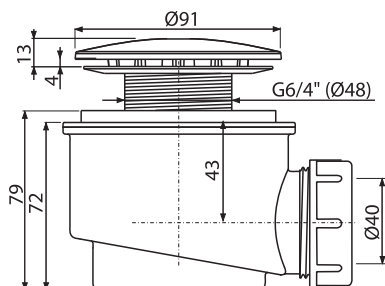
| | |
|----------------------------|-----------------------|
| Quantity (packing) | 30 pcs |
| Quantity (pallet) | 840 pcs |
| Material – trap body/cover | polypropylene/plastic |

A47B-60

Shower waste and trap, white



Ø60



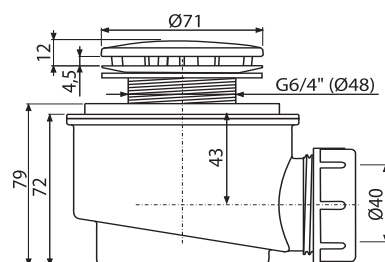
| | |
|----------------------------|-----------------------|
| Quantity (packing) | 30 pcs |
| Quantity (pallet) | 840 pcs |
| Material – trap body/cover | polypropylene/plastic |

A47CR-50

Shower waste and trap, chrome



Ø50



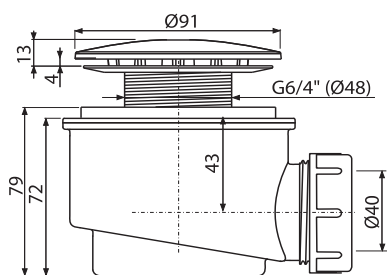
| | |
|----------------------------|-----------------------|
| Quantity (packing) | 30 pcs |
| Quantity (pallet) | 840 pcs |
| Material – trap body/cover | polypropylene/plastic |

A47CR-60

Shower waste and trap, chrome



Ø60



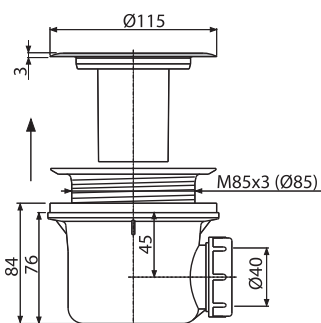
Quantity (packing) 30 pcs
Quantity (pallet) 840 pcs
Material – trap body/cover polypropylene/plastic

A48

Shower waste and trap with stainless steel grid



Ø90



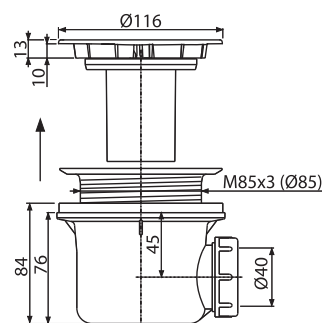
Quantity (packing) 24 pcs
Quantity (pallet) 672 pcs
Material – trap body/cover polypropylene/metal

A49B

Shower waste and trap, white



Ø90



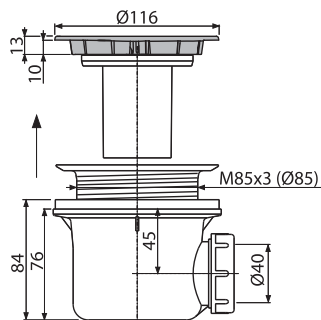
Quantity (packing) 24 pcs
Quantity (pallet) 672 pcs
Material – trap body/cover polypropylene/plastic

A49CR

Shower waste and trap, chrome



Ø90



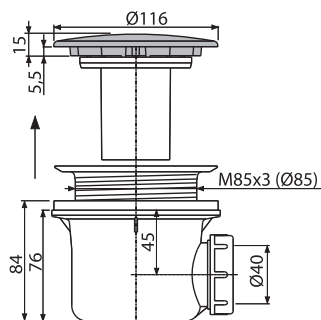
Quantity (packing) 24 pcs
Quantity (pallet) 672 pcs
Material – trap body/cover polypropylene/plastic

A49K

Shower waste and trap, metal LUX



Ø90



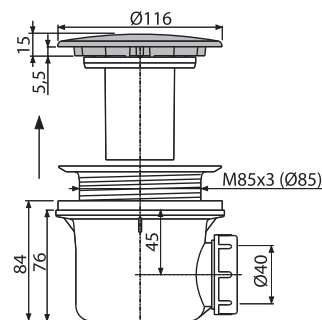
Quantity (packing) 24 pcs
Quantity (pallet) 672 pcs
Material – trap body/cover polypropylene/metal

A49K MAT

Shower waste and trap, metal LUX



Ø90



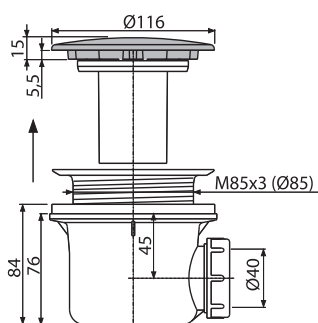
Quantity (packing) 24 pcs
Quantity (pallet) 672 pcs
Material – trap body/cover polypropylene/metal

A49ANTIC

Shower waste and trap, bronze-antic



Ø90



| | |
|----------------------------|---------------------|
| Quantity (packing) | 24 pcs |
| Quantity (pallet) | 672 pcs |
| Material – trap body/cover | polypropylene/metal |

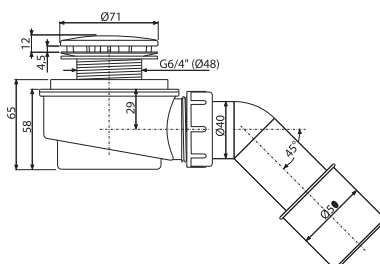
A471CR-50

Shower waste set, chrome



REDUCED HEIGHT

Ø50



| | |
|----------------------------|-----------------------|
| Quantity (packing) | 25 pcs |
| Quantity (pallet) | 700 pcs |
| Material – trap body/cover | polypropylene/plastic |

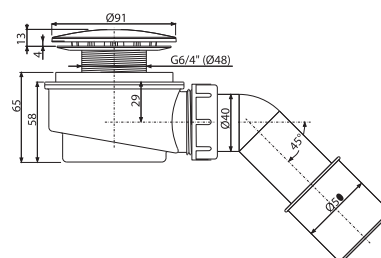
A471CR-60

Shower waste set, chrome



REDUCED HEIGHT

Ø60



| | |
|----------------------------|-----------------------|
| Quantity (packing) | 25 pcs |
| Quantity (pallet) | 700 pcs |
| Material – trap body/cover | polypropylene/plastic |

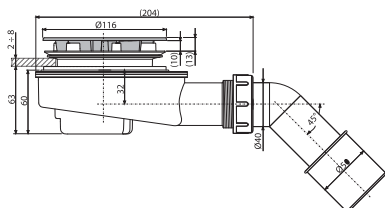
A491CR

Shower waste set, chrome



REDUCED HEIGHT

Ø90



| | |
|----------------------------|-----------------------|
| Quantity (packing) | 15 pcs |
| Quantity (pallet) | 420 pcs |
| Material – trap body/cover | polypropylene/plastic |

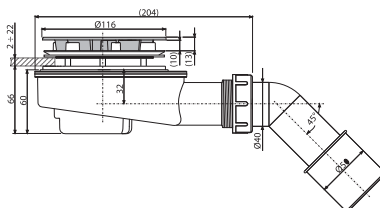
A492CR

Shower waste set for thick trays, chrome



REDUCED HEIGHT

Ø90



| | |
|----------------------------|-----------------------|
| Quantity (packing) | 15 pcs |
| Quantity (pallet) | 420 pcs |
| Material – trap body/cover | polypropylene/plastic |

A41

Wash-basin waste and trap DN40 with stainless steel grid DN63

A410

Wash-basin waste and trap DN32 with stainless steel grid DN63



| | |
|--------------------|---------------|
| Quantity (packing) | 25 pcs |
| Quantity (pallet) | 700 pcs |
| Material | polypropylene |

A42

Wash-basin waste and trap DN40 with plastic grid DN63

A420

Wash-basin waste and trap DN32 with plastic grid DN63



| | |
|--------------------|---------------|
| Quantity (packing) | 25 pcs |
| Quantity (pallet) | 700 pcs |
| Material | polypropylene |

A411

Wash-basin waste and trap DN32 with stainless steel grid DN63



| | |
|--------------------|---------------|
| Quantity (packing) | 25 pcs |
| Quantity (pallet) | 700 pcs |
| Material | polypropylene |

A412-DN40

Wash-basin waste and trap "S" DN40 with stainless steel grid DN63



| | |
|--------------------|---------------|
| Quantity (packing) | 25 pcs |
| Quantity (pallet) | 700 pcs |
| Material | polypropylene |

A421

Wash-basin waste and trap DN32 with plastic grid DN63



| | |
|--------------------|---------------|
| Quantity (packing) | 25 pcs |
| Quantity (pallet) | 700 pcs |
| Material | polypropylene |

A41P

Wash-basin waste and trap DN40 with connector and stainless steel grid DN63

A410P

Wash-basin waste and trap DN32 with connector and stainless steel grid DN63



| | |
|--------------------|---------------|
| Quantity (packing) | 20 pcs |
| Quantity (pallet) | 560 pcs |
| Material | polypropylene |

A42P

Wash-basin waste and trap DN40 with connector and plastic grid DN63

A420P

Wash-basin waste and trap DN32 with connector and plastic grid DN63



| | |
|--------------------|---------------|
| Quantity (packing) | 20 pcs |
| Quantity (pallet) | 560 pcs |
| Material | polypropylene |

A413

Space saving wash-basin trap DN63



| | |
|--------------------|---------------|
| Quantity (packing) | 15 pcs |
| Quantity (pallet) | 420 pcs |
| Material | polypropylene |

A41R

Wash-basin waste and trap DN40 with stainless steel grid DN63, chain



| | |
|--------------------|---------------|
| Quantity (packing) | 25 pcs |
| Quantity (pallet) | 700 pcs |
| Material | polypropylene |

A42R

Wash-basin waste and trap DN40 with plastic grid DN63, chain



| | |
|--------------------|---------------|
| Quantity (packing) | 25 pcs |
| Quantity (pallet) | 700 pcs |
| Material | polypropylene |

A41PR

Wash-basin waste and trap DN40 with connector and stainless steel grid DN63, chain



| | |
|--------------------|---------------|
| Quantity (packing) | 20 pcs |
| Quantity (pallet) | 560 pcs |
| Material | polypropylene |

A45F-DN40

Wash-basin and bidet trap DN40 plastic



| | |
|--------------------|---------------|
| Quantity (packing) | 25 pcs |
| Quantity (pallet) | 700 pcs |
| Material | polypropylene |

A45F-DN32

Wash-basin and bidet trap DN32 plastic

A43

Wash-basin trap DN40 with coupling nut 5/4"



| | |
|--------------------|---------------|
| Quantity (packing) | 25 pcs |
| Quantity (pallet) | 700 pcs |
| Material | polypropylene |

A43P

Wash-basin trap DN40 with connector and coupling nut 5/4"



| | |
|--------------------|---------------|
| Quantity (packing) | 25 pcs |
| Quantity (pallet) | 700 pcs |
| Material | polypropylene |

A434

Space-saving wash-basin trap with coupling nut 5/4"



| | |
|--------------------|---------------|
| Quantity (packing) | 10 pcs |
| Quantity (pallet) | 280 pcs |
| Material | polypropylene |

P066

Set of spare seals for wash-basin traps



| | |
|--------------------|--------|
| Quantity (packing) | - |
| Quantity (pallet) | - |
| Material | rubber |

A31

Wash-basin waste 5/4" with stainless steel grid DN63



| | |
|--------------------|---------------|
| Quantity (packing) | 100 pcs |
| Quantity (pallet) | 2800 pcs |
| Material | polypropylene |

A32

Wash-basin waste 5/4" with plastic grid DN63



| | |
|--------------------|---------------|
| Quantity (packing) | 100 pcs |
| Quantity (pallet) | 2800 pcs |
| Material | polypropylene |

A31P

Wash-basin waste 6/4" with stainless steel grid DN63 and connector



| | |
|--------------------|---------------|
| Quantity (packing) | 75 pcs |
| Quantity (pallet) | 2100 pcs |
| Material | polypropylene |

A439

Wash-basin waste 5/4", metal



| | |
|--------------------|-----------------|
| Quantity (packing) | 45 pcs |
| Quantity (pallet) | 1260 pcs |
| Material | stainless steel |

A750+A31

Flexi pipe 5/4"×32/40 plastic + Wash-basin waste 5/4" with stainless steel grid DN63



| | |
|--------------------|---------------|
| Quantity (packing) | 75 pcs |
| Quantity (pallet) | 1200 pcs |
| Material | polypropylene |

A391

Wash-basin CLICK/CLACK waste 5/4", metal with overflow, small plug



| | |
|--------------------|---------------------|
| Quantity (packing) | 40 pcs |
| Quantity (pallet) | 1280 pcs |
| Material | chrome-plated brass |

A392

Wash-basin CLICK/CLACK waste 5/4", metal with overflow, big plug



| | |
|--------------------|---------------------|
| Quantity (packing) | 30 pcs |
| Quantity (pallet) | 840 pcs |
| Material | chrome-plated brass |

A392B

Wash-basin CLICK/CLACK waste 5/4" metal with overflow, big white plug



| | |
|--------------------|---------------------|
| Quantity (packing) | 30 pcs |
| Quantity (pallet) | 840 pcs |
| Material | chrome-plated brass |

A392ANTIC

Wash-basin CLICK/CLACK waste 5/4" metal with overflow, big plug, bronze-antic



| | |
|--------------------|--------------------------------|
| Quantity (packing) | 30 pcs |
| Quantity (pallet) | 840 pcs |
| Material | brass with bronze-antic finish |

A392BLACK

Wash-basin CLICK/CLACK waste 5/4", metal with overflow, big black plug



| | |
|--------------------|--|
| Quantity (packing) | 30 pcs |
| Quantity (pallet) | 840 pcs |
| Material | chrome-plated brass with black-matt finish |

A392C

Wash-basin CLICK/CLACK waste 5/4", metal with overflow, big plug



FROM II. Q



| | |
|--------------------|---------------------|
| Quantity (packing) | 30 pcs |
| Quantity (pallet) | 840 pcs |
| Material | chrome-plated brass |

A393

Wash-basin CLICK/CLACK waste 5/4", metal with overflow, square plug



| | |
|--------------------|---------------------|
| Quantity (packing) | 30 pcs |
| Quantity (pallet) | 840 pcs |
| Material | chrome-plated brass |

A394

Wash-basin CLICK/CLACK waste 5/4", metal without overflow, small plug, for plastic and glass wash-basins



| | |
|--------------------|---------------------|
| Quantity (packing) | 40 pcs |
| Quantity (pallet) | 1120 pcs |
| Material | chrome-plated brass |

A395

Wash-basin CLICK/CLACK waste 5/4", metal without overflow, big plug, for plastic and glass wash-basins



| | |
|--------------------|---------------------|
| Quantity (packing) | 30 pcs |
| Quantity (pallet) | 840 pcs |
| Material | chrome-plated brass |

A395B

Wash-basin CLICK/CLACK waste 5/4", metal without overflow, big white plug, for plastic and glass wash-basins



| | |
|--------------------|---------------------|
| Quantity (packing) | 30 pcs |
| Quantity (pallet) | 840 pcs |
| Material | chrome-plated brass |

A39

Wash-basin CLICK/CLACK waste 5/4", metal with overflow, small plug



| | |
|--------------------|---------------------|
| Quantity (packing) | 40 pcs |
| Quantity (pallet) | 1120 pcs |
| Material | chrome-plated brass |

A390

Wash-basin CLICK/CLACK waste 5/4", metal with overflow, big plug



| | |
|--------------------|---------------------|
| Quantity (packing) | 40 pcs |
| Quantity (pallet) | 1120 pcs |
| Material | chrome-plated brass |

A396

Wash-basin waste 5/4", metal, big plug, for wash-basins without overflow



| | |
|--------------------|---------------------|
| Quantity (packing) | 30 pcs |
| Quantity (pallet) | 840 pcs |
| Material | chrome-plated brass |

A328B

Wash-basin overflow, white



| | |
|---------------------|-----------------------|
| Quantity (packing) | 50 pcs |
| Quantity (pallet) | 800 pcs |
| Material – body/cap | polypropylene/plastic |

A328CR

Wash-basin overflow, chrome



| | |
|---------------------|---|
| Quantity (packing) | 50 pcs |
| Quantity (pallet) | 800 pcs |
| Material – body/cap | polypropylene/ chrome-plated plastic |

ARV001

Angle valve with a filter 1/2"×3/8", round



| | |
|--------------------|---------------------|
| Quantity (packing) | 60 pcs |
| Quantity (pallet) | 1680 pcs |
| Material | chrome-plated metal |

ARV001-ANTIC

Angle valve with a filter 1/2"×3/8", bronze-antic



| | |
|--------------------|--------------------------------|
| Quantity (packing) | 60 pcs |
| Quantity (pallet) | 1680 pcs |
| Material | metal with bronze-antic finish |

ARV001-BLACK



Angle valve with a filter 1/2"×3/8", black-matt



| | |
|--------------------|--|
| Quantity (packing) | 60 pcs |
| Quantity (pallet) | 1680 pcs |
| Material | chrome-plated metal with black-matt finish |

ARV002

Angle valve 1/2"×3/8", square



| | |
|--------------------|---------------------|
| Quantity (packing) | 72 pcs |
| Quantity (pallet) | 2016 pcs |
| Material | chrome-plated metal |

A400

Wash-basin trap DN32 DESIGN metal, round



| | |
|--------------------|---------------------|
| Quantity (packing) | 12 pcs |
| Quantity (pallet) | 336 pcs |
| Material | chrome-plated brass |

A400ANTIC

Wash-basin trap DESIGN DN32, bronze-antic



| | |
|--------------------|--------------------------------|
| Quantity (packing) | 12 pcs |
| Quantity (pallet) | 336 pcs |
| Material | brass with bronze-antic finish |

A400BLACK



Wash-basin trap DESIGN DN32, black-matt



| | |
|--------------------|--|
| Quantity (packing) | 12 pcs |
| Quantity (pallet) | 336 pcs |
| Material | chrome-plated brass with black-matt finish |

A401

Wash-basin trap DN32 DESIGN metal, square



| | |
|--------------------|---------------------|
| Quantity (packing) | 12 pcs |
| Quantity (pallet) | 336 pcs |
| Material | chrome-plated brass |

A402

Wash-basin trap DESIGN, metal DN32, massive



| | |
|--------------------|---------------------|
| Quantity (packing) | 7 pcs |
| Quantity (pallet) | 252 pcs |
| Material | chrome-plated brass |

A403

Wash-basin trap DESIGN, metal DN32, space saving



| | |
|--------------------|---------------------|
| Quantity (packing) | 10 pcs |
| Quantity (pallet) | 160 pcs |
| Material | chrome-plated brass |

A431

Wash-basin trap DN32 with coupling nut 5/4", metal



| | |
|--------------------|---------------------|
| Quantity (packing) | 20 pcs |
| Quantity (pallet) | 560 pcs |
| Material | chrome-plated brass |

A437

Wash-basin trap, metal DN32, with metal waste 5/4"



| | |
|--------------------|---------------------|
| Quantity (packing) | 20 pcs |
| Quantity (pallet) | 560 pcs |
| Material | chrome-plated brass |

A432

Wash-basin trap "U" DN32, with coupling nut 5/4", metal



| | |
|--------------------|---------------------|
| Quantity (packing) | 25 pcs |
| Quantity (pallet) | 700 pcs |
| Material | chrome-plated brass |

A4320

Wash-basin trap "U" DN32, with coupling nut 5/4", metal



| | |
|--------------------|---------------------|
| Quantity (packing) | 20 pcs |
| Quantity (pallet) | 560 pcs |
| Material | chrome-plated brass |

A4320BLACK

Wash-basin trap "U" DN32, with coupling nut 5/4", black-matt



| | |
|--------------------|--|
| Quantity (packing) | 20 pcs |
| Quantity (pallet) | 560 pcs |
| Material | chrome-plated brass with black-matt finish |

A438

Metal elbow DN32, 5/4" nut



| | |
|--------------------|---------------------|
| Quantity (packing) | 15 pcs |
| Quantity (pallet) | 420 pcs |
| Material | chrome-plated metal |

A4000

Extension piece DN32



| | |
|--------------------|---------------------|
| Quantity (packing) | 50 pcs |
| Quantity (pallet) | 1400 pcs |
| Material | chrome-plated brass |

A4000BLACK

Extension piece DN32, black-matt



| | |
|--------------------|--|
| Quantity (packing) | 50 pcs |
| Quantity (pallet) | 1400 pcs |
| Material | chrome-plated brass with black-matt finish |

A441-DN50/40

Sink waste and trap with stainless steel grid DN70



| | |
|--------------------|---------------|
| Quantity (packing) | 25 pcs |
| Quantity (pallet) | 700 pcs |
| Material | polypropylene |

A441P-DN50/40

Sink waste and trap with stainless steel grid DN70 and connector



| | |
|--------------------|---------------|
| Quantity (packing) | 20 pcs |
| Quantity (pallet) | 560 pcs |
| Material | polypropylene |

A442-DN50/40

Sink waste and trap with plastic grid DN70



| | |
|--------------------|---------------|
| Quantity (packing) | 25 pcs |
| Quantity (pallet) | 700 pcs |
| Material | polypropylene |

A442P-DN50/40

Sink waste and trap with plastic grid DN70 and connector



| | |
|--------------------|---------------|
| Quantity (packing) | 20 pcs |
| Quantity (pallet) | 560 pcs |
| Material | polypropylene |

A444-DN50/40

Sink waste and trap with stainless steel grid DN70 and flexi overflow



| | |
|--------------------|---------------|
| Quantity (packing) | 15 pcs |
| Quantity (pallet) | 420 pcs |
| Material | polypropylene |

A444P-DN50/40

Sink waste and trap with stainless steel grid DN70, flexi overflow and connector



| | |
|--------------------|---------------|
| Quantity (packing) | 15 pcs |
| Quantity (pallet) | 420 pcs |
| Material | polypropylene |

A446-DN50/40

Sink waste and trap with stainless steel grid DN115



| | |
|--------------------|---------------|
| Quantity (packing) | 15 pcs |
| Quantity (pallet) | 420 pcs |
| Material | polypropylene |

A446P-DN50/40

Sink waste and trap with stainless steel grid DN115 and connector



| | |
|--------------------|---------------|
| Quantity (packing) | 15 pcs |
| Quantity (pallet) | 420 pcs |
| Material | polypropylene |

A447-DN50/40

Sink waste and trap with stainless steel grid DN115 and flexi overflow



| | |
|--------------------|---------------|
| Quantity (packing) | 15 pcs |
| Quantity (pallet) | 420 pcs |
| Material | polypropylene |

A447P-DN50/40

Sink waste and trap with stainless steel grid DN115, flexi overflow and connector



| | |
|--------------------|---------------|
| Quantity (packing) | 15 pcs |
| Quantity (pallet) | 420 pcs |
| Material | polypropylene |

A449-DN50/40

Double sink wastes and trap with stainless steel grids DN70



| | |
|--------------------|---------------|
| Quantity (packing) | 10 pcs |
| Quantity (pallet) | 280 pcs |
| Material | polypropylene |

A449P-DN50/40

Double sink wastes and trap with stainless steel grids DN70 and connector



| | |
|--------------------|---------------|
| Quantity (packing) | 10 pcs |
| Quantity (pallet) | 280 pcs |
| Material | polypropylene |

A453P

Double sink wastes and trap with stainless steel grids DN115 and connector



| | |
|--------------------|---------------|
| Quantity (packing) | 10 pcs |
| Quantity (pallet) | 160 pcs |
| Material | polypropylene |

A454P

Double sink wastes and trap with stainless steel grids DN115 and connector, two-level



| | |
|--------------------|---------------|
| Quantity (packing) | 8 pcs |
| Quantity (pallet) | 224 pcs |
| Material | polypropylene |

A800-DN40

Sink waste and pipe trap with stainless steel grid DN70



| | |
|--------------------|---------------|
| Quantity (packing) | 20 pcs |
| Quantity (pallet) | 560 pcs |
| Material | polypropylene |

A800-DN50

Sink waste and pipe trap with stainless steel grid DN70

A810-DN40

Sink waste and pipe trap with stainless steel grid DN70 and connector



| | |
|--------------------|---------------|
| Quantity (packing) | 15 pcs |
| Quantity (pallet) | 420 pcs |
| Material | polypropylene |

A810-DN50

Sink waste and pipe trap with stainless steel grid DN70 and connector

A820-DN40

Sink waste and pipe trap with stainless steel grid DN70 and two connectors



| | |
|--------------------|---------------|
| Quantity (packing) | 15 pcs |
| Quantity (pallet) | 420 pcs |
| Material | polypropylene |

A820-DN50

Sink waste and pipe trap with stainless steel grid DN70 and two connectors

A830-DN50/40

Sink waste and pipe trap with stainless steel grid DN70, connector and flexi pipe



| | |
|--------------------|---------------|
| Quantity (packing) | 10 pcs |
| Quantity (pallet) | 280 pcs |
| Material | polypropylene |

A840-DN50/40

Sink waste and pipe trap with stainless steel grid DN70, two connectors and flexi pipe



| | |
|--------------------|---------------|
| Quantity (packing) | 10 pcs |
| Quantity (pallet) | 280 pcs |
| Material | polypropylene |

A870P-DN40

Space conserving sink trap DN40 with a connector



| | |
|--------------------|---------------|
| Quantity (packing) | 15 pcs |
| Quantity (pallet) | 240 pcs |
| Material | polypropylene |

A464-DN50

Shower waste and trap DN80



| | |
|--------------------|---------------|
| Quantity (packing) | 25 pcs |
| Quantity (pallet) | 400 pcs |
| Material | polypropylene |

A8000

Universal sink trap set



| | |
|--------------------|---------------|
| Quantity (packing) | 5 pcs |
| Quantity (pallet) | 80 pcs |
| Material | polypropylene |

P067

Set of spare seals for sink traps



| | |
|--------------------|--------|
| Quantity (packing) | - |
| Quantity (pallet) | - |
| Material | rubber |

P046

Pipe with rosette DN40



| | |
|--------------------|----------|
| Quantity (packing) | 50 pcs |
| Quantity (pallet) | 1400 pcs |
| Material | PVC |

P047

Pipe with rosette DN50



| | |
|--------------------|----------|
| Quantity (packing) | 40 pcs |
| Quantity (pallet) | 1120 pcs |
| Material | PVC |

P109

Space-saving connector 6/4"



| | |
|--------------------|---------------|
| Quantity (packing) | 25 pcs |
| Quantity (pallet) | 400 pcs |
| Material | polypropylene |

A443-DN50/40

Sink trap with coupling nut 6/4"



| | |
|--------------------|---------------|
| Quantity (packing) | 25 pcs |
| Quantity (pallet) | 700 pcs |
| Material | polypropylene |

A443P-DN50/40

Sink trap with coupling nut 6/4" and connector



| | |
|--------------------|---------------|
| Quantity (packing) | 25 pcs |
| Quantity (pallet) | 700 pcs |
| Material | polypropylene |

A448-DN50/40

Double sink trap with coupling nut 6/4"



| | |
|--------------------|---------------|
| Quantity (packing) | 10 pcs |
| Quantity (pallet) | 280 pcs |
| Material | polypropylene |

A448P-DN50/40

Double sink trap with coupling nut 6/4" and connector



| | |
|--------------------|---------------|
| Quantity (packing) | 10 pcs |
| Quantity (pallet) | 280 pcs |
| Material | polypropylene |

A80-DN40

Pipe trap with coupling nut 6/4"



| | |
|--------------------|---------------|
| Quantity (packing) | 20 pcs |
| Quantity (pallet) | 560 pcs |
| Material | polypropylene |

A80-DN50

Pipe trap with coupling nut 6/4"

A81-DN40

Pipe trap with coupling nut 6/4" and connector



| | |
|--------------------|---------------|
| Quantity (packing) | 15 pcs |
| Quantity (pallet) | 420 pcs |
| Material | polypropylene |

A81-DN50

Pipe trap with coupling nut 6/4" and connector

A82-DN40

Pipe trap with coupling nut 6/4" and two connectors



| | |
|--------------------|---------------|
| Quantity (packing) | 15 pcs |
| Quantity (pallet) | 420 pcs |
| Material | polypropylene |

A82-DN50

Pipe trap with coupling nut 6/4" and two connectors

A83-DN50/40

Pipe trap with coupling nut 6/4", connector and flexi pipe



| | |
|--------------------|---------------|
| Quantity (packing) | 10 pcs |
| Quantity (pallet) | 280 pcs |
| Material | polypropylene |

A84-DN50/40

Pipe trap with coupling nut 6/4", two connectors and flexi pipe



| | |
|--------------------|---------------|
| Quantity (packing) | 10 pcs |
| Quantity (pallet) | 280 pcs |
| Material | polypropylene |

A872P

Space-saving sink trap with a connector and coupling nut 6/4"



| | |
|--------------------|---------------|
| Quantity (packing) | 15 pcs |
| Quantity (pallet) | 420 pcs |
| Material | polypropylene |

A873

Universal trap, concealed, space-saving



| | |
|--------------------|---------------|
| Quantity (packing) | 10 pcs |
| Quantity (pallet) | 280 pcs |
| Material | polypropylene |

A770+A33

Flexi pipe 6/4"×40/50 plastic + Sink waste 6/4" with stainless steel grid DN70



| | |
|--------------------|---------------|
| Quantity (packing) | 50 pcs |
| Quantity (pallet) | 800 pcs |
| Material | polypropylene |

A33

Sink waste 6/4" with stainless steel grid DN70



| | |
|--------------------|---------------|
| Quantity (packing) | 100 pcs |
| Quantity (pallet) | 2800 pcs |
| Material | polypropylene |

A33P

Sink waste 6/4" with stainless steel grid DN70 and with connector



| | |
|--------------------|---------------|
| Quantity (packing) | 75 pcs |
| Quantity (pallet) | 2100 pcs |
| Material | polypropylene |

A331

Sink waste 6/4" with stainless steel grid DN70 and flexi overflow



| | |
|--------------------|---------------|
| Quantity (packing) | 40 pcs |
| Quantity (pallet) | 1120 pcs |
| Material | polypropylene |

A34

Raised sink waste 6/4" with stainless steel grid DN70



| | |
|--------------------|---------------|
| Quantity (packing) | 100 pcs |
| Quantity (pallet) | 2800 pcs |
| Material | polypropylene |

A37

Sink waste 6/4" with stainless steel grid DN115



| | |
|--------------------|---------------|
| Quantity (packing) | 50 pcs |
| Quantity (pallet) | 1400 pcs |
| Material | polypropylene |

A38

Sink waste 6/4" with stainless steel grid DN115 and flexi overflow



| | |
|--------------------|---------------|
| Quantity (packing) | 30 pcs |
| Quantity (pallet) | 840 pcs |
| Material | polypropylene |

A30

Adapter pipe 6/4" with connector



| | |
|--------------------|---------------|
| Quantity (packing) | 75 pcs |
| Quantity (pallet) | 2100 pcs |
| Material | polypropylene |

A44MN

Adapter pipe with coupling nut 6/4"



| | |
|--------------------|---------------|
| Quantity (packing) | 25 pcs |
| Quantity (pallet) | 400 pcs |
| Material | polypropylene |

A44MS

Adapter pipe with coupling nut 6/4" and connector



| | |
|--------------------|---------------|
| Quantity (packing) | 25 pcs |
| Quantity (pallet) | 400 pcs |
| Material | polypropylene |

A44M-DN40

Adapter pipe with coupling nut 6/4" and two connectors



| | |
|--------------------|---------------|
| Quantity (packing) | 25 pcs |
| Quantity (pallet) | 700 pcs |
| Material | polypropylene |

A300

Adapter pipe 5/4" with connector



| | |
|--------------------|---------------|
| Quantity (packing) | 100 pcs |
| Quantity (pallet) | 2800 pcs |
| Material | polypropylene |

S0506-ND

Reduction 5/4"×6/4"



| | |
|--------------------|---------------|
| Quantity (packing) | 100 pcs |
| Quantity (pallet) | 3200 pcs |
| Material | polypropylene |

S0507-ND

Reduction 6/4"×5/4"



| | |
|--------------------|---------------|
| Quantity (packing) | - |
| Quantity (pallet) | - |
| Material | polypropylene |

S0556-ND

Reduction 6/4"×5/4"



| | |
|--------------------|---------------|
| Quantity (packing) | 100 pcs |
| Quantity (pallet) | 3200 pcs |
| Material | polypropylene |

P0048-ND

Connector set G1"/17-23



| | |
|--------------------|---------------|
| Quantity (packing) | 100 pcs |
| Quantity (pallet) | 1600 pcs |
| Material | polypropylene |

P0049-ND

Connector set G1"/8-16



| | |
|--------------------|---------------|
| Quantity (packing) | 100 pcs |
| Quantity (pallet) | 1600 pcs |
| Material | polypropylene |

P148

Double connector G1"/17-23



| | |
|--------------------|---------------|
| Quantity (packing) | 50 pcs |
| Quantity (pallet) | 800 pcs |
| Material | polypropylene |

P148Z

Double connector G1"/17-23 with return valves



| | |
|--------------------|---------------|
| Quantity (packing) | 50 pcs |
| Quantity (pallet) | 800 pcs |
| Material | polypropylene |

P149Z

Double connector G1"/8-23 with return valves



| | |
|--------------------|---------------|
| Quantity (packing) | 50 pcs |
| Quantity (pallet) | 800 pcs |
| Material | polypropylene |

P155Z

Double connector G1"/17-23 with return valves

N FROM II. Q



| | |
|--------------------|---------------|
| Quantity (packing) | 50 pcs |
| Quantity (pallet) | 800 pcs |
| Material | polypropylene |

P156Z

Double connector G1"/8-23 with return valves

N FROM II. Q



| | |
|--------------------|---------------|
| Quantity (packing) | 50 pcs |
| Quantity (pallet) | 800 pcs |
| Material | polypropylene |

P066

Set of spare seals for wash-basin traps



| | |
|--------------------|--------|
| Quantity (packing) | - |
| Quantity (pallet) | - |
| Material | rubber |

P067

Set of spare seals for sink traps



| | |
|--------------------|--------|
| Quantity (packing) | - |
| Quantity (pallet) | - |
| Material | rubber |

S0156-ND

Wrapping seal 50/40



| | |
|--------------------|--------|
| Quantity (packing) | — |
| Quantity (pallet) | — |
| Material | rubber |

S0688-ND

Wrapping seal 36/10



| | |
|--------------------|--------|
| Quantity (packing) | — |
| Quantity (pallet) | — |
| Material | rubber |

Z0003-ND

Wrapping seal 40/32



| | |
|--------------------|--------|
| Quantity (packing) | — |
| Quantity (pallet) | — |
| Material | rubber |

Z0004-ND

Wrapping seal 50/32



| | |
|--------------------|--------|
| Quantity (packing) | — |
| Quantity (pallet) | — |
| Material | rubber |

Z0026-ND

Wrapping seal 60/32



| | |
|--------------------|--------|
| Quantity (packing) | — |
| Quantity (pallet) | — |
| Material | rubber |

A22

Rosette – cover piece of wash-basin overflow DN33



| | |
|--------------------|-----------------------|
| Quantity (packing) | 200 pcs |
| Quantity (pallet) | 5600 pcs |
| Material | chrome-plated plastic |

A21

Rosette – cover piece of wash-basin overflow DN35



| | |
|--------------------|-----------------------|
| Quantity (packing) | 200 pcs |
| Quantity (pallet) | 5600 pcs |
| Material | chrome-plated plastic |

A45A

Urinal trap with rubber sleeve



| | |
|--------------------|---------------|
| Quantity (packing) | 25 pcs |
| Quantity (pallet) | 700 pcs |
| Material | polypropylene |

A45B

Urinal trap horizontal outlet DN40



| | |
|--------------------|---------------|
| Quantity (packing) | 25 pcs |
| Quantity (pallet) | 700 pcs |
| Material | polypropylene |

A45C

Urinal trap vertical outlet DN40 and DN50



| | |
|--------------------|---------------|
| Quantity (packing) | 25 pcs |
| Quantity (pallet) | 700 pcs |
| Material | polypropylene |

A438

Metal elbow DN32, 5/4" nut



| | |
|--------------------|---------------------|
| Quantity (packing) | 15 pcs |
| Quantity (pallet) | 420 pcs |
| Material | chrome-plated metal |

A45E

Bidet trap DN32 metal



| | |
|--------------------|---------------------|
| Quantity (packing) | 25 pcs |
| Quantity (pallet) | 700 pcs |
| Material | chrome-plated metal |

A45F-DN32

Wash-basin and bidet trap DN32 plastic



| | |
|--------------------|---------------|
| Quantity (packing) | 25 pcs |
| Quantity (pallet) | 700 pcs |
| Material | polypropylene |

A45F-DN40

Wash-basin and bidet trap DN40 plastic

A45G

Bidet trap DN32 metal



| | |
|--------------------|---------------------|
| Quantity (packing) | 25 pcs |
| Quantity (pallet) | 800 pcs |
| Material | chrome-plated metal |

ATS001

Button urinal flushing valve



| | |
|--------------------|---------------------|
| Quantity (packing) | 20 pcs |
| Quantity (pallet) | 560 pcs |
| Material | chrome-plated metal |

AKS1

Funnel trap for dripping condensate DN32



| | |
|--------------------|---------------|
| Quantity (packing) | 50 pcs |
| Quantity (pallet) | 1400 pcs |
| Material | polypropylene |

AKS1Z

Funnel trap for dripping condensate DN32



| | |
|--------------------|---------------|
| Quantity (packing) | 50 pcs |
| Quantity (pallet) | 1400 pcs |
| Material | polypropylene |

AKS2

Trap for dripping condensate DN40



| | |
|--------------------|---------------|
| Quantity (packing) | 15 pcs |
| Quantity (pallet) | 420 pcs |
| Material | polypropylene |

AKS3

Trap for dripping condensate DN40



| | |
|--------------------|---------------|
| Quantity (packing) | 15 pcs |
| Quantity (pallet) | 420 pcs |
| Material | polypropylene |

AKS4

Trap for dripping condensate, concealed, stainless steel DN40 and DN50



| | |
|--------------------|---------------|
| Quantity (packing) | 25 pcs |
| Quantity (pallet) | 400 pcs |
| Material | polypropylene |

AKS5

Funnel trap for dripping condensate with tube holder DN32



| | |
|--------------------|---------------|
| Quantity (packing) | 60 pcs |
| Quantity (pallet) | 960 pcs |
| Material | polypropylene |

AKS6

Reduction HT 40/50xG1/2"



| | |
|--------------------|---------------|
| Quantity (packing) | 50 pcs |
| Quantity (pallet) | 1400 pcs |
| Material | polypropylene |

AKS7

Trap for dripping condensate, concealed, stainless steel DN40 and DN50



| | |
|--------------------|---------------|
| Quantity (packing) | 25 pcs |
| Quantity (pallet) | 400 pcs |
| Material | polypropylene |

APS1

External washing machine trap, chrome



| | |
|--------------------|-------------------|
| Quantity (packing) | 100 pcs |
| Quantity (pallet) | 2800 pcs |
| Material | chrome-plated ABS |

APS2

External washing machine trap, white



| | |
|--------------------|----------|
| Quantity (packing) | 100 pcs |
| Quantity (pallet) | 2800 pcs |
| Material | ABS |

APS3

Concealed washing machine trap, stainless steel



| | |
|--------------------|---------------|
| Quantity (packing) | 40 pcs |
| Quantity (pallet) | 1120 pcs |
| Material | polypropylene |

APS3P

Concealed washing machine trap with air-admittance valve, stainless steel DN40 and DN50



| | |
|--------------------|---------------|
| Quantity (packing) | 25 pcs |
| Quantity (pallet) | 400 pcs |
| Material | polypropylene |

APS4

Concealed washing machine trap, white



| | |
|--------------------|---------------|
| Quantity (packing) | 40 pcs |
| Quantity (pallet) | 1120 pcs |
| Material | polypropylene |

APS5

External washing machine trap with air-admittance valve, white



| | |
|--------------------|----------|
| Quantity (packing) | 75 pcs |
| Quantity (pallet) | 2100 pcs |
| Material | ABS |

P148

Double connector G1"/17–23



| | |
|--------------------|---------------|
| Quantity (packing) | 50 pcs |
| Quantity (pallet) | 800 pcs |
| Material | polypropylene |

P148Z

Double connector G1"/17–23 with return valves



| | |
|--------------------|---------------|
| Quantity (packing) | 50 pcs |
| Quantity (pallet) | 800 pcs |
| Material | polypropylene |

P149Z

Double connector G1"/8–23 with return valves



| | |
|--------------------|---------------|
| Quantity (packing) | 50 pcs |
| Quantity (pallet) | 800 pcs |
| Material | polypropylene |

P155Z

Double connector G1"/17–23 with return valves



| | |
|--------------------|---------------|
| Quantity (packing) | 50 pcs |
| Quantity (pallet) | 800 pcs |
| Material | polypropylene |

P156Z

Double connector G1"/8–23 with return valves



| | |
|--------------------|---------------|
| Quantity (packing) | 50pcs |
| Quantity (pallet) | 800 pcs |
| Material | polypropylene |



Flexi pipes

| | |
|---------------------------------|-----|
| Flexi pipes PREMIUM _____ | 152 |
| Flexi pipes – accessories _____ | 157 |

A710

Flexi pipe 40x40



| | |
|--------------------|---------------|
| Quantity (packing) | 100 pcs |
| Quantity (pallet) | 1600 pcs |
| Material | polypropylene |

A720

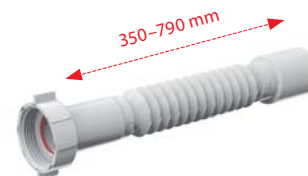
Flexi pipe 50/40x40/50



| | |
|--------------------|---------------|
| Quantity (packing) | 50 pcs |
| Quantity (pallet) | 800 pcs |
| Material | polypropylene |

A730

Flexi pipe 5/4"x40 plastic



| | |
|--------------------|---------------|
| Quantity (packing) | 100 pcs |
| Quantity (pallet) | 1600 pcs |
| Material | polypropylene |

A740

Flexi pipe 5/4"x40 metal



| | |
|--------------------|---------------|
| Quantity (packing) | 100 pcs |
| Quantity (pallet) | 1600 pcs |
| Material | polypropylene |

A750

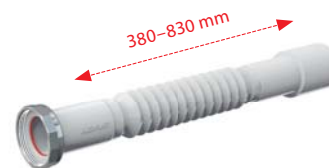
Flexi pipe 5/4"x32/40 plastic



| | |
|--------------------|---------------|
| Quantity (packing) | 100 pcs |
| Quantity (pallet) | 1600 pcs |
| Material | polypropylene |

A760

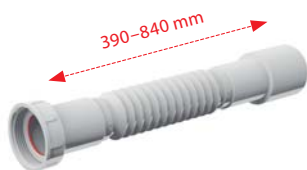
Flexi pipe 5/4"x32/40 metal



| | |
|--------------------|---------------|
| Quantity (packing) | 100 pcs |
| Quantity (pallet) | 1600 pcs |
| Material | polypropylene |

A770

Flexi pipe 6/4"x40/50 plastic



| | |
|--------------------|---------------|
| Quantity (packing) | 75 pcs |
| Quantity (pallet) | 1200 pcs |
| Material | polypropylene |

A780

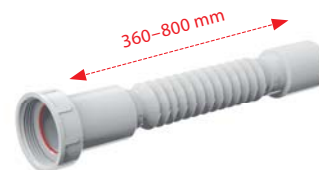
Flexi pipe 6/4"x40/50 metal



| | |
|--------------------|---------------|
| Quantity (packing) | 75 pcs |
| Quantity (pallet) | 1200 pcs |
| Material | polypropylene |

A791

Flexi pipe 6/4"x40 plastic



| | |
|--------------------|---------------|
| Quantity (packing) | 100 pcs |
| Quantity (pallet) | 1600 pcs |
| Material | polypropylene |

A792

Flexi pipe 6/4"x40 metal



| | |
|--------------------|---------------|
| Quantity (packing) | 100 pcs |
| Quantity (pallet) | 1600 pcs |
| Material | polypropylene |

A793

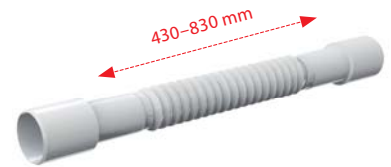
Flexi pipe 6/4" with reduction to 5/4"x50/40 plastic



| | |
|--------------------|---------------|
| Quantity (packing) | 75 pcs |
| Quantity (pallet) | 1200 pcs |
| Material | polypropylene |

A794

Flexi pipe 40-32x32-40



| | |
|--------------------|---------------|
| Quantity (packing) | 100 pcs |
| Quantity (pallet) | 1600 pcs |
| Material | polypropylene |

A7990

Two-component seal 5/4"



| | |
|--------------------|-----------|
| Quantity (packing) | 10 pcs |
| Quantity (pallet) | - |
| Material | elastomer |

A7991

Two-component seal 6/4"



| | |
|--------------------|-----------|
| Quantity (packing) | 10 pcs |
| Quantity (pallet) | - |
| Material | elastomer |

A7992

Two-component seal 1"



| | |
|--------------------|-----------|
| Quantity (packing) | 10 pcs |
| Quantity (pallet) | - |
| Material | elastomer |

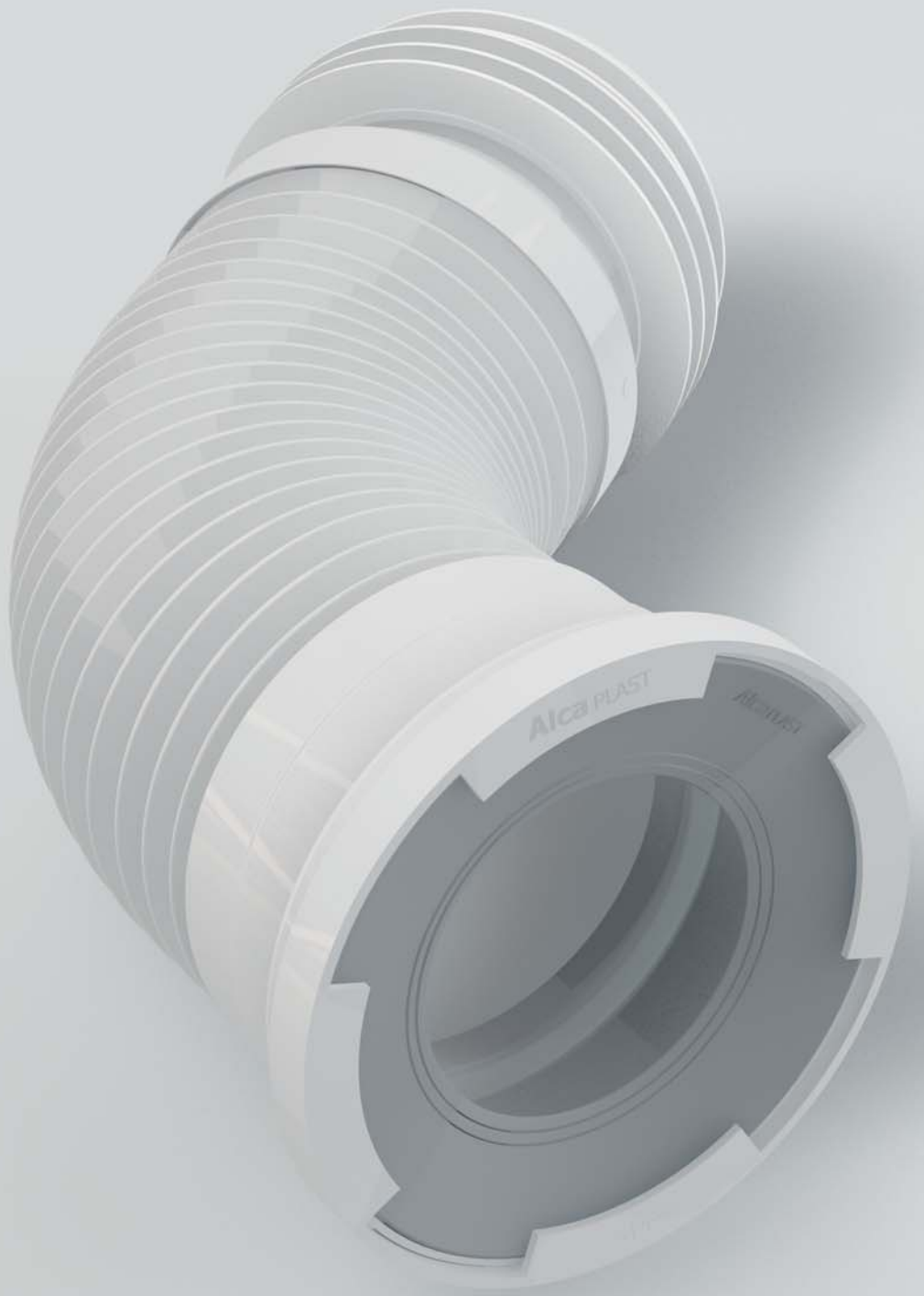
A7993

Flexi pipe holder



| | |
|--------------------|--------|
| Quantity (packing) | 10 pcs |
| Quantity (pallet) | - pcs |
| Material | |





WC accessories

| | |
|----------------------|-----|
| WC flexi connectors | 160 |
| WC connectors | 160 |
| Air admittance heads | 162 |
| Bath access doors | 163 |

A97

WC flexi connector



280-550 mm

| | |
|--------------------|---------------|
| Quantity (packing) | 20 pcs |
| Quantity (pallet) | 320 pcs |
| Material | polypropylene |

A97L

WC flexi connector



260-645 mm

| | |
|--------------------|---------------|
| Quantity (packing) | - pcs |
| Quantity (pallet) | - pcs |
| Material | polypropylene |

A97SN

WC flexi connector



200-520 mm

| | |
|--------------------|---------------|
| Quantity (packing) | 20 pcs |
| Quantity (pallet) | 320 pcs |
| Material | polypropylene |

A970

WC flexi connector



280-550 mm

| | |
|--------------------|---------------|
| Quantity (packing) | 20 pcs |
| Quantity (pallet) | 320 pcs |
| Material | polypropylene |

M9006

Elbow waste connector DN90/110 flexi



230-450 mm

| | |
|--------------------|---------------|
| Quantity (packing) | 25 pcs |
| Quantity (pallet) | 400 pcs |
| Material | polypropylene |

A90-22

WC connector – elbow 22°



| | |
|--------------------|---------------|
| Quantity (packing) | 20 pcs |
| Quantity (pallet) | 320 pcs |
| Material | polypropylene |

A90-45

WC connector – elbow 45°



| | |
|--------------------|---------------|
| Quantity (packing) | 20 pcs |
| Quantity (pallet) | 320 pcs |
| Material | polypropylene |

A90-90

WC connector – elbow 90°



| | |
|--------------------|---------------|
| Quantity (packing) | 12 pcs |
| Quantity (pallet) | 192 pcs |
| Material | polypropylene |

A90-90P40

WC connector for DN40 – elbow 90°



| | |
|--------------------|---------------|
| Quantity (packing) | 12 pcs |
| Quantity (pallet) | 192 pcs |
| Material | polypropylene |

A91-150

WC connector – length 150 mm



| | |
|--------------------|---------------|
| Quantity (packing) | 30 pcs |
| Quantity (pallet) | 480 pcs |
| Material | polypropylene |

A91-250

WC connector – length 250 mm



| | |
|--------------------|---------------|
| Quantity (packing) | 20 pcs |
| Quantity (pallet) | 320 pcs |
| Material | polypropylene |

A91-400

WC connector – length 400 mm



| | |
|--------------------|---------------|
| Quantity (packing) | 15 pcs |
| Quantity (pallet) | 240 pcs |
| Material | polypropylene |

A92

WC connector eccentric 158 mm



| | |
|--------------------|---------------|
| Quantity (packing) | 30 pcs |
| Quantity (pallet) | 480 pcs |
| Material | polypropylene |

A98

WC rosette DN110 small



| | |
|--------------------|---------------|
| Quantity (packing) | 75 pcs |
| Quantity (pallet) | 1200 pcs |
| Material | polypropylene |

A980

WC rosette DN110 big



| | |
|--------------------|---------------|
| Quantity (packing) | 30 pcs |
| Quantity (pallet) | 480 pcs |
| Material | polypropylene |

A991

WC connector straight



| | |
|--------------------|---------------|
| Quantity (packing) | 35 pcs |
| Quantity (pallet) | 560 pcs |
| Material | polypropylene |

A991-20

WC connector eccentric 20 mm



| | |
|--------------------|---------------|
| Quantity (packing) | 35 pcs |
| Quantity (pallet) | 560 pcs |
| Material | polypropylene |

A991-40

WC connector eccentric 40 mm



| | |
|--------------------|---------------|
| Quantity (packing) | 35 pcs |
| Quantity (pallet) | 560 pcs |
| Material | polypropylene |

A99

WC collar straight



| | |
|--------------------|---------|
| Quantity (packing) | 50 pcs |
| Quantity (pallet) | 800 pcs |
| Material | PVC |

A990

WC collar eccentric



| | |
|--------------------|---------|
| Quantity (packing) | 50 pcs |
| Quantity (pallet) | 800 pcs |
| Material | PVC |

APH40

Air admittance valve DN40



| | |
|--------------------|---------------|
| Quantity (packing) | 300 pcs |
| Quantity (pallet) | 4800 pcs |
| Material | polypropylene |

APH50

Air admittance valve DN50



| | |
|--------------------|---------------|
| Quantity (packing) | 50 pcs |
| Quantity (pallet) | 1200 pcs |
| Material | polypropylene |

APH75

Air admittance valve DN75



| | |
|--------------------|---------------|
| Quantity (packing) | 50 pcs |
| Quantity (pallet) | 800 pcs |
| Material | polypropylene |

APH110

Air admittance valve DN110



| | |
|--------------------|---------------|
| Quantity (packing) | 50 pcs |
| Quantity (pallet) | 800 pcs |
| Material | polypropylene |

AVD001

Bath access door 150x150, white



| | |
|--------------------|---------------|
| Quantity (packing) | 60 pcs |
| Quantity (pallet) | 760 pcs |
| Material | polypropylene |

AVD002

Bath access door 150x300, white



| | |
|--------------------|---------------|
| Quantity (packing) | 30 pcs |
| Quantity (pallet) | 360 pcs |
| Material | polypropylene |

AVD003

Bath access door 300x300, white



| | |
|--------------------|---------------|
| Quantity (packing) | 16 pcs |
| Quantity (pallet) | 96 pcs |
| Material | polypropylene |

AVD004

Bath access door magnetic (under the tiles), adjustable height



| | |
|--------------------|---------|
| Quantity (packing) | 100 pcs |
| Quantity (pallet) | - |
| Material | metal |

AVD005

Bath access door magnetic (under the tiles), basic



| | |
|--------------------|---------|
| Quantity (packing) | 100 pcs |
| Quantity (pallet) | - |
| Material | metal |

PM01006EN

Acrylic large showcase for bathtub waste and traps



PM01003EN

Acrylic large showcase for reduced shower wastes and traps



PM01005UNI

Acrylic stand for fill and flush valves



PM02019-AM101

Wooden stand for pre-wall installation system and flush plates



PM02018UNI

Stand for APZ13



PM02001UNI

Stand for stainless steel linear shower drains



PM02002EN

Stand for plastic linear shower drains



PM02004EN

Large stand for plastic linear shower drains



PM02015EN

Stand for plastic linear shower drains



PM02016UNI

Design grids sample book



PM03004UNI

Stand for WC seats



PM03007EN

Stand for outdoor drains



Table of size variants for bath wastes and traps

| L=570 ■ Hmax=370 | L=800 ■ Hmax=600 | L=1000 ■ Hmax=800 | L=1200 ■ Hmax=1000 |
|------------------|------------------|-------------------|--------------------|
| A501 | - | - | - |
| A502 | - | - | - |
| A504KM | A504KM-80 | A504KM-100 | A504KM-120 |
| - | A504CKM-80 | A504CKM-100 | A504CKM-120 |
| A505CRM | A505CRM-80 | A505CRM-100 | A505CRM-120 |
| A505KM | A505KM-80 | A505KM-100 | A505KM-120 |
| A507BLACK | A507BLACK-80 | A507BLACK-100 | A507BLACK-120 |
| A507CKM | A507CKM-80 | A507CKM-100 | A507CKM-120 |
| A507KM | A507KM-80 | A507KM-100 | A507KM-120 |
| A51B | A51B-80 | A51B-100 | A51B-120 |
| A51BM | A51BM-80 | A51BM-100 | A51BM-120 |
| A51CR | A51CR-80 | A51CR-100 | A51CR-120 |
| A51CRM | A51CRM-80 | A51CRM-100 | A51CRM-120 |
| A516CKM | A516CKM-80 | A516CKM-100 | A516CKM-120 |
| A516KM | A516KM-80 | A516KM-100 | A516KM-120 |
| A553K | A553K-80 | A553K-100 | A553K-120 |
| A553KM1 | A553KM1-80 | A553KM1-100 | A553KM1-120 |
| A55ANTIC | A55ANTIC-80 | A55ANTIC-100 | A55ANTIC-120 |
| A55BLACK | A55BLACK-80 | A55BLACK-100 | A55BLACK-120 |
| A55K | A55K-80 | A55K-100 | A55K-120 |
| A55KM | A55KM-80 | A55KM-100 | A55KM-120 |
| A566-112122-57 | A566-112122-80 | A566-112122-100 | A566-112122-120 |

| Lmax=230 ■ Hmax=400 | Lmax=260 ■ Hmax=550 | Lmax=280 ■ Hmax=750 | Lmax=320 ■ Hmax=950 |
|---------------------|---------------------|---------------------|---------------------|
| A550K | A550K-80 | A550K-100 | A550K-120 |
| A550KM | A550KM-80 | A550KM-100 | A550KM-120 |

These products can be found on pages 124–127

Table of size variants for bath wastes and traps with an overflow filler mechanism

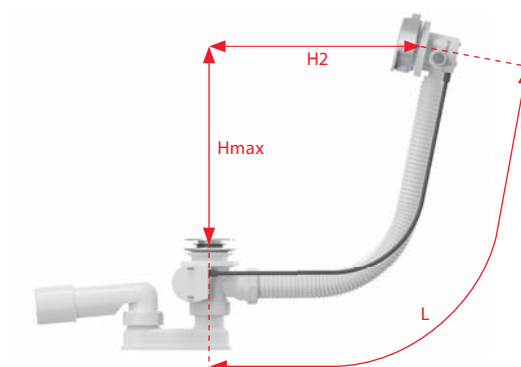
| L=570 ■ Hmax=370 | L=800 ■ Hmax=600 | L=1000 ■ Hmax=800 | L=1200 ■ Hmax=1000 |
|------------------|------------------|-------------------|--------------------|
| A508KM | A508KM-80 | A508KM-100 | A508KM-120 |
| A509KM | A509KM-80 | A509KM-100 | A509KM-120 |
| A564BLACK | A564BLACK-80 | A564BLACK-100 | A564BLACK-120 |
| A564CRM1 | A564CRM1-80 | A564CRM1-100 | A564CRM1-120 |
| A564CRM2 | A564CRM2-80 | A564CRM2-100 | A564CRM2-120 |
| A564CRM3 | A564CRM3-80 | A564CRM3-100 | A564CRM3-120 |
| A564KM1 | A564KM1-80 | A564KM1-100 | A564KM1-120 |
| A564KM3 | A564KM3-80 | A564KM3-100 | A564KM3-120 |
| A565CRM1 | A565CRM1-80 | A565CRM1-100 | A565CRM1-120 |
| A565CRM2 | A565CRM2-80 | A565CRM2-100 | A565CRM2-120 |
| A565CRM3 | A565CRM3-80 | A565CRM3-100 | A565CRM3-120 |
| A565KM1 | A565KM1-80 | A565KM1-100 | A565KM1-120 |
| A565KM3 | A565KM3-80 | A565KM3-100 | A565KM3-120 |
| A566-273133-57 | A566-273133-80 | A566-273133-100 | A566-273133-120 |

These products can be found on pages 128–130

Determining the length of ALCA bath wastes

Determining the necessary length of the bath waste for different bathtub models is very easy. The waste hole in the bottom of the tub and an overflow opening in the wall of the tub are combined perpendiculars (Hmax and H2). By adding the perpendicular lines, then we get the desired waste length (L).

$$H_{max} + H_2 = L$$



Maximum bathtub wall thickness for each type of bath waste and trap

| Bath wastes and traps | Bathtub wall thickness around the waste (mm) | Bathtub wall thickness around the overflow (mm) | Bath wastes and traps | Bathtub wall thickness around the waste (mm) | Bathtub wall thickness around the overflow (mm) |
|-----------------------|--|---|-----------------------|--|---|
| A507BLACK | 12 | 4-16 | A564CRM2 | 2-10 | 10 |
| A55BLACK | 2-10 | 10 | A564CRM3 | 2-10 | 10 |
| A553K | 2-10 | 10 | A564KM1 | 2-10 | 10 |
| A553KM1 | 2-10 | 10 | A564KM3 | 2-10 | 10 |
| A501 | 13 | 10 | A564BLACK | 2-10 | 10 |
| A502 | 13 | 10 | A565CRM1 | 10-18 | 12-26 |
| A51B | 2-10 | 10 | A565CRM2 | 10-18 | 12-26 |
| A51BM | 2-10 | 10 | A565CRM3 | 10-18 | 12-26 |
| A51CR | 2-10 | 10 | A565KM1 | 10-18 | 12-26 |
| A51CRM | 2-10 | 10 | A565KM3 | 10-18 | 12-26 |
| A55K | 2-10 | 10 | A516CKM | 8 | 4-16 |
| A55ANTIC | 2-10 | 10 | A516KM | 8 | 4-6 |
| A55KM | 2-10 | 10 | A566-112122-57 | 2-10 | 10 |
| A550K | 2-10 | 10 | A566-112122-80 | 2-10 | 10 |
| A550KM | 2-10 | 10 | A566-112122-100 | 2-10 | 10 |
| A504KM | 12 | 4-16 | A566-112122-120 | 2-10 | 10 |
| A507KM | 12 | 4-16 | A566-273133-57 | 2-10 | 10 |
| A505CRM | 12 | 4-16 | A566-273133-80 | 2-10 | 10 |
| A505KM | 12 | 4-16 | A566-273133-100 | 2-10 | 10 |
| A508KM | 2-10 | 4-16 | A566-273133-120 | 2-10 | 10 |
| A509KM | 10-18 | 4-16 | | | |
| A564CRM1 | 2-10 | 10 | | | |

Table of variants for shower drains and grids

| Width of the shower corner (mm) | | | | | | | | |
|---------------------------------|-----|-----|-----|-----|------|------|------|------|
| - | 600 | 700 | 800 | 900 | 1000 | 1100 | 1200 | 1500 |

Linear shower drains: APZ13

| | | | | | | | | |
|---|---|---|-----------|-----------|-----------|---|---|---|
| - | - | - | APZ13-750 | APZ13-850 | APZ13-950 | - | - | - |
|---|---|---|-----------|-----------|-----------|---|---|---|

Grids for: APZ13

| | | | | | | | | |
|---|---|---|-------------|-------------|-------------|---|---|---|
| - | - | - | INSERT-750 | INSERT-850 | INSERT-950 | - | - | - |
| - | - | - | CODE-750L | CODE-850L | CODE-950L | - | - | - |
| - | - | - | CODE-750M | CODE-850M | CODE-950M | - | - | - |
| - | - | - | ROUTE-750L | ROUTE-850L | ROUTE-950L | - | - | - |
| - | - | - | ROUTE-750M | ROUTE-850M | ROUTE-950M | - | - | - |
| - | - | - | SMILE-750L | SMILE-850L | SMILE-950L | - | - | - |
| - | - | - | SMILE-750M | SMILE-850M | SMILE-950M | - | - | - |
| - | - | - | ZIP-750L | ZIP-850L | ZIP-950L | - | - | - |
| - | - | - | ZIP-750M | ZIP-850M | ZIP-950M | - | - | - |
| - | - | - | SPACE-750M | SPACE-850M | SPACE-950M | - | - | - |
| - | - | - | STREAM-750M | STREAM-850M | STREAM-950M | - | - | - |

Linear shower drains: APZ13-DOUBLE9 (grid is included)

| | | | | | | | | |
|---|---|---|-------------------|-------------------|-------------------|---|---|---|
| - | - | - | APZ13-DOUBLE9-750 | APZ13-DOUBLE9-850 | APZ13-DOUBLE9-950 | - | - | - |
|---|---|---|-------------------|-------------------|-------------------|---|---|---|

Linear shower drains: APZ1, APZ1BLACK, APZ101, APZ101BLACK, APZ1001, APZ1101, APZ4, APZ104, APZ1004, APZ1104, APZ2001, APZ12, APZ22, APZ2012, APZ2022

| | | | | | | | | |
|-----------------|-----------------|-----------------|-----------------|-----------------|-----------------|------------------|------------------|------------------|
| APZ1-300 | APZ1-550 | APZ1-650 | APZ1-750 | APZ1-850 | APZ1-950 | APZ1-1050 | APZ1-1150 | APZ1-1450 |
| APZ1BLACK-300 | APZ1BLACK-550 | APZ1BLACK-650 | APZ1BLACK-750 | APZ1BLACK-850 | APZ1BLACK-950 | APZ1BLACK-1050 | APZ1BLACK-1150 | APZ1BLACK-1450 |
| - | - | - | APZ1S-750 | APZ1S-850 | APZ1S-950 | - | - | - |
| APZ101-300 | APZ101-550 | APZ101-650 | APZ101-750 | APZ101-850 | APZ101-950 | APZ101-1050 | APZ101-1150 | APZ101-1450 |
| APZ101BLACK-300 | APZ101BLACK-550 | APZ101BLACK-650 | APZ101BLACK-750 | APZ101BLACK-850 | APZ101BLACK-950 | APZ101BLACK-1050 | APZ101BLACK-1150 | APZ101BLACK-1450 |
| - | - | - | APZ101S-750 | APZ101S-850 | APZ101S-950 | - | - | - |
| - | APZ4-550 | APZ4-650 | APZ4-750 | APZ4-850 | APZ4-950 | APZ4-1050 | APZ4-1150 | - |
| - | APZ104-550 | APZ104-650 | APZ104-750 | APZ104-850 | APZ104-950 | APZ104-1050 | APZ104-1150 | - |
| APZ1001-300 | APZ1001-550 | APZ1001-650 | APZ1001-750 | APZ1001-850 | APZ1001-950 | APZ1001-1050 | APZ1001-1150 | - |
| APZ1101-300 | APZ1101-550 | APZ1101-650 | APZ1101-750 | APZ1101-850 | APZ1101-950 | APZ1101-1050 | APZ1101-1150 | - |
| - | APZ1004-550 | APZ1004-650 | APZ1004-750 | APZ1004-850 | APZ1004-950 | APZ1004-1050 | APZ1004-1150 | - |
| - | APZ1104-550 | APZ1104-650 | APZ1104-750 | APZ1104-850 | APZ1104-950 | APZ1104-1050 | APZ1104-1150 | - |
| APZ2001-300 | APZ2001-550 | APZ2001-650 | APZ2001-750 | APZ2001-850 | APZ2001-950 | APZ2001-1050 | APZ2001-1150 | - |
| - | - | - | APZ12-750 | APZ12-850 | APZ12-950 | APZ12-1050 | - | - |
| - | - | - | APZ22-750 | APZ22-850 | APZ22-950 | - | - | - |
| - | APZ2012-550 | APZ2012-650 | APZ2012-750 | APZ2012-850 | - | - | - | - |
| - | APZ2022-550 | APZ2022-650 | APZ2022-750 | APZ2022-850 | - | - | - | - |

Grids for: APZ11, APZ1BLACK, APZ101, APZ101BLACK, APZ1001, APZ1101, APZ4, APZ104, APZ1004, APZ1104, APZ2001, APZ12, APZ22, APZ2012, APZ2022

| | | | | | | | | |
|-----------|-----------|-----------|-----------|-----------|-----------|------------|------------|------------|
| LINE-300L | LINE-550L | LINE-650L | LINE-750L | LINE-850L | LINE-950L | LINE-1050L | LINE-1150L | LINE-1450L |
| LINE-300M | LINE-550M | LINE-650M | LINE-750M | LINE-850M | LINE-950M | LINE-1050M | LINE-1150M | LINE-1450M |

| | | | | | | | | |
|----------------|----------------|----------------|----------------|----------------|----------------|-----------------|-----------------|-----------------|
| PURE-300L | PURE-550L | PURE-650L | PURE-750L | PURE-850L | PURE-950L | PURE-1050L | PURE-1150L | PURE-1450L |
| PURE-300M | PURE-550M | PURE-650M | PURE-750M | PURE-850M | PURE-950M | PURE-1050M | PURE-1150M | PURE-1450M |
| PURE BLACK-300 | PURE BLACK-550 | PURE BLACK-650 | PURE BLACK-750 | PURE BLACK-850 | PURE BLACK-950 | PURE BLACK-1050 | PURE BLACK-1150 | PURE BLACK-1450 |
| CUBE-300L | CUBE-550L | CUBE-650L | CUBE-750L | CUBE-850L | CUBE-950L | CUBE-1050L | CUBE-1150L | - |
| CUBE-300M | CUBE-550M | CUBE-650M | CUBE-750M | CUBE-850M | CUBE-950M | CUBE-1050M | CUBE-1150M | - |
| HOPE-300L | HOPE-550L | HOPE-650L | HOPE-750L | HOPE-850L | HOPE-950L | HOPE-1050L | HOPE-1150L | - |
| HOPE-300M | HOPE-550M | HOPE-650M | HOPE-750M | HOPE-850M | HOPE-950M | HOPE-1050M | HOPE-1150M | - |
| BUBLE-300L | BUBLE-550L | BUBLE-650L | BUBLE-750L | BUBLE-850L | BUBLE-950L | BUBLE-1050L | BUBLE-1150L | BUBLE-1450L |
| BUBLE-300M | BUBLE-550M | BUBLE-650M | BUBLE-750M | BUBLE-850M | BUBLE-950M | BUBLE-1050M | BUBLE-1150M | BUBLE-1450M |
| DREAM-300L | DREAM-550L | DREAM-650L | DREAM-750L | DREAM-850L | DREAM-950L | DREAM-1050L | DREAM-1150L | - |
| DREAM-300M | DREAM-550M | DREAM-650M | DREAM-750M | DREAM-850M | DREAM-950M | DREAM-1050M | DREAM-1150M | - |

Grids for: APZ12, APZ22, APZ2012, APZ2022

| | | | | | | | | |
|---|------------|------------|------------|------------|------------|-------------|---|---|
| - | TILE-550 | TILE-650 | TILE-750 | TILE-850 | TILE-950 | TILE-1050 | - | - |
| - | SOLID-550M | SOLID-650M | SOLID-750M | SOLID-850M | SOLID-950M | SOLID-1050M | - | - |

Linear shower drains: APZ6, APZ106, APZ1006, APZ1106, APZ16, APZ116, APZ1016, APZ1116

| | | | | | | | | |
|-------------|-------------|-------------|-------------|-------------|-------------|--------------|--------------|---|
| APZ6-300 | APZ6-550 | APZ6-650 | APZ6-750 | APZ6-850 | APZ6-950 | APZ6-1050 | APZ6-1150 | - |
| APZ106-300 | APZ106-550 | APZ106-650 | APZ106-750 | APZ106-850 | APZ106-950 | APZ106-1050 | APZ106-1150 | - |
| APZ1006-300 | APZ1006-550 | APZ1006-650 | APZ1006-750 | APZ1006-850 | APZ1006-950 | APZ1006-1050 | APZ1006-1150 | - |
| APZ1106-300 | APZ1106-550 | APZ1106-650 | APZ1106-750 | APZ1106-850 | APZ1106-950 | APZ1106-1050 | APZ1106-1150 | - |
| APZ16-300 | APZ16-550 | APZ16-650 | APZ16-750 | APZ16-850 | APZ16-950 | APZ16-1050 | APZ16-1150 | - |
| APZ116-300 | APZ116-550 | APZ116-650 | APZ116-750 | APZ116-850 | APZ116-950 | APZ116-1050 | APZ116-1150 | - |
| APZ1016-300 | APZ1016-550 | APZ1016-650 | APZ1016-750 | APZ1016-850 | APZ1016-950 | APZ1016-1050 | APZ1016-1150 | - |
| APZ1116-300 | APZ1116-550 | APZ1116-650 | APZ1116-750 | APZ1116-850 | APZ1116-950 | APZ1116-1050 | APZ1116-1150 | - |

Grids for: APZ106, APZ1006, APZ1106, APZ16, APZ116, APZ1016, APZ1116

| | | | | | | | | |
|-----------------|-----------------|-----------------|-----------------|-----------------|-----------------|------------------|------------------|---|
| DESIGN-300LN | DESIGN-550LN | DESIGN-650LN | DESIGN-750LN | DESIGN-850LN | DESIGN-950LN | DESIGN-1050LN | DESIGN-1150LN | - |
| DESIGN-300MN | DESIGN-550MN | DESIGN-650MN | DESIGN-750MN | DESIGN-850MN | DESIGN-950MN | DESIGN-1050MN | DESIGN-1150MN | - |
| DESIGN-300ANTIC | DESIGN-550ANTIC | DESIGN-650ANTIC | DESIGN-750ANTIC | DESIGN-850ANTIC | DESIGN-950ANTIC | DESIGN-1050ANTIC | DESIGN-1150ANTIC | - |
| POSH-300MN | POSH-550MN | POSH-650MN | POSH-750MN | POSH-850MN | POSH-950MN | POSH-1050MN | POSH-1150MN | - |
| GL1200-300 | GL1200-550 | GL1200-650 | GL1200-750 | GL1200-850 | GL1200-950 | GL1200-1050 | GL1200-1150 | - |
| GL1202-300 | GL1202-550 | GL1202-650 | GL1202-750 | GL1202-850 | GL1202-950 | GL1202-1050 | GL1202-1150 | - |
| GL1204-300 | GL1204-550 | GL1204-650 | GL1204-750 | GL1204-850 | GL1204-950 | GL1204-1050 | GL1204-1150 | - |
| MI1200-300 | MI1200-550 | MI1200-650 | MI1200-750 | MI1200-850 | MI1200-950 | MI1200-1050 | MI1200-1150 | - |
| MI1205-300 | MI1205-550 | MI1205-650 | MI1205-750 | MI1205-850 | MI1205-950 | MI1205-1050 | MI1205-1150 | - |
| MI1206-300 | MI1206-550 | MI1206-650 | MI1206-750 | MI1206-850 | MI1206-950 | MI1206-1050 | MI1206-1150 | - |
| MI1207-300 | MI1207-550 | MI1207-650 | MI1207-750 | MI1207-850 | MI1207-950 | MI1207-1050 | MI1207-1150 | - |
| FLOOR-300 | FLOOR-550 | FLOOR-650 | FLOOR-750 | FLOOR-850 | FLOOR-950 | FLOOR-1050 | FLOOR-1150 | - |
| GAP-300M | GAP-550M | GAP-650M | GAP-750M | GAP-850M | GAP-950M | GAP-1050M | GAP-1150M | - |

Linear shower drains: APZ11, APZ111, APZ1011, APZ1111 (grid is included)

| | | | | | | | | |
|--------------|--------------|--------------|--------------|--------------|--------------|---------------|---------------|---|
| APZ11-300L | APZ11-550L | APZ11-650L | APZ11-750L | APZ11-850L | APZ11-950L | APZ11-1050L | APZ11-1150L | - |
| APZ11-300M | APZ11-550M | APZ11-650M | APZ11-750M | APZ11-850M | APZ11-950M | APZ11-1050M | APZ11-1150M | - |
| APZ111-300L | APZ111-550L | APZ111-650L | APZ111-750L | APZ111-850L | APZ111-950L | APZ111-1050L | APZ111-1150L | - |
| APZ111-300M | APZ111-550M | APZ111-650M | APZ111-750M | APZ111-850M | APZ111-950M | APZ111-1050M | APZ111-1150M | - |
| APZ1011-300L | APZ1011-550L | APZ1011-650L | APZ1011-750L | APZ1011-850L | APZ1011-950L | APZ1011-1050L | APZ1011-1150L | - |
| APZ1011-300M | APZ1011-550M | APZ1011-650M | APZ1011-750M | APZ1011-850M | APZ1011-950M | APZ1011-1050M | APZ1011-1150M | - |
| APZ1111-300L | APZ1111-550L | APZ1111-650L | APZ1111-750L | APZ1111-850L | APZ1111-950L | APZ1111-1050L | APZ1111-1150L | - |
| APZ1111-300M | APZ1111-550M | APZ1111-650M | APZ1111-750M | APZ1111-850M | APZ1111-950M | APZ1111-1050M | APZ1111-1150M | - |

Waste system: APZ5 (the cover is included in the waste system)

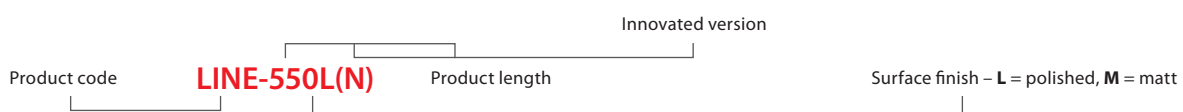
| | | | | | | | | |
|---|---|----------------|----------------|----------------|----------------|-----------------|---|---|
| - | - | APZ5-EDEN-650 | APZ5-EDEN-750 | APZ5-EDEN-850 | APZ5-EDEN-950 | APZ5-EDEN-1050 | - | - |
| - | - | APZ5-SHADE-650 | APZ5-SHADE-750 | APZ5-SHADE-850 | APZ5-SHADE-950 | APZ5-SHADE-1050 | - | - |
| - | - | APZ5-TWIN-650 | APZ5-TWIN-750 | APZ5-TWIN-850 | APZ5-TWIN-950 | APZ5-TWIN-1050 | - | - |

Plastic linear shower drains: APZ8, APZ9, APZ10, APZ18 (grid is included)

| | | | | | | | | |
|---|------------|------------|------------|------------|------------|---|---|---|
| - | APZ8-550M | APZ8-650M | APZ8-750M | APZ8-850M | APZ8-950M | - | - | - |
| - | APZ9-550M | APZ9-650M | APZ9-750M | APZ9-850M | APZ9-950M | - | - | - |
| - | APZ10-550M | APZ10-650M | APZ10-750M | APZ10-850M | APZ10-950M | - | - | - |
| - | APZ18-550M | APZ18-650M | APZ18-750M | APZ18-850M | APZ18-950M | - | - | - |

ARZ1 – grids TIME, LIFE, GRACE, TRITON, VIEW

These products can be found on pages 64–84



Swimming pool gratings variants

| Grid name | Type of grid | Height of the grid (mm) | Width of the grid (mm) | Grid length (mm) | Grid code | |
|-----------|-------------------|-------------------------|------------------------|------------------|----------------|----------------|
| AP1 | Without anti-slip | 25 | 195 | 1 000 | AP1-195/1000 | |
| | | | 245 | 1 000 | AP1-245/1000 | |
| | | | 295 | 1 000 | AP1-295/1000 | |
| AP2 | | 35 | 195 | 1 000 | AP2-195/1000 | |
| | | | 245 | 1 000 | AP2-245/1000 | |
| | | | 295 | 1 000 | AP2-295/1000 | |
| AP3 | | With anti-slip | 25 | 195 | 1 000 | AP3-195/1000 |
| | | | | 245 | 1 000 | AP3-245/1000 |
| | | | | 295 | 1 000 | AP3-295/1000 |
| AP4 | 35 | | 195 | 1 000 | AP4-195/1000 | |
| | | | 245 | 1 000 | AP4-245/1000 | |
| | | | 295 | 1 000 | AP4-295/1000 | |
| AP1R | Without anti-slip | | 25 | 195 | 1 000 | AP1-195-R/1000 |
| | | | | 245 | 1 000 | AP1-245-R/1000 |
| | | | | 295 | 1 000 | AP1-295-R/1000 |
| AP2R | | 35 | 195 | 1 000 | AP2-195-R/1000 | |
| | | | 245 | 1 000 | AP2-245-R/1000 | |
| | | | 295 | 1 000 | AP2-295-R/1000 | |
| AP3R | | With anti-slip | 25 | 195 | 1 000 | AP3-195-R/1000 |
| | | | | 245 | 1 000 | AP3-245-R/1000 |
| | | | | 295 | 1 000 | AP3-295-R/1000 |
| AP4R | 35 | | 195 | 1 000 | AP4-195-R/1000 | |
| | | | 245 | 1 000 | AP4-245-R/1000 | |
| | | | 295 | 1 000 | AP4-295-R/1000 | |

These products can be found on page 86

| Code | Page | Code | Page | Code | Page | Code | Page |
|--------------|------|---------------|----------|----------------|------|-----------|------|
| A02 | 43 | A41 | 136 | A51B | 124 | A90-90 | 160 |
| A03 | 43 | A410 | 136 | A51BM | 124 | A90-90P40 | 160 |
| A03A | 43 | A410P | 136 | A51CR | 124 | A91-150 | 161 |
| A05 | 43 | A411 | 136 | A51CRM | 124 | A91-250 | 161 |
| A06 | 44 | A412-DN40 | 136 | A52 | 132 | A91-400 | 161 |
| A06/850 | 44 | A413 | 136 | A53-6/4" | 130 | A92 | 161 |
| A06E | 44 | A41P | 136 | A53-7/4" | 131 | A93-1/2" | 44 |
| A07 | 44 | A41PR | 137 | A53-DN40 | 130 | A93-3/8" | 44 |
| A08A | 43 | A41R | 136 | A53-DN50 | 130 | A94-1/2" | 44 |
| A09A | 44 | A42 | 136 | A531 | 131 | A94-3/8" | 44 |
| A09B | 44 | A420 | 136 | A532-DN50 | 131 | A95 | 45 |
| A104/1000 | 35 | A420P | 136 | A533-DN50 | 131 | A950 | 45 |
| A104/1120 | 34 | A421 | 136 | A550K | 125 | A97 | 160 |
| A104/1200 | 34 | A42P | 136 | A550KM | 125 | A970 | 160 |
| A104/850 | 35 | A42R | 137 | A553K | 126 | A97L | 160 |
| A104A/1120 | 34 | A43 | 137 | A553KM1 | 126 | A97SN | 160 |
| A104A/1200 | 34 | A430 | 137 | A55ANTIC | 125 | A98 | 161 |
| A104AVS/1120 | 34 | A430P | 137 | A55BLACK | 125 | A980 | 161 |
| A104AVS/1200 | 34 | A431 | 141 | A55K | 125 | A99 | 162 |
| A104B/1120 | 35 | A432 | 141 | A55KM | 125 | A990 | 162 |
| A104B/1200 | 35 | A4320 | 141 | A564BLACK | 129 | A991 | 161 |
| A104PB/1120 | 35 | A4320BLACK | 141 | A564CRM1 | 128 | A991-20 | 161 |
| A105/1000 | 36 | A434 | 137 | A564CRM2 | 128 | A991-40 | 161 |
| A105/1120 | 36 | A437 | 141 | A564CRM3 | 128 | AC01 | 20 |
| A105/1200 | 35 | A438 | 141 | A564KM1 | 128 | ADZ-P001 | 94 |
| A105/450 | 36 | A438 | 150 | A564KM3 | 129 | ADZ-P002 | 95 |
| A105/850 | 36 | A439 | 138 | A565CRM1 | 129 | ADZ-P003 | 94 |
| A106/1120 | 36 | A43P | 137 | A565CRM2 | 129 | ADZ-P004 | 95 |
| A106/1200 | 36 | A441-DN50/40 | 142 | A565CRM3 | 129 | ADZ-P005 | 94 |
| A107/1120 | 37 | A441P-DN50/40 | 142 | A565KM1 | 129 | ADZ-P006 | 95 |
| A107/1200 | 37 | A442-DN50/40 | 142 | A565KM3 | 130 | ADZ-P007 | 94 |
| A107S/1200 | 37 | A442P-DN50/40 | 142 | A566-112122-57 | 130 | ADZ-P008 | 95 |
| A108/1300 | 37 | A443-DN50/40 | 145 | A566-273133-57 | 130 | ADZ-P011 | 94 |
| A108F/1100 | 37 | A443P-DN50/40 | 145 | A60 | 52 | ADZ-P012 | 95 |
| A108F/1500 | 37 | A444-DN50/40 | 142 | A601 | 54 | ADZ-R101 | 94 |
| A113/1120 | 38 | A444P-DN50/40 | 142 | A601 BAHAMA | 54 | ADZ-R101R | 96 |
| A113/1200 | 38 | A446-DN50/40 | 142 | A601 PERGAMON | 54 | ADZ-R102 | 94 |
| A114/1120 | 38 | A446P-DN50/40 | 142 | A601 PISTACHIO | 54 | ADZ-R102R | 96 |
| A114/1200 | 38 | A447-DN50/40 | 142 | A602 | 54 | ADZ-R103 | 94 |
| A114S/1200 | 38 | A447P-DN50/40 | 143 | A603 | 54 | ADZ-R103R | 96 |
| A117B | 39 | A448-DN50/40 | 145 | A604 | 56 | ADZ-R121 | 95 |
| A117PB | 39 | A448P-DN50/40 | 145 | A604 BAHAMA | 56 | ADZ-R121R | 97 |
| A15-1/2" | 42 | A449-DN50/40 | 143 | A604 FLOWER | 57 | ADZ-R122 | 95 |
| A15-3/8" | 42 | A449P-DN50/40 | 143 | A604 PERGAMON | 56 | ADZ-R122R | 97 |
| A15P-1/2" | 42 | A44M-DN40 | 147 | A604 PISTACHIO | 56 | ADZ-R123 | 95 |
| A15P-3/8" | 42 | A44MN | 147 | A604 SHELL | 57 | ADZ-R123R | 97 |
| A16-1/2" | 42 | A44MS | 147 | A604 ZEN | 57 | ADZ-R301 | 94 |
| A16-3/8" | 42 | A453P | 143 | A606 | 56 | ADZ-R301R | 96 |
| A16M-3/8" | 42 | A454P | 143 | A64SLIM | 58 | ADZ-R302 | 94 |
| A16P-3/8" | 42 | A45A | 150 | A66 | 58 | ADZ-R302R | 96 |
| A17-1/2" | 42 | A45B | 150 | A67 | 58 | ADZ-R303 | 94 |
| A17-3/8" | 43 | A45C | 150 | A674S | 58 | ADZ-R303R | 96 |
| A18-1/2" | 43 | A45E | 150 | A67SLIM | 58 | ADZ-R304 | 94 |
| A18-3/8" | 43 | A45F-DN32 | 137, 150 | A68 | 52 | ADZ-R304R | 96 |
| A2000 | 43 | A45F-DN40 | 137, 150 | A710 | 156 | ADZ-R321 | 95 |
| A21 | 149 | A45G | 150 | A720 | 156 | ADZ-R321R | 97 |
| A22 | 149 | A46-50 | 133 | A730 | 156 | ADZ-R322 | 95 |
| A30 | 147 | A46-60 | 133 | A740 | 156 | ADZ-R322R | 97 |
| A300 | 147 | A461-50 | 132 | A750 | 156 | ADZ-R323 | 95 |
| A31 | 137 | A462-50 | 132 | A750+A31 | 138 | ADZ-R323R | 97 |
| A31P | 138 | A464-DN50 | 144 | A760 | 156 | ADZ-R324 | 95 |
| A32 | 137 | A465-50 | 132 | A770 | 156 | ADZ-R324R | 97 |
| A328B | 139 | A465BLACK-50 | 132 | A770+A33 | 146 | ADZ101V | 94 |
| A328CR | 139 | A466-50 | 132 | A780 | 156 | ADZ101VR | 96 |
| A33 | 146 | A471CR-50 | 135 | A791 | 156 | ADZ102V | 95 |
| A331 | 146 | A471CR-60 | 135 | A792 | 157 | ADZ102VR | 97 |
| A33P | 146 | A476-50 | 133 | A793 | 157 | ADZ301V | 94 |
| A34 | 146 | A47B-50 | 133 | A794 | 157 | ADZ301VR | 96 |
| A3550 | 52 | A47B-60 | 133 | A7990 | 157 | ADZ302V | 95 |
| A3551 | 52 | A47CR-50 | 133 | A7991 | 157 | ADZ302VR | 97 |
| A3553 | 52 | A47CR-60 | 134 | A7992 | 157 | ADZ331V | 94 |
| A37 | 146 | A48 | 134 | A7993 | 157 | ADZ331VR | 96 |
| A38 | 146 | A491CR | 135 | A80-DN40 | 145 | ADZ332V | 95 |
| A39 | 139 | A492CR | 135 | A80-DN50 | 145 | ADZ332VR | 97 |
| A390 | 139 | A49ANTIC | 135 | A800-DN40 | 143 | AEZ310 | 32 |
| A391 | 138 | A49B | 134 | A800-DN50 | 143 | AEZ311 | 32 |
| A392 | 138 | A49CR | 134 | A8000 | 144 | AEZ320 | 32 |
| A392ANTIC | 138 | A49K | 134 | A81-DN40 | 145 | AEZ331 | 32 |
| A392B | 138 | A49K MAT | 134 | A81-DN50 | 145 | AEZ340 | 32 |
| A392BLACK | 138 | A501 | 124 | A810-DN40 | 143 | AGV1 | 110 |
| A392C | 138 | A502 | 124 | A810-DN50 | 143 | AGV15 | 110 |
| A393 | 139 | A503KM | 131 | A82-DN40 | 145 | AGV2 | 110 |
| A394 | 139 | A504CKM | 126 | A82-DN50 | 145 | AGV25 | 110 |
| A395 | 139 | A504KM | 126 | A820-DN40 | 143 | AGV3 | 110 |
| A395B | 139 | A505CRM | 127 | A820-DN50 | 143 | AGV3S | 110 |
| A396 | 139 | A505KM | 127 | A83-DN50/40 | 145 | AGV4 | 110 |
| A400 | 140 | A506KM | 131 | A830-DN50/40 | 143 | AGV4S | 110 |
| A4000 | 141 | A507BLACK | 127 | A84-DN50/40 | 145 | AGV911 | 110 |
| A4000BLACK | 141 | A507CKM | 127 | A840-DN50/40 | 144 | AGV911S | 111 |
| A400ANTIC | 140 | A507KM | 127 | A870P-DN40 | 144 | AGV941 | 111 |
| A400BLACK | 140 | A508KM | 128 | A872P | 146 | AGV942 | 111 |
| A401 | 140 | A509KM | 128 | A873 | 146 | AHP80 | 81 |
| A402 | 140 | A516CKM | 126 | A90-22 | 160 | AIR | 29 |
| A403 | 141 | A516KM | 127 | A90-45 | 160 | AIR LIGHT | 29 |

| Code | Page | Code | Page | Code | Page | Code | Page |
|-------------|------|---------------|--------|---------------|----------------------------|--------------|----------------------------|
| AIR-INOX | 29 | APS3P | 152 | APZ8 | 82 | GRACE | 79 |
| AIZ1 | 120 | APS4 | 152 | APZ9 | 82 | HOPE | 68, 70, 72, 73, 80, 83, 84 |
| AIZ3 | 120 | APS5 | 152 | ARV001 | 140 | INSERT | 65 |
| AKS1 | 151 | APV0006 | 119 | ARV001-ANTIC | 140 | LIFE | 79 |
| AKS1Z | 151 | APV0010 | 119 | ARV001-BLACK | 140 | LINE | 68, 70, 72, 73, 80, 83, 84 |
| AKS2 | 151 | APV0020 | 119 | ARV002 | 140 | M147 | 21 |
| AKS3 | 151 | APV0030 | 119 | ARZ1 | 79 | M148 | 22 |
| AKS4 | 151 | APV0050 | 120 | ASP3 | 30 | M1710 | 29 |
| AKS5 | 151 | APV0060 | 120 | ASP3-B | 30 | M1710-8 | 29 |
| AKS6 | 151 | APV0800 | 120 | ASP3-K | 30 | M1713 | 29 |
| AKS7 | 151 | APV1 | 117 | ASP3-KB | 30 | M1718 | 29 |
| ALCA LIGHT | 78 | APV10 | 117 | ASP3-KBT | 30 | M1720-1 | 29 |
| AM100/1000 | 10 | APV101 | 115 | ASP3-KT | 30 | M1721 | 29 |
| AM100/1000E | 10 | APV102 | 115 | ASP4 | 30 | M1722 | 29 |
| AM100/850 | 11 | APV103 | 115 | ASP4-B | 30 | M1725 | 29 |
| AM101/1000 | 14 | APV11 | 118 | ASP4-K | 30 | M1728-2 | 29 |
| AM101/1120 | 13 | APV110 | 114 | ASP4-KB | 30 | M1741 | 29 |
| AM101/1120D | 14 | APV12 | 117 | ASP4-KT | 30 | M270 | 28 |
| AM101/1120E | 13 | APV120 | 114 | ATS001 | 150 | M271 | 28 |
| AM101/1120V | 13 | APV13 | 117 | AVD001 | 163 | M272 | 28 |
| AM101/1300H | 18 | APV130 | 114 | AVD002 | 163 | M275 | 28 |
| AM101/1500L | 18 | APV1311 | 116 | AVD003 | 163 | M278 | 28 |
| AM101/850 | 14 | APV1321 | 116 | AVD004 | 163 | M279 | 30 |
| AM102/1000 | 16 | APV1324 | 116 | AVD005 | 163 | M279S | 30 |
| AM102/1120 | 15 | APV15 | 118 | AVZ-P001 | 109 | M279S-SLIM | 30 |
| AM102/1120E | 16 | APV16 | 118 | AVZ-P002 | 109 | M279SB | 30 |
| AM102/1120V | 16 | APV2 | 117 | AVZ-P003 | 109 | M370 | 28 |
| AM102/850 | 17 | APV201 | 115 | AVZ-P004 | 109 | M370S | 30 |
| AM1101/1200 | 19 | APV202 | 115 | AVZ-P005 | 109 | M370S-SLIM | 30 |
| AM1112 | 19 | APV203 | 115 | AVZ-P006 | 109 | M370SB | 30 |
| AM1115/1000 | 19 | APV2311 | 116 | AVZ-P007 | 109 | M371 | 28 |
| AM112 | 10 | APV2321 | 116 | AVZ-P008 | 109 | M371S | 30 |
| AM115/1000 | 11 | APV2324 | 116 | AVZ-P009 | 109 | M371S-SLIM | 30 |
| AM115/1000E | 11 | APV26 | 116 | AVZ-P010 | 109 | M371SB | 30 |
| AM115/1000V | 12 | APV26C | 116 | AVZ-P012 | 109 | M372 | 28 |
| AM116/1120 | 17 | APV3 | 118 | AVZ-P013 | 109 | M375 | 28 |
| AM116/1300H | 18 | APV31 | 117 | AVZ101-R101 | 100 | M378 | 28 |
| AM118/1000 | 15 | APV32 | 117 | AVZ101-R121 | 105 | M470 | 28 |
| AM118/850 | 15 | APV3344 | 115 | AVZ101-R122 | 106 | M471 | 28 |
| AM119/1000 | 12 | APV3444 | 115 | AVZ101-R123 | 107 | M472 | 28 |
| AM119/850 | 12 | APV4 | 118 | AVZ101-R124 | 108 | M475 | 28 |
| AP1 | 86 | APV4344 | 115 | AVZ101-R321 | 105 | M478 | 28 |
| AP1R | 86 | APV4444 | 116 | AVZ101-R322 | 106 | M570 | 28 |
| AP2 | 86 | APV5111 | 118 | AVZ101-R323 | 107 | M571 | 28 |
| AP2R | 86 | APV5211 | 118 | AVZ101-R324 | 108 | M572 | 28 |
| AP3 | 86 | APV5411 | 117 | AVZ101R-R101S | 100 | M575 | 28 |
| AP4 | 86 | APV6111 | 118 | AVZ101R-R121R | 105 | M578 | 28 |
| AP4R | 86 | APV6211 | 118 | AVZ101R-R122R | 106 | M670 | 28 |
| AP4R | 86 | APV6411 | 117 | AVZ101R-R123R | 107 | M671 | 28 |
| APH110 | 162 | APZ 901M | 85 | AVZ101R-R124R | 108 | M672 | 28 |
| APH40 | 162 | APZ 902M | 85 | AVZ101R-R321R | 105 | M675 | 28 |
| APH50 | 162 | APZ 903M | 85 | AVZ101R-R322R | 106 | M678 | 28 |
| APH75 | 162 | APZ 904M | 85 | AVZ101R-R323R | 107 | M70 | 28 |
| APR1-1101 | 90 | APZ 905M | 85 | AVZ101R-R324R | 108 | M71 | 28 |
| APR1-1101S | 90 | APZ 906M | 85 | AVZ101S-R121R | 105 | M72 | 28 |
| APR1-1102 | 90 | APZ-512 | 64 | AVZ101S-R122R | 106 | M73 | 28 |
| APR1-1131 | 91 | APZ-56 | 64 | AVZ101S-R123R | 107 | M75 | 28 |
| APR1-1132 | 90 | APZ-59 | 64 | AVZ101S-R124R | 108 | M770 | 28 |
| APR1-1133 | 90 | APZ1 | 68 | AVZ101S-R321R | 105 | M771 | 28 |
| APR1-1134 | 90 | APZ10 | 82 | AVZ101S-R322R | 106 | M772 | 28 |
| APR1-1150 | 90 | APZ1001 | 68 | AVZ101S-R323R | 107 | M775 | 28 |
| APR1-1151 | 90 | APZ1004 | 72 | AVZ101S-R324R | 108 | M778 | 28 |
| APR1-1152 | 90 | APZ1006 | 74 | AVZ102-R102 | 100 | M90 | 22 |
| APR1-1201 | 90 | APZ101 | 68 | AVZ102-R103 | 102 | M900 | 21 |
| APR1-1201S | 90 | APZ1011 | 80 | AVZ102R-R102S | 100 | M9000 | 21 |
| APR1-1202 | 90 | APZ1016 | 76 | AVZ102R-R103S | 102 | M9006 | 20 |
| APR1-1231 | 91 | APZ101BLACK | 69 | AVZ103-R104 | 103 | M9006 | 160 |
| APR1-1232 | 90 | APZ101S | 70 | AVZ103-R201 | 104 | M901 | 21 |
| APR1-1233 | 90 | APZ104 | 72 | AVZ103-R202 | 103 | M902 | 22 |
| APR1-1234 | 90 | APZ106 | 74 | AVZ103-R403 | 102 | M906 | 21 |
| APR1-1250 | 90 | APZ11 | 80 | AVZ103R-R104S | 103 | M907 | 21 |
| APR1-1251 | 90 | APZ1101 | 68 | AVZ103R-R201 | 104 | M908 | 21 |
| APR1-1252 | 90 | APZ1104 | 72 | AVZ103R-R202 | 103 | M909 | 21 |
| APR1-P010 | 91 | APZ1106 | 74 | AVZ103R-R403 | 102 | M91 | 23 |
| APR1-P109 | 91 | APZ111 | 80 | AVZ104-R401 | 101 | M910 | 23 |
| APR2-1101 | 92 | APZ1111 | 80 | AVZ104-R402 | 101 | M910CR | 23 |
| APR2-1101S | 92 | APZ1116 | 76 | AVZ104R-R401 | 101 | M918 | 22 |
| APR2-1102 | 92 | APZ116 | 76 | AVZ104R-R402 | 101 | M920 | 23 |
| APR2-1131 | 92 | APZ12 | 83 | BUBLE | 68, 70, 72, 73, 80, 83, 84 | M930 | 23 |
| APR2-1150 | 92 | APZ13 | 64, 65 | CODE | 68, 70, 72, 73, 80, 83, 84 | M930CR | 23 |
| APR2-1151 | 92 | APZ13-DOUBLE9 | 66 | CUBE | 68, 70, 72, 73, 80, 83, 84 | M940 | 23 |
| APR2-1152 | 92 | APZ16 | 74, 76 | DESIGN | 74, 76 | M950 | 23 |
| APR2-1201 | 92 | APZ18 | 82 | DESIGN-ANTIC | 74, 76 | M11200 | 75, 77 |
| APR2-1201S | 92 | APZ1BLACK | 69 | DOUBLE | 67 | M11205 | 75, 77 |
| APR2-1202 | 92 | APZ1S | 70 | DREAM | 68, 70, 72, 73, 80, 83, 84 | M11206 | 75, 77 |
| APR2-1231 | 92 | APZ2001 | 73 | FLOOR | 75, 77 | M11207 | 75, 77 |
| APR2-1250 | 92 | APZ2012 | 84 | FUN | 29 | MPO10 | 31 |
| APR2-1251 | 92 | APZ2022 | 84 | FUN-ANTIC | 29 | MPO11 | 31 |
| APR2-1252 | 92 | APZ22 | 83 | FUN-INOX | 29 | MPO12 | 31 |
| APR2-P010 | 92 | APZ4 | 74 | FUN-WHITE | 29 | MPO13 | 31 |
| APR2-P109 | 92 | APZ5-EDEN | 78 | GAP | 74, 76 | MPV001 | 119 |
| APS1 | 152 | APZ5-SHADE | 78 | GL1200 | 75, 77 | MPV001-ANTIC | 119 |
| APS2 | 152 | APZ5-TWIN | 78 | GL1202 | 75, 77 | MPV002 | 119 |
| APS3 | 152 | APZ6 | 75, 77 | GL1204 | 75, 77 | MPV003 | 119 |

| Code | Page | Code | Page |
|--------------------|------------------------|---------------|------|
| MPV004 | 119 | WC ALCA | 20 |
| MPV011 | 114 | WC Alca MEDIC | 20 |
| MPV012 | 114 | WC RIMFLOW | 20 |
| MPV013 | 114 | WS ALCA | 20 |
| MPV014 | 114 | Z0003-ND | 149 |
| MPV015 | 114 | Z0004-ND | 149 |
| MPV016 | 114 | Z0026-ND | 149 |
| MS906 | 21 | Z0137B-ND | 60 |
| N0020-ND | 47 | Z0952-ND | 60 |
| NIGHT LIGHT-1 | 29 | ZIP | 65 |
| NIGHT LIGHT-1-SLIM | 29 | | |
| NIGHT LIGHT-2 | 29 | | |
| NIGHT LIGHT-2-SLIM | 29 | | |
| NIGHT LIGHT-3 | 29 | | |
| NIGHT LIGHT-3-SLIM | 29 | | |
| P0009-ND | 60 | | |
| P0014-ND | 47 | | |
| P0048-ND | 148 | | |
| P0049-ND | 148 | | |
| P046 | 144 | | |
| P047 | 144 | | |
| P066 | 137, 148 | | |
| P067 | 144, 148 | | |
| P095 | 81 | | |
| P096 | 60 | | |
| P102 | 56 | | |
| P103 | 20 | | |
| P105 | 60 | | |
| P105B | 60 | | |
| P106 | 60 | | |
| P106B | 60 | | |
| P109 | 144 | | |
| P113 | 60 | | |
| P115 | 20 | | |
| P118 | 22 | | |
| P120 | 31 | | |
| P128 | 20 | | |
| P138 | 84 | | |
| P142 | 84 | | |
| P143 | 64, 81 | | |
| P144 | 64, 66, 81 | | |
| P145 | 64, 81 | | |
| P148 | 148, 152 | | |
| P148Z | 148, 152 | | |
| P149Z | 148, 152 | | |
| P155Z | 148, 153 | | |
| P156Z | 148, 153 | | |
| POSH | 74, 76 | | |
| PURE | 68, 70, 72, 73, 83, 84 | | |
| PURE BLACK | 69 | | |
| ROUTE | 65 | | |
| S0156-ND | 149 | | |
| S0506-ND | 147 | | |
| S0507-ND | 147 | | |
| S0556-ND | 147 | | |
| S0688-ND | 149 | | |
| SA08A-1/2" | 46 | | |
| SA08A-3/8" | 46 | | |
| SA08AK-1/2" | 46 | | |
| SA08AK-3/8" | 46 | | |
| SA08AS-1/2" | 46 | | |
| SA08AS-3/8" | 46 | | |
| SA08ASK-1/2" | 46 | | |
| SA08ASK-3/8" | 47 | | |
| SA2000-1/2" | 45 | | |
| SA2000-3/8" | 45 | | |
| SA2000K-1/2" | 45 | | |
| SA2000K-3/8" | 45 | | |
| SA2000S-1/2" | 45 | | |
| SA2000S-3/8" | 45 | | |
| SA2000SK-1/2" | 46 | | |
| SA2000SK-3/8" | 46 | | |
| SMILE | 65 | | |
| SOLID | 83, 84 | | |
| SPACE | 65 | | |
| STING | 29 | | |
| STING-INOX | 29 | | |
| STREAM | 65 | | |
| STRIPE | 29 | | |
| STRIPE-BLACK | 29 | | |
| STRIPE-GL1200 | 29 | | |
| STRIPE-GL1204 | 29 | | |
| STRIPE-INOX | 29 | | |
| STRIPE-WHITE | 29 | | |
| TILE | 83, 84 | | |
| TIME | 79 | | |
| TRITON | 79 | | |
| TURN | 29 | | |
| TURN-INOX | 29 | | |
| V0011-ND | 47 | | |
| V0015-ND | 47 | | |
| V0018-ND | 47 | | |
| V0296-ND | 47 | | |
| VIEW | 79 | | |

The ALCAPLAST team of specialists is always on hand to help with design, installation and quote project prices!

Czech product
ISO 9001:2015

Edition 1/2019 EN, © Alca plast, s. r. o.
Changes in dimensions and designs reserved.



2011/305/EU including amendments
2014/30/EU including amendments
2014/35/EU including amendments
2011/65/EU including amendments

Alca PLAST[®]

CZECH REPUBLIC

Alca plast, s. r. o.
Bratislavská 2846, 690 02 Břeclav
tel.: +420 519 821 117 – Sales Dept. CZ
tel.: +420 519 821 141 – Export Dept.
fax: +420 519 821 083
e-mail: alcaplast@alcaplast.cz
www.alcaplast.com

